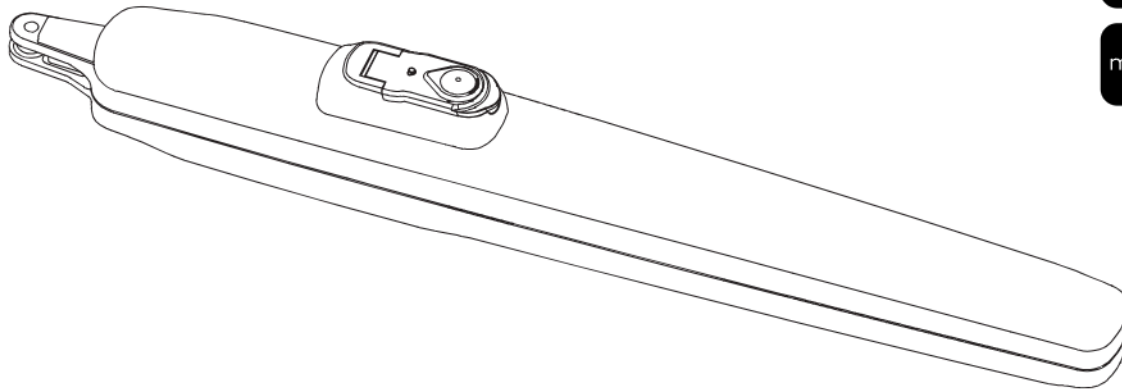


Merlin®



gomerlin.com.au

gomerlin.co.nz



compatible

Swing L 300 MGLX

Linear Actuator Gate Opener
(MGLSK / MGLDK / MGLSK-LV / MGLDK-LV)

Installation and Operating Instructions

Owners Copy: SAVE THESE INSTRUCTIONS for future reference

Visit the Swing L 300 landing pages for:

- Product features
- Purchase compatible accessories
- Handy tips & how-to videos
- Digital copy of this manual
- Register your warranty



This manual contains **IMPORTANT SAFETY** information
DO NOT PROCEED WITH THE INSTALLATION BEFORE READING THOROUGHLY



SAFETY INSTRUCTIONS

WARNING!

START BY READING THESE IMPORTANT SAFETY INSTRUCTIONS

- Failure to comply with the following instructions may result in serious personal injury or property damage.
- Read and follow all instructions carefully.
- The gate opener is designed and tested to offer safe service, provided it is installed and operated in strict accordance with the instructions in this manual.

About this Manual

These instructions are the original operating instructions according to the AS/NZS 60335.1 in conjunction with AS/NZS 60335.2.103. The instruction manual must be read carefully to understand important product information. Pay attention to the safety and warning notices.

Keep the instructions in a safe place and make sure that they can be viewed by the user at all times. Keep the manual for future reference and to make it available to all persons for inspection, service, maintenance and repair. After installation pass the complete documentation to the owner.

After installation and programming, all users must be instructed in the function and operation of the gate opener for correct and safe operation.

Before first use and based on the standard requirements the installer must inspect gates regarding their safe condition.

Before you begin the installation:

This product must be installed by a professional installer.




The installer must understand the following:

- The operation of the drive and potential hazards
- The operation of the manual emergency release mechanism
- The regular maintenance, inspection and care according to the Standards
- The installer must instruct other users on the safe operation of the gate opener

Please read the operating instructions and especially the precautions. The following symbols are placed in front of instructions to avoid personal injury or damage to property. Read these instructions carefully.

Warning Symbols

The general warning symbol indicates a danger that can lead to injuries or death. In the text section, the general warning symbols are used as described below.

DANGER Symbol	WARNING Symbol	CAUTION Symbol	ATTENTION Symbol
 DANGER	 WARNING	 CAUTION	ATTENTION
Indicates an imminent hazardous situation which, if not avoided, will result in death or serious injury.	Indicates a potentially hazardous situation which, if not avoided, could result in death or serious injury.	Indicates a potentially hazardous situation which, if not avoided, could result in minor or moderate injury.	Indicates practices not related to personal injury.

Intended Use

The gate opener is exclusively designed and tested for the operation of smooth-running residential gates.

The maximum permissible gate size and the maximum weight must not be exceeded. The gate must open and close smoothly by hand. Use the opener on gates which comply with the applicable Standards and guidelines. Regional conditions of wind loads must be taken into account when using door or gate panels. Observe the manufacturer's specifications regarding the combination of gate and opener. Possible hazards within the meaning of AS/NZS 60335.1 in conjunction with AS/NZS 60335.2.103 are to be avoided by designing and installing the gate according to the relevant instructions. This gate mechanism must be installed and operated in accordance with the appropriate safety rules.

Improper Use

The construction of the gate opener is not designed for the operation of heavy-duty gates. It is not permitted on gates that travel with incline/decline.

Any improper use of the gate opener could increase the risk of accidents. The manufacturer assumes no liability for such usage. With this gate opener, automated gates must comply with the current, valid local standards, guidelines and regulations, AS/NZS 60335.1 in conjunction with AS/NZS 60335.2.103.

Only Merlin genuine and approved accessories may be connected to the gate opener. Incorrect installation and/or failure to comply with the following instructions may result in serious personal injury or damage to property.

SAFETY INSTRUCTIONS

During operation, the gate should not under any circumstances obstruct public path ways and roads (public area). When using tools and small parts to install or carry out repair work on a gate, exercise caution and do not wear rings, watches or loose clothing.

To avoid serious personal injury due to entrapments, remove any locking device fitted to the gate in order to prevent damage to the gate.

Installation and wiring must be in compliance with your local building and electrical installation regulations. Power cables must only be connected to a properly earthed supply.

Disconnect electric power to the system before installation, maintenance, repairs or removing covers. A dual pole isolating switch must be provided to the mains power supply (permanently-wired installation) to guarantee all-pole disconnection (isolating switch or by a separate fuse). The repairs and electrical installations may be performed only by an authorized electrician. Emergency Stop Button must be installed for emergency case based on the risk assessment.

Any possible entrapment caused by the moving gate leaf(s) between gate & walls must be eliminated by respecting the given safety distances in accordance with the AS/NZS 60335.1 in conjunction with AS/NZS 60335.2.103 and/or with safety devices (e.g. safe edge).

Testing of the safety function of the drive system is recommended to be carried out at least once a month. Refer also to manufacturers instruction of the gate system components.

After the installation a final test of the full function of the system and the safety devices must be made.

After installation and commissioning, all users must be instructed in the function and operation of the swing gate opener.

It is important to make sure that the gate always runs smoothly. Gates which stick or jam must be repaired immediately. Employ a qualified technician to repair the gate, never attempt to repair it yourself. This device is not intended for use by persons (including children) with restricted physical, sensory or mental abilities or lack of experience or knowledge, unless they are supervised by a person responsible for their safety or have received instruction in how to use the device. If necessary, control equipment **MUST** be mounted within sight of the gate and out of reach of children. Children should be supervised to ensure that they do not play with the device. Do not allow children to operate push button(s) or remote(s). Misuse of the gate opener system can result in serious injury.



WARNING! Product includes wireless transmitters and wall controls that contain coin/button cell batteries. The Battery is hazardous. Keep wireless devices and batteries away from children. Battery can cause severe or fatal injuries in 2 hours or less if swallowed or placed inside any part of the body. Seek immediate medical attention if it is suspected that a coin/button cell battery has been swallowed or placed inside any part of the body.

CONTENTS

SAFETY INSTRUCTIONS	2-3
INTRODUCTION	5-10
Specifications	5
Sales Kit Inventory	5-6
Tools Needed	7
Overview of Gate Operator	7
Planning.....	8-10
INSTALLATION.....	11-14
Post Bracket Installation.....	11
Gate Bracket Installation	11
Hard Stops Installation	12
Release Mechanism.....	12
Install the Control Box.....	13
WIRING	14-16
Electrical Safety.....	14
Opener 1 and Opener 2 Connection.....	14
Wiring Diagram.....	15
Install Entrapment Protection Devices	16
Connect a Battery Backup to the Control Box (Optional)	16
PROGRAMMING	17-20
LCD Screen Menu.....	17
Programming Overview.....	17-18
Initial Setup.....	19
Limit and Force Learning	20
BASIC SETTINGS.....	21-26
Remote Control Behaviour.....	21
IR Behaviour.....	21
Input Command.....	22
Pedestrian Command.....	22
Delay Motor 2 in Open and Close Direction - Bi-Part Delay.....	23
Timer To Close (TTC)	23
Reversal Time	24
E-Lock & Ram Blow Motor 1 for E-Lock	24-25
Flashing Light - Pre-Flashing	25
Special Contact	26
Soft Start Duration in Open and Close Direction	26
Maintenance Counter	26
ADVANCED SETTINGS	27-29
Password	27-28
Force Motors 1 & 2 Open and Close (Password Protected)	28
Speed Motors 1 & 2 in Open and Close Direction (Password Protected).....	29
Soft-Stop Speed in Open and Close Direction (Password Protected).....	29
FACTORY RESET.....	30
WIRELESS PROGRAMMING	31-34
Remote Control Programming.....	31
MyQ Set-up	32-34
OPERATION AND MAINTENANCE.....	35-37
Error Codes	35-36
Accessories and Gate Hardware	37
PROGRAMMING FLOW CHART	38-42
CHAMBERLAIN LIMITED WARRANTY	43-44

INTRODUCTION

1 SPECIFICATIONS – SWING L 300 – MGLSK / MGLDK / MGLSK-LV / MGLDK-LV

Main AC Supply:220-240 Vac; 50/60 Hz
Motor Voltage:24 Vdc
Input Power (single arm):50 W
Ambient Temperature Range:-20 ~ +55°C
Maximum Weight for single Gate: 300 kg/2 m, 250 kg/2.5 m, 200 kg/3 m
Maximum Width for single Gate1.8 m, 2.5 m
Maximum Pull Force:1500 N
Maximum Open Angle:120°
Running Time:5 minutes
Ingress Protection:IP 44 (Opener MGLX), IP 65 (Control Box MGEB) Suitable for outdoor installation
Transmitter Frequency:433.30 MHz/ 433.92 MHz/ 434.54 MHz
Memory registers:64 handset codes (max. 4 keypad devices - 1 code each.)

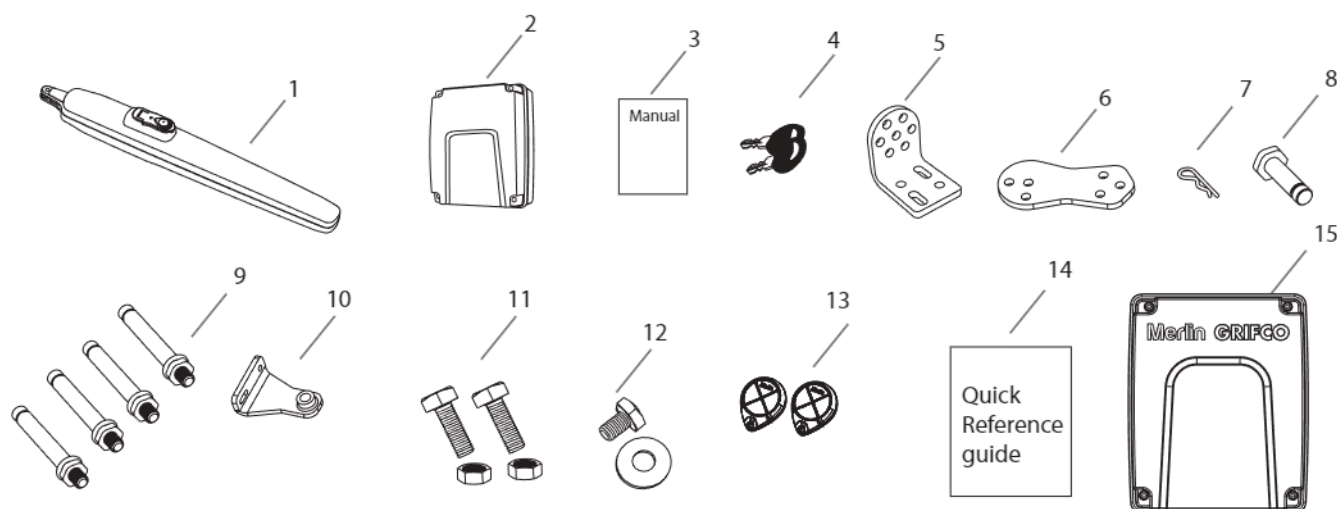
Dimensions

Gate Opener Height:137 mm
Gate Opener Width:835 mm
Gate Opener Depth:95 mm
Gate Opener Weight:6 kg

2 SALES KIT INVENTORY - MGLSK MAINS VOLTAGE 240V OR MGLSK-LV LOW VOLTAGE 24V SWING GATE OPENER LINEAR ACTUATOR SINGLE KIT

Your gate opener is packed in separate cartons. The Swing L 300 MGLSK or MGLSK-LV opener sales kit contains the opener, its hardware, accessories and a transformer MGTR3-120VA (only for the MGLSK-LV sales kit).

- | | |
|------------------------|---|
| (1) Opener (MGLX) | (9) 4 x M8x60 Masonry Anchors |
| (2) Control Box (MGEB) | (10) Gate Mounting Bracket |
| (3) Instruction Manual | (11) 2 x M10x30 Bolts |
| (4) 2 x Release Keys | (12) 13mm Bolt and Washer |
| (5) Fixed Post Bracket | (13) 2 x Four Button Remotes (E970M) |
| (6) Live Post Bracket | (14) Quick Reference Guide |
| (7) Hairpin Clip | (15) Gate Transformer 240-24V 120VA (MGTR3-120VA) |
| (8) Clevis Pin | |
- NOTE: Only for low voltage MGLSK-LV sales kit.

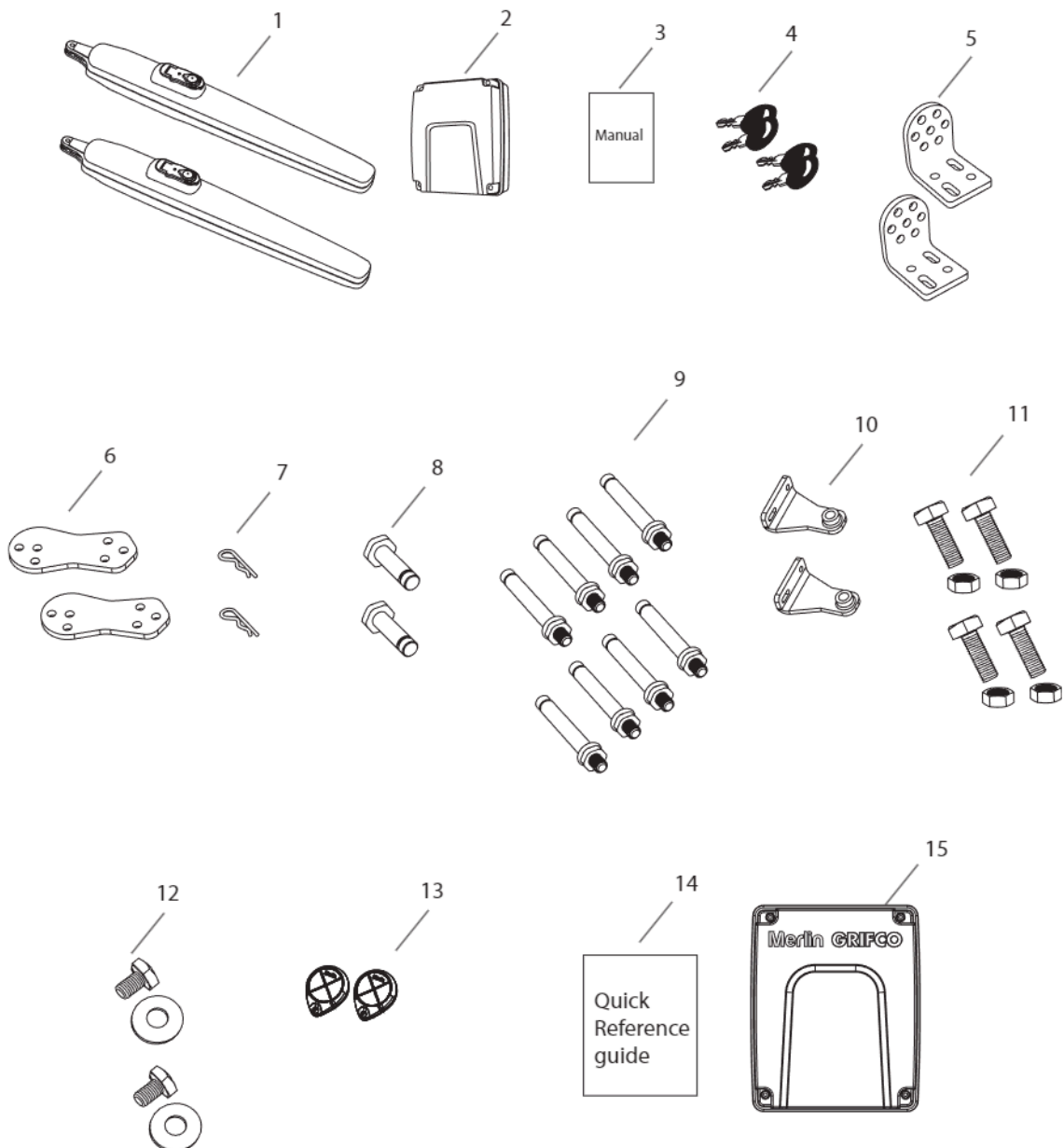


INTRODUCTION

2 SALES KIT INVENTORY - MGLDK MAINS VOLTAGE 240V OR MGLDK-LV LOW VOLTAGE 24V SWING GATE OPENER LINEAR ACTUATOR DUAL KIT

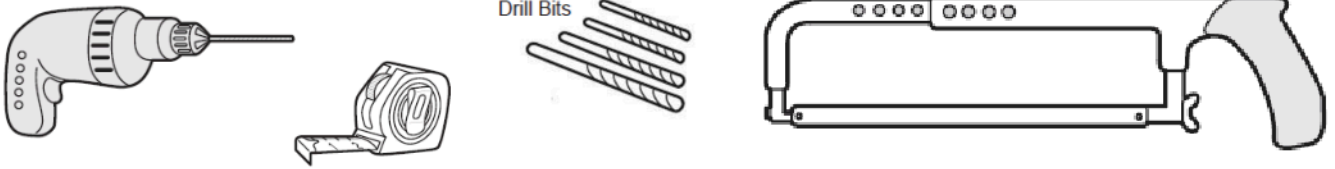
Your gate opener is packed in separate cartons. The Swing L 300 MGLDK or MGLDK-LV opener sales kit contains the opener, its hardware, accessories and a transformer MGTR3-120VA (only for the MGLDK-LV sales kit).

- (1) 2 x Opener (MGLX)
 - (2) Control Box (MGEb)
 - (3) Instruction Manual
 - (4) 4 x Release Keys
 - (5) 2 x Fixed Post Bracket
 - (6) 2 x Live Post Bracket
 - (7) 2 x Hairpin Clip
 - (8) Clevis Pin
 - (9) 8 x M8x60 Masonry Anchors
 - (10) 2 x Gate Mounting Bracket
 - (11) 4 x M10x30 Bolts
 - (12) 2 x 13mm Bolt and Washer
 - (13) 2 x Four Button Remotes (E970M)
 - (14) Quick Reference Guide
 - (15) Gate Transformer 240-24V 120VA (MGTR3-120VA)
- NOTE: Only for low voltage MGLDK-LV sales kit.



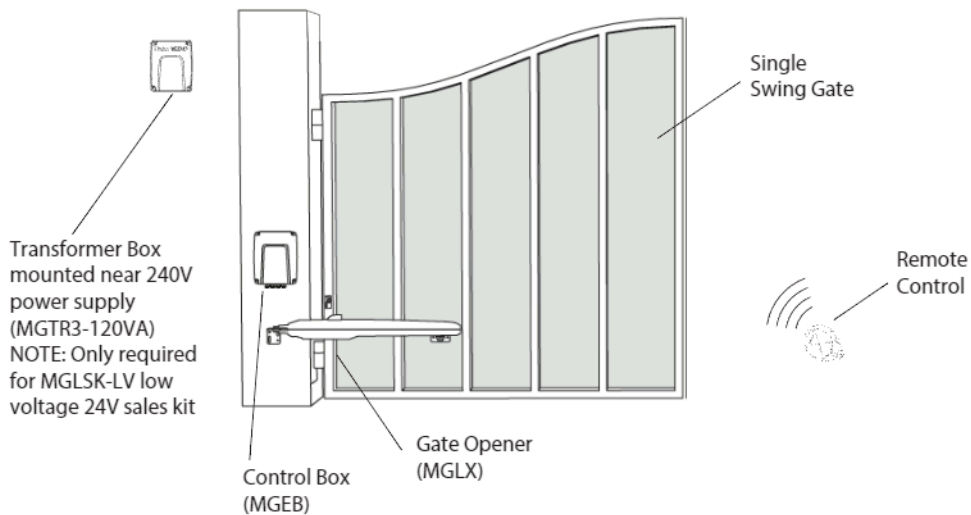
INTRODUCTION

3 TOOLS NEEDED

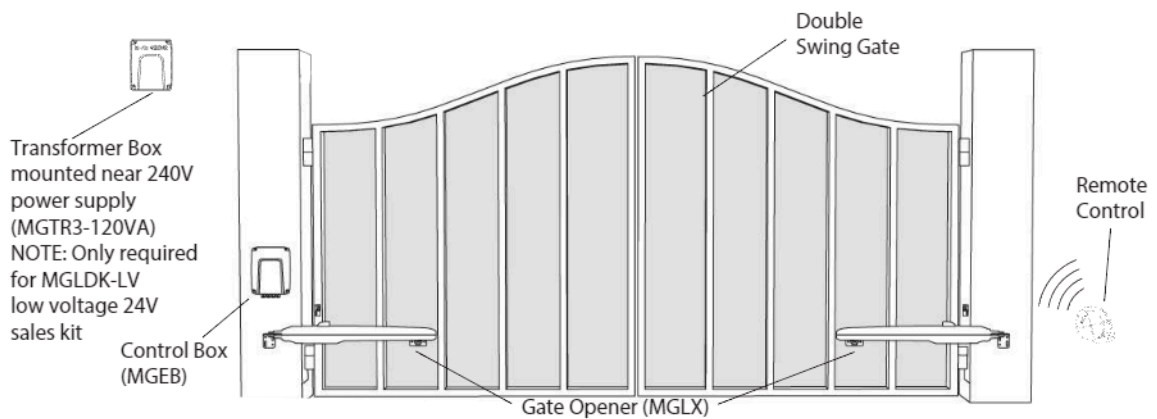


4 OVERVIEW OF THE GATE OPENER

*MGLSK – MAINS VOLTAGE 240V SWING GATE OPENER LINEAR ACTUATOR SINGLE KIT OR
MGLSK-LV – LOW VOLTAGE 24V SWING GATE OPENER LINEAR ACTUATOR SINGLE KIT*



*MGLDK – MAINS VOLTAGE 240V SWING GATE OPENER LINEAR ACTUATOR DUAL KIT OR
MGLDK-LV – LOW VOLTAGE 24V SWING GATE OPENER LINEAR ACTUATOR DUAL KIT*



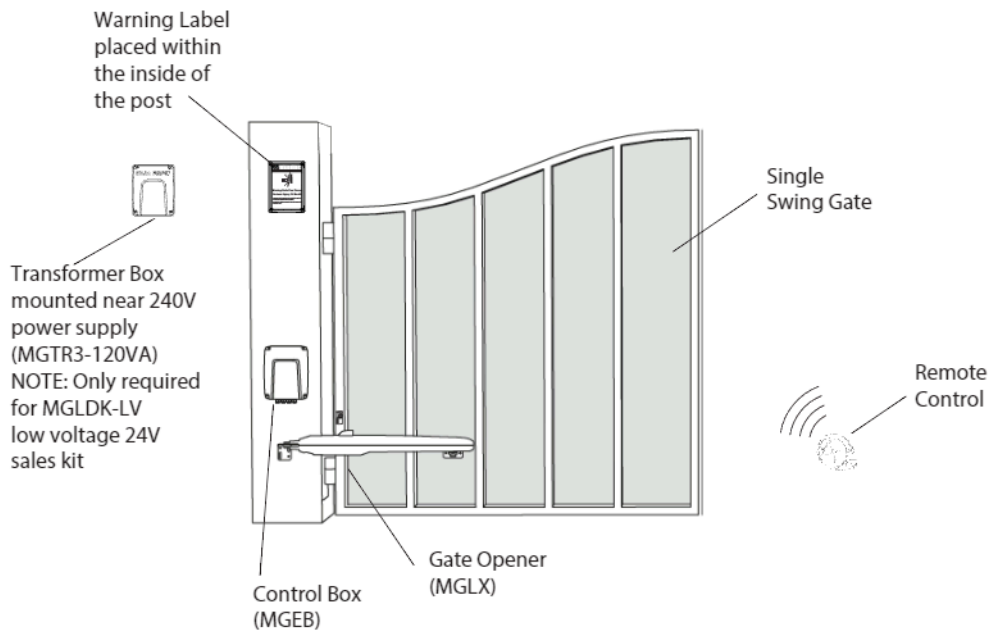
INTRODUCTION

5 INSTALLING THE WARNING LABELS

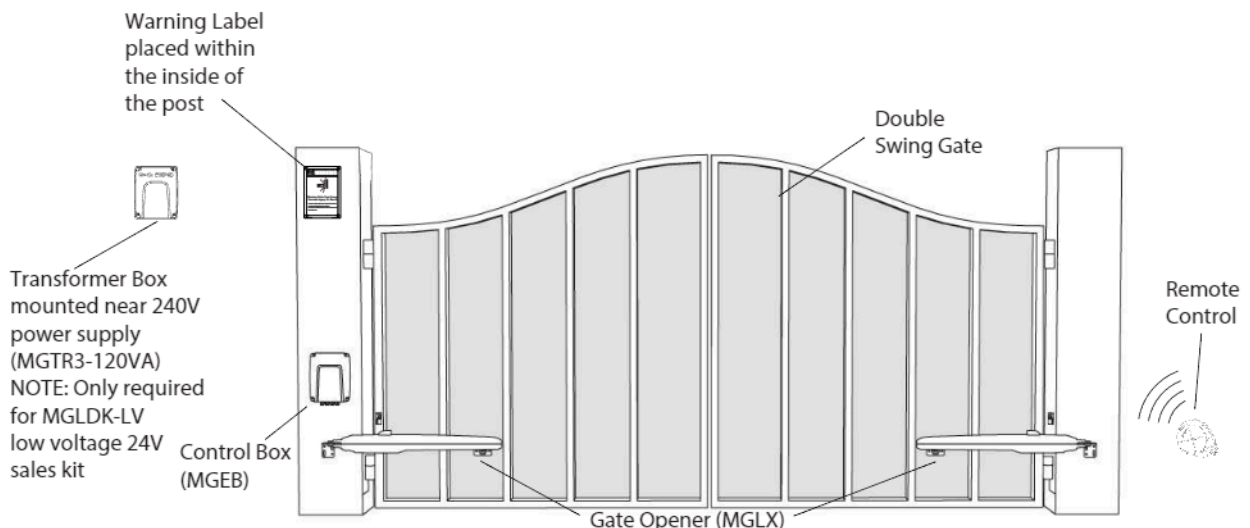


Warning Label is provided with each sales kit (MGLSK, MGLDK, MGLSK-LV & MGLDK-LV). The warning label must be placed on the inside of the post.

MGLSK – MAINS VOLTAGE 240V SWING GATE OPENER LINEAR ACTUATOR SINGLE KIT OR MGLSK-LV – LOW VOLTAGE 24V SWING GATE OPENER LINEAR ACTUATOR SINGLE KIT



MGLDK – MAINS VOLTAGE 240V SWING GATE OPENER LINEAR ACTUATOR DUAL KIT OR MGLDK-LV – LOW VOLTAGE 24V SWING GATE OPENER LINEAR ACTUATOR DUAL KIT



INTRODUCTION



Before installing the gate opener, ensure that the gate is opening smoothly. Determine the dimensions based on the opening angle provided in Table 1 (below) to confirm the position where the post bracket will be mounted. Ensure that all the required cables (power cable, accessory cables etc) are prepared and laid correctly.

NOTE: All crushing points must be secured by suitable entrapment protection devices as per the requirements in AS/NZS 60335.2.103. It is the responsibility of the installer to ensure compliance of the final installation, and every installation must be checked for compliance by the installer.

6 PLANNING

Wind Load Rating for Swing Gate Operators

We do not have wind load ratings on our gate openers, as Chamberlain is not responsible for how gate installers design their gates.

Recommendations

- Do not use a solid leaf/panel gate in windy areas.
- Use a light weight picketed slide or swing gate to minimize the wind force.
- Try using a maglock or e-lock to keep the gate securely shut.
- It may be needed to hold the gate(s) open or close, in windy applications.
- When selecting an opener, be sure to select the correct opener for the size of gate.
- You may need to adjust the gate force margins in high wind applications.

Power Wiring

1. The 240V AC opener is supplied with a mains power plug pre-assembled ready for installation. This may require mains power supply to be provided close to the opener by a licensed electrician.
2. The 24V AC Low Voltage (LV) opener will require a low-voltage power supply from the transformer box (MGTR3-120VA) to the gate opener.
3. It is recommended that the Low Voltage (LV) power cable is run inside conduit to the opener as per local installation requirements. The recommended cable sizes for the connection between the transformer box and the Low Voltage (LV) openers:
 - Flexible 3 core cable:
 - Less than 20m, minimum 1.5mm²
 - 20m to 50m, minimum 2.5mm²
 - 50m to 100m, minimum 4mm²
4. Installation of the Low Voltage supply requires the removal and isolation of the existing cable from the internally mounted transformer and connection of the Low Voltage supply to the 24VDC terminal.
5. Suitable cable glands must be used that provide sufficient cable restraint against a minimum of 30 N pull force.

Earthing Recommendations

Proper earthing of the opener is recommended to improve the radio range of transmitters and wireless accessories.

- The 240V AC unit is earthed using the standard AC power plug provided
- For the Low Voltage unit earthing can be achieved by running an earth wire back to the transformer box
- Alternatively connect the earth wire supplied with the LV unit to a suitable earth point on the operator base plate
- The use of an extension antenna kit SWG-ANT-EV may also be used to improve the radio range.

Additional Accessories

The vehicle loops allow the gate to stay open when vehicles are obstructing the gate path. Suggested for vehicles 4.2m or longer. Vehicle loops are not required but are recommended. Before installing any accessories be sure to complete a site check to determine the best device(s) the site needs.

Solar Power or Auxiliary/Alternative power supply

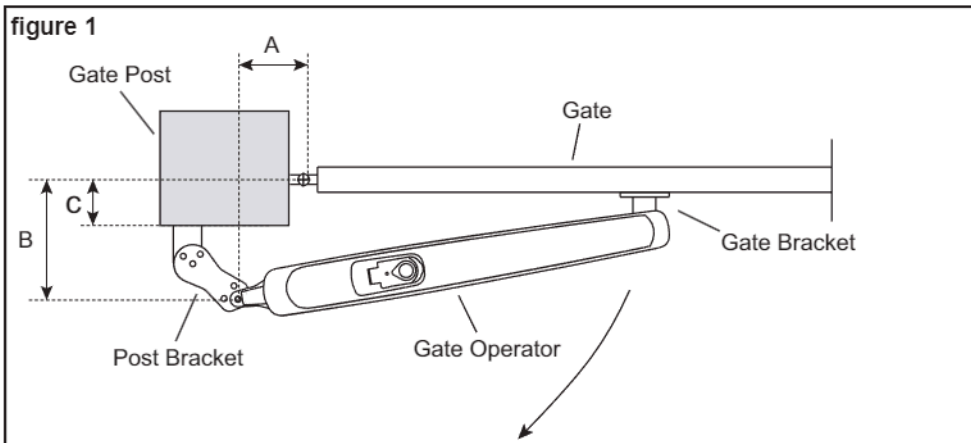
- Remove and isolate the 24VAC transformer power supply to the PCB.
- The new power supply will replace the 24VAC power supply to the PCB.
- Connect the new power supply leads to the 24VAC input on the PCB.
- The power supply voltage must be between 16VAC to 30VAC or 16VDC to 30VDC, minimum supply current 10A.
- If the opener is powered by a solar power supply, the internal BBU (MGBBU) MUST not be installed or used.

INTRODUCTION

7 DETERMINE THE POSITION OF THE POST BRACKET

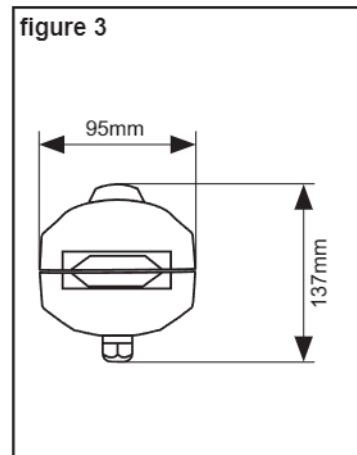
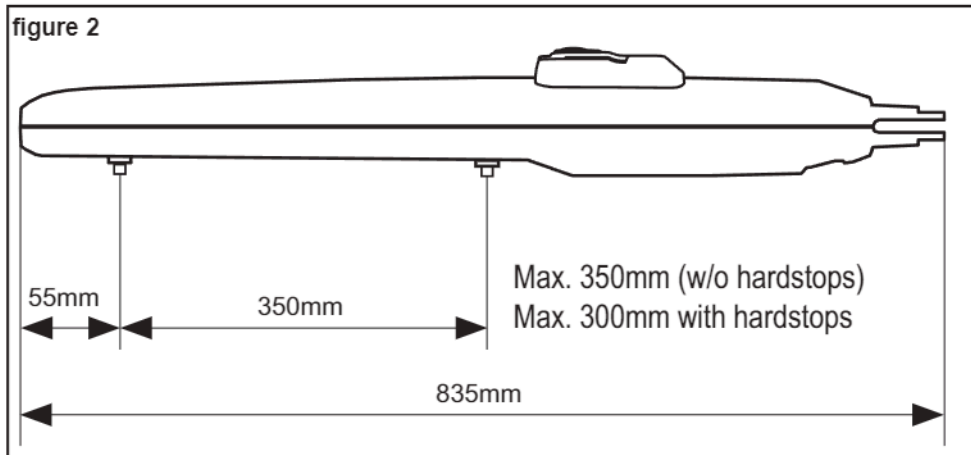
1. Determine the A and B dimension in base on the opening angle provided in Table 1 to confirm the position where the post bracket will be mounted.
2. The max dimension for C, should be the B dimension minus the 60mm (refer to the tables below).
3. For optimal mechanical advantage A and B dimension shall be equal or close. The difference between A and B should be no greater than 40mm.

NOTE: Smaller A and B dimensions determine higher peripheral speed of the leaf. Higher differences between cause greater speed and force variations during the gate opening and closing movement. It is always good practice use all available travel of the operator.



Dimensions of Gate Opener

2.0m	300kg
2.5m	250kg
3.0m	200kg



MGLX with hardstop, using max travel 300mm.

mm		A Table 1				
		100	120	140	160	180
B	100	na	120°	110°	100°	95°
	120	120°	110°	100°	95°	90°
	140	110°	100°	95°	90°	80°
	160	100°	95°	90°	80°	75°
	180	95°	90°	80°	75°	70°

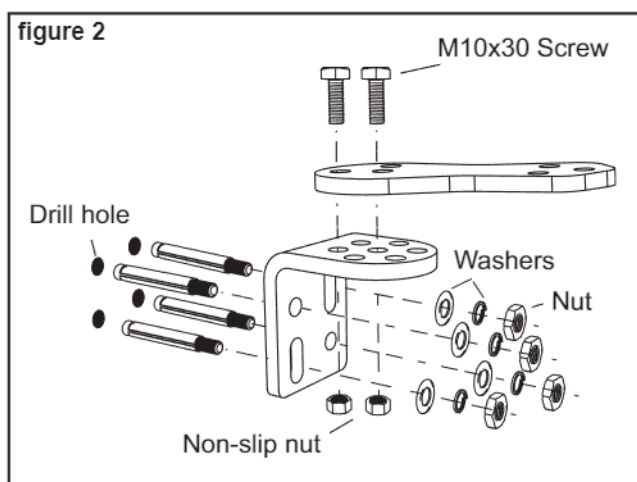
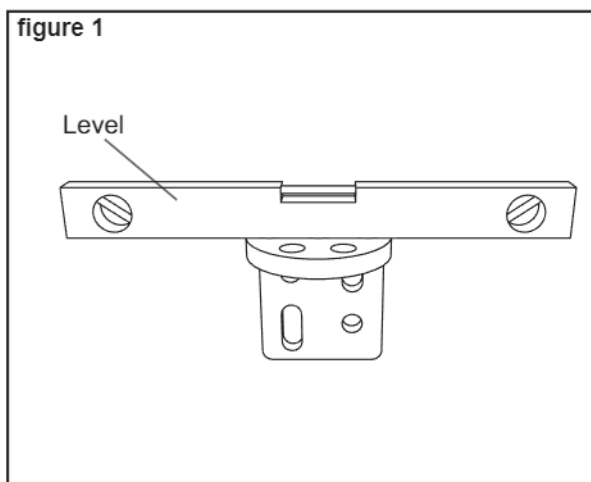
MGLX without hardstop, using max travel 350mm.

mm		A Table 1					
		100	120	140	160	180	200
B	100	na	120°	120°	115°	110°	100°
	120	120°	120°	115°	110°	100°	100°
	140	120°	115°	110°	110°	100°	90°
	160	115°	110°	110°	100°	90°	85°
	180	110°	110°	110°	90°	85°	80°
	200	100°	100°	100°	85°	80°	75°

INSTALLATION

8 POST BRACKET INSTALLATION

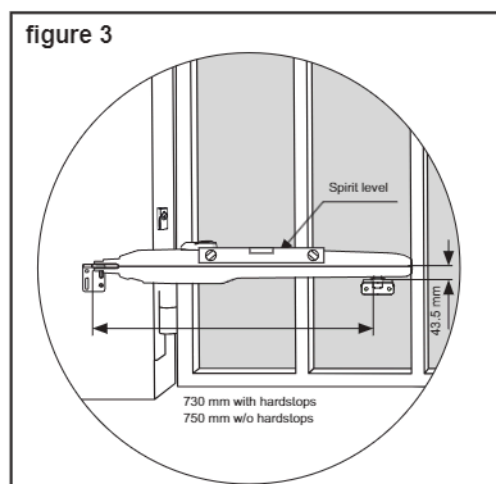
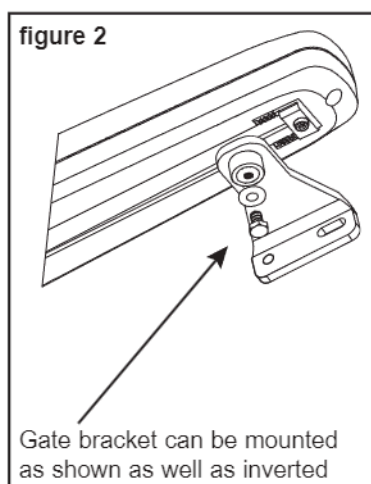
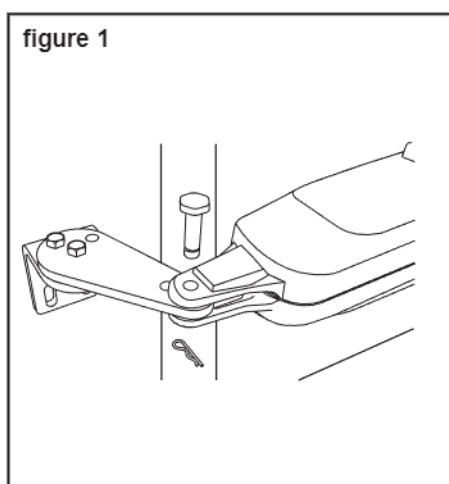
1. Using the fixed post bracket as a reference, mark and drill the holes for the post bracket.
2. Attach the post bracket to the post using appropriate fixings. Masonry fixings are supplied, if required.
3. The slots on the post bracket allow for alignment. When the post bracket is level (see figure 1), tighten the nuts.
4. Attach the live post bracket to the fixed post bracket as per figure 2.



9 GATE BRACKET INSTALLATION

1. Bring gate to the "closed" position.
2. Attach the opener to the assembled post bracket using the clevis pin and secure with a hairpin clip (figure 1).
3. Attach the gate mounting bracket onto the arm using the fasteners and washers provided (figure 2).
4. Using the Manual Release, disengage the opener (see section 11).
5. Position the gate mounting bracket as shown (figure 3). Ensure the gate bracket is positioned near the mechanical hard stop for the closed position.
6. Temporarily secure the gate bracket to the gate with a clamp. This will allow for adjustment of the final closing position.
7. Manually open and close the gate to the required positions. Ensure the opener does not bind. If the opening and closing positions are OK, proceed to Step 8. If there is an issue with the desired opening position, change the gate bracket position or check if the A and B dimensions of the post bracket were chosen correctly.

NOTE: Be sure that during the manual movement from close to open and vice versa, there is no obstruction or impact of the arm against the leaf or pillar.



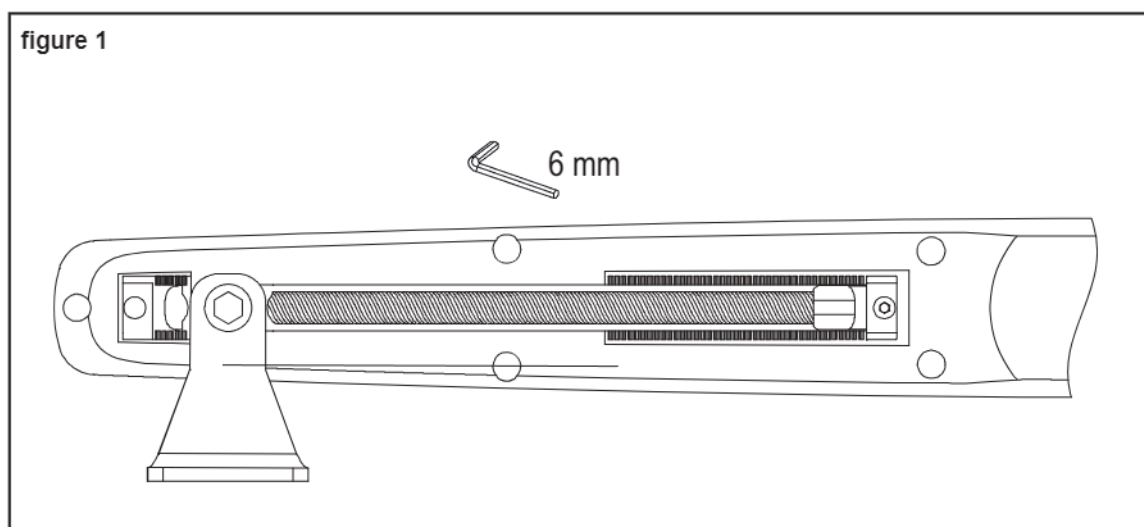
INSTALLATION

10 HARD STOPS INSTALLATION

1. Using the internal opener hard stops to adjust the gates travelling distance, loosen each of the adjustment screws with a 6mm Allen key.
2. Move the gate to the desired close position, reposition the hard stop and secure using a 6mm Allen key.
3. Move the gate to the desired open position, reposition the hard stop and secure using a 6mm Allen Key.
4. Move the gate to closed position ensuring the drive is touching the hard stop, and re-engage the Manual Release mechanism.
5. Connect the gate bracket securely to the gate in the chosen position with appropriate fasteners (not provided).

NOTE: Combination of internal and external hardstops can be used. If the internal hard stops are not used, it is mandatory to install external hard stops in the open and close position. A combination of internal and external hard stops may be used. When using external hard stops, ensure the gate hardware and construction is able to withstand the driving force of the opener.

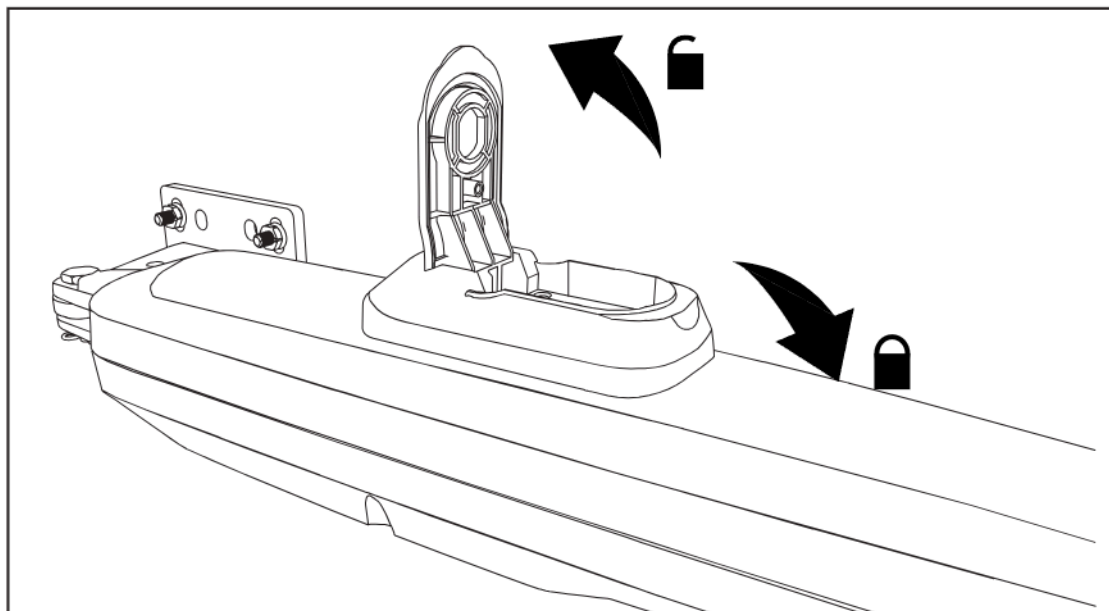
figure 1



11 DISENGAGEMENT OF THE MANUAL RELEASE

1. Rotate key shield to expose keyhole
2. Put the key into the keyhole and turn
3. Lift the lever up

NOTE: to re-engage the opener, follow the procedure in reverse



INSTALLATION

12 INSTALL THE CONTROL BOX

The control box must be installed at a safe location that enables the installer to have access at all times to the logic board without the risk of the gates crushing or trapping.

It is advised that you must have full view of the gates when programming the logic board.

Install the control box in an appropriate and accessible position. The installation has to be done in accordance with local electrical regulation.



Please remove the PCB from the enclosure before making any penetrations. Damage to the PCB during installation is not covered by warranty

figure 1

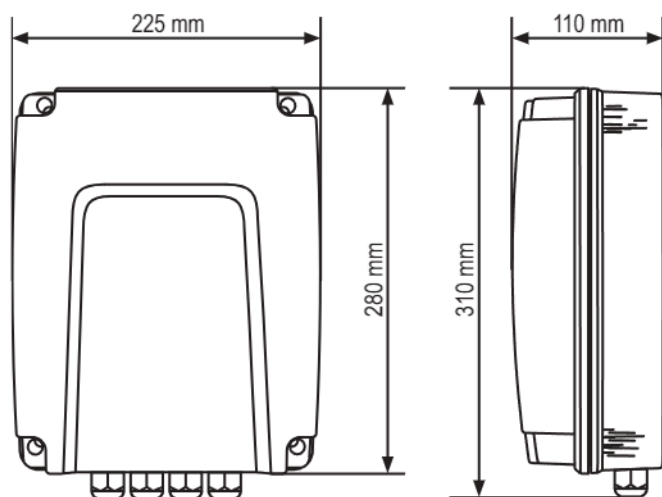
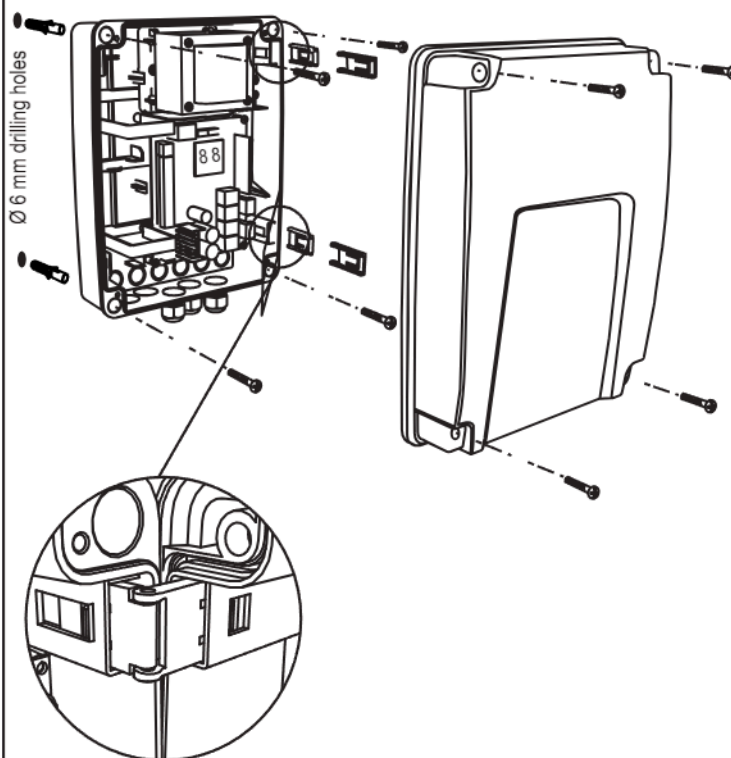


figure 2



13 ELECTRICAL SAFETY



To reduce the risk of SEVERE INJURY or DEATH:

- BEFORE installing the power wiring or control stations be sure to follow all specifications and warnings. Failure to do so may result in SEVERE INJURY to persons and/or damage to the opener.
- ALL electrical connections MUST be made by a licensed electrician.
- DO NOT install any wiring or attempt to run the opener without consulting the wiring diagram.
- ALL power wiring should be on a dedicated circuit and well protected.
- ALL power and control wiring MUST be run in separate conduit.
- Disconnect power at the fuse box BEFORE proceeding.
- ANY maintenance to the opener or in the area near the opener MUST NOT be performed until disconnecting the electrical power (AC and battery). Upon completion of maintenance the area MUST be cleared and secured, at that time the unit may be returned to service.

14 OPENER CONNECTION 1 AND 2

Motor 1 Connection

NOTE: The opener wired to the MOTOR 1 terminal will always open first and close last.

1. Feed the motor1 cable through the selected cable gland.
2. Connect motor cables to the MOTOR1 terminals as follows: red cable to RED terminal, green cable to GRN terminal , white cable to WHT terminal on control board.

Motor 2 Connection

NOTE: The opener wired to the MOTOR 2 terminal will always open last and close first.

1. Feed the motor 2 cable through the selected cable gland.
2. Connect motor cables to the MOTOR2 terminals as follows: red cable to RED terminal, green cable to GRN terminal , white cable to WHT terminal on control board.

NOTE: Opener timing can be adjusted using Bi-PART Delay.

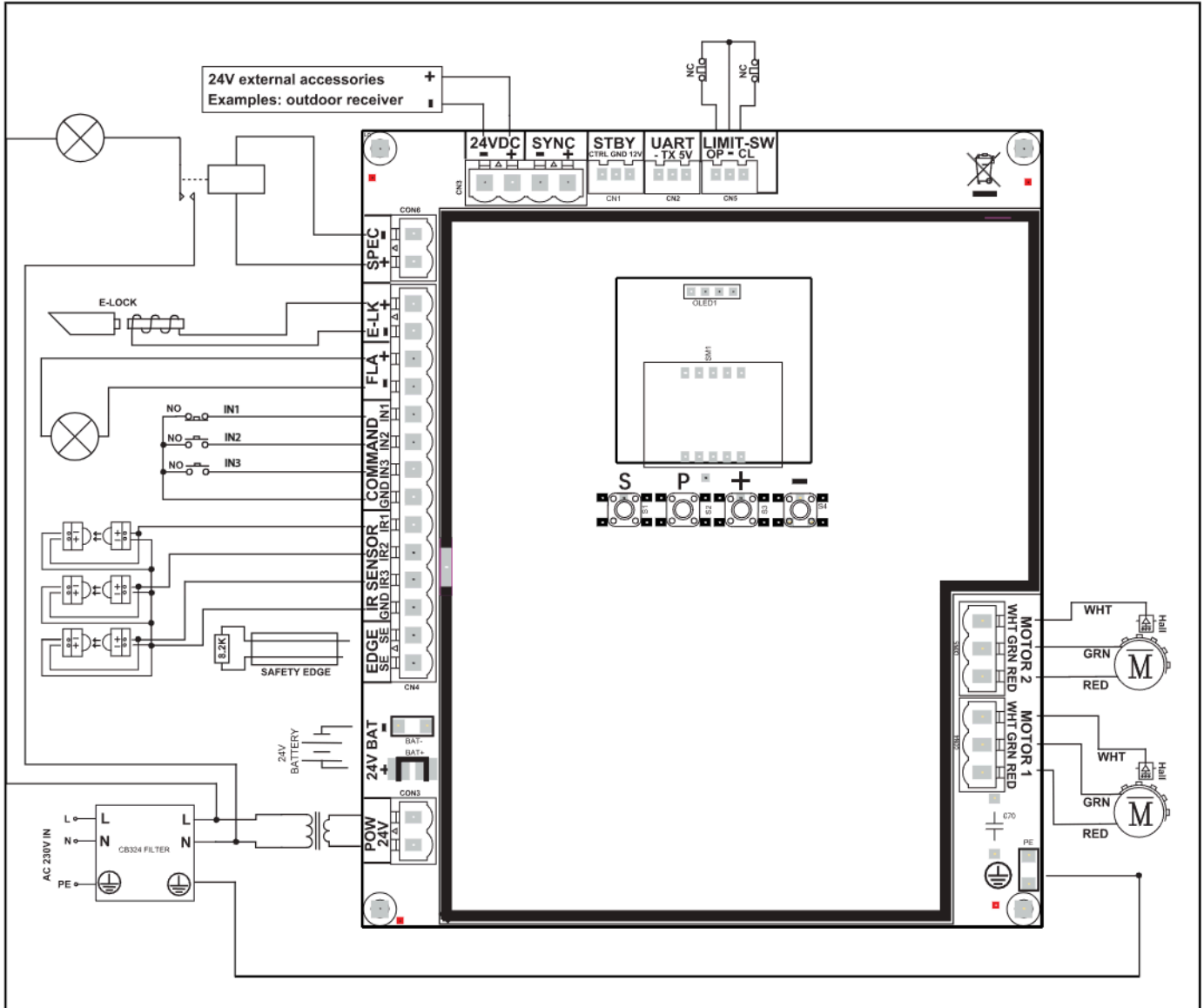
15 POWER WIRING

1. Isolate the power by turning power off at the isolation switch and/or circuit breaker.
2. Select a hole in bottom of the control box to be used for the incoming power.
3. Insert an IP rated gland into the bottom of the control box and tighten with nut.
4. Insert the supply cables through the IP rated gland.
5. Connect the supply to the appropriate terminals
 - Mains voltage - Power PCB
 - Low Voltage - 24V input terminals on main PCB
6. Tighten the IP rated gland.



Remove PCB before making any penetrations in the enclosure

16 WIRING DIAGRAM



Power rating outputs:

- 24Vdc, 500mA for external accessory*
- 24Vdc, 500mA for flashing lamp
- 24Vdc, 500mA output for E-lock
- 24Vdc, 500mA for Magnetic Lock
- 24Vdc, 500mA for SPEC Contact Output

** External accessory power will remain active on both Mains Power and Battery Backup. Connected accessories may affect the Battery Backup duration.*

17 INSTALL ENTRAPMENT PROTECTION DEVICES

THE PROTECTOR SYSTEM™ (IR BEAMS) (OPTIONAL)

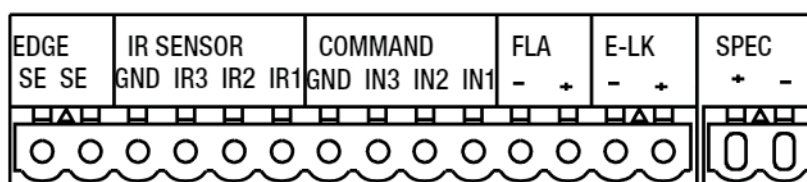
NOTE: Merlin strongly recommends that The Protector System™ (IR Beams) and Safety Bump Edge Sensors be installed on all gate openers.

Compatible Protector System™ (IR Beams) are 772ANZ and HPS15 Monitored Safety Beams.



The Protector System™ (IR Beams) can be configured to function differently when connected to IR1, IR2 or IR3 inputs.

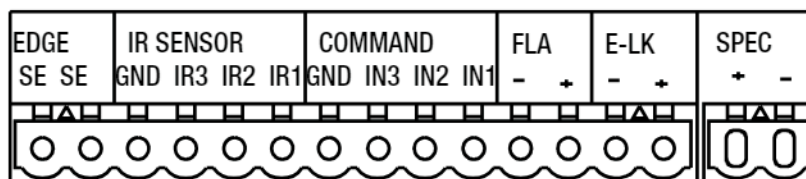
1. Connect the Protector System™ (IR Beams) to IR1/GND or IR2/GND and or IR3/GND.
2. The IR Beams can be configured to monitor in the open, close or both open and close directions (see IR Behaviour section).
3. The IR Beams will automatically learn to the opener after they have been connected and monitor the close direction by default.
4. If you need to remove the IRs, you will need to unlearn them from the opener. This is done by switching power off and on three times.



EDGE SENSOR

The Edge sensor can only be connected to the Edge inputs.

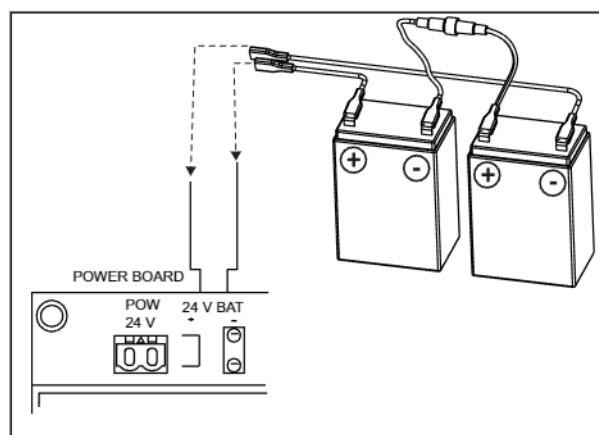
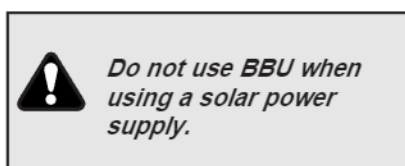
1. Remove the 8.2k resistor from the Edge inputs.
2. Connect the 8.2k compatible edge sensor to the Edge inputs.



18 BATTERY BACKUP (OPTIONAL)

The batteries are charged in the circuit by the integrated transformer. Recommended items for a battery backup application (separate accessory purchase) 2 x 12V 2.2Ah SLA batteries (model MGBBU).

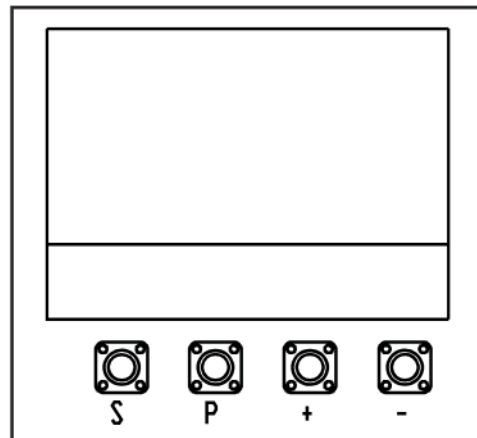
1. Isolate power to the opener.
2. Connect the inline fuse (10A) jumper wire to the negative (-) terminal on Battery 1 and the positive (+) terminal on Battery 2.
3. Connect the positive battery wire to Battery 1 positive terminal.
4. Connect the negative battery wire to Battery 2 negative terminal.
5. Route the battery cables through the opener with the existing AC power cables.
6. Connect the positive battery wire to the positive (+) terminal on the PCB marked 24V BAT +.
7. Connect the negative battery wire to the negative (-) terminal on the PCB marked 24V BAT -.
8. Turn power to the opener on.



19 LCD SCREEN MENU

Programming buttons function (4 buttons):

Button	Function
S	<ul style="list-style-type: none"> • Program / delete remote controls • Specific function during Programming
P	<ul style="list-style-type: none"> • Enter programming Mode, Select function and Save the setting. <p>NOTE: long press of P button will save the setting and exit out to the menu screen.</p>
+/-	<ul style="list-style-type: none"> • Navigate the menu • Change setting values



20 OVERVIEW

The programming of the opener is divided in two steps:

1. Basic - including Initial Setup
2. Advanced - Password Protected Settings

Initial Set-up includes:

- Selection of motor type
- Motor direction
- Limits
- Forces.

After the Initial Set-up is complete, the opener will work as per default Basic Settings.

Initial Set-up is mandatory, if Initial Set-up is not completed, the opener will not work.

Initial Set-up is required before any further changes to Basic or Advanced settings can be made

PROGRAMMING

20 OVERVIEW

Legend	Function	Section
Application	Opener Motor Type	21
Direction Motor 1	Direction Motor 1	21
Direction Motor 2	Direction Motor 2	21
Limit & Force Learn	Learning	22
Remote Control Behaviour	Adjust the behaviour of remote controls	23
IR1-Behaviour	Adjust the behaviour of Protector System Safety IR Beams in input IR 1	23
IR2-Behaviour	Adjust the behaviour of Protector System Safety IR Beams in input IR 2	23
IR3-Behaviour	Adjust the behaviour of Protector System Safety IR Beams in input IR 3	23
Input 1	Adjust the behaviour of Input 1 command	24
Input 2	Adjust the behaviour of Input 2 command	24
Input 3	Adjust the behaviour of Input 3 command	24
Pedestrian	Setup pedestrian opening mode	25
Delay Motor 2-Open	Adjust timing delay of motor 2 in open direction	26
Delay Motor 1-Close	Adjust timing delay of motor 1 in close direction	27
Timer-To-Close	Setup timer-to-close feature	28
Reversal Time	Reversal time after obstruction has been detected	29
E-Lock	E-Lock	30
Ram-Blow	Setup additional electronic lock (E-Lock) or Mag-Lock options	31
Flashing Light	Setup flashing light accessory	32
Pre Flashing	Adjust pre flashing of flashing light accessory	33
Special Contact Relay	Adjust how the special contact input will behave	34
Soft & Hard Start Setting	Disable or enable the soft & hard starts	35
Maintenance Counter	Setup maintenance counter for service alerts	36
The above completes the Basic Setting requirements		
Password	Setup, enter and change password in order to enter into the Advance settings	37
Force Motor 1-Open (PW)	Adjust the forces of motor 1 in open direction	38
Force Motor 1-Close (PW)	Adjust the forces of motor 1 in close direction	38
Force Motor 2-Open (PW)	Adjust the forces of motor 1 in open direction	38
Force Motor 2-Close (PW)	Adjust the forces of motor 2 in close direction	38
Speed-Motor 1 & 2 Open (PW)	Adjust the speed of motor 1 and 2 in open direction	39
Speed-Motor 1 & 2 Close (PW)	Adjust the speed of motor 1 and 2 in close direction	40
Soft Stop Speed (PW)	Adjust the soft speed, which is the remaining speed towards the end of the travel	41
Factory Reset	Reset opener	42
Finish and Exit	Complete and exit screen	N/A

21 INITIAL SETUP

Release the opener manual release with the key, and move the gate(s) to a mid open position. Re-engage the manual release. Energise the opener.

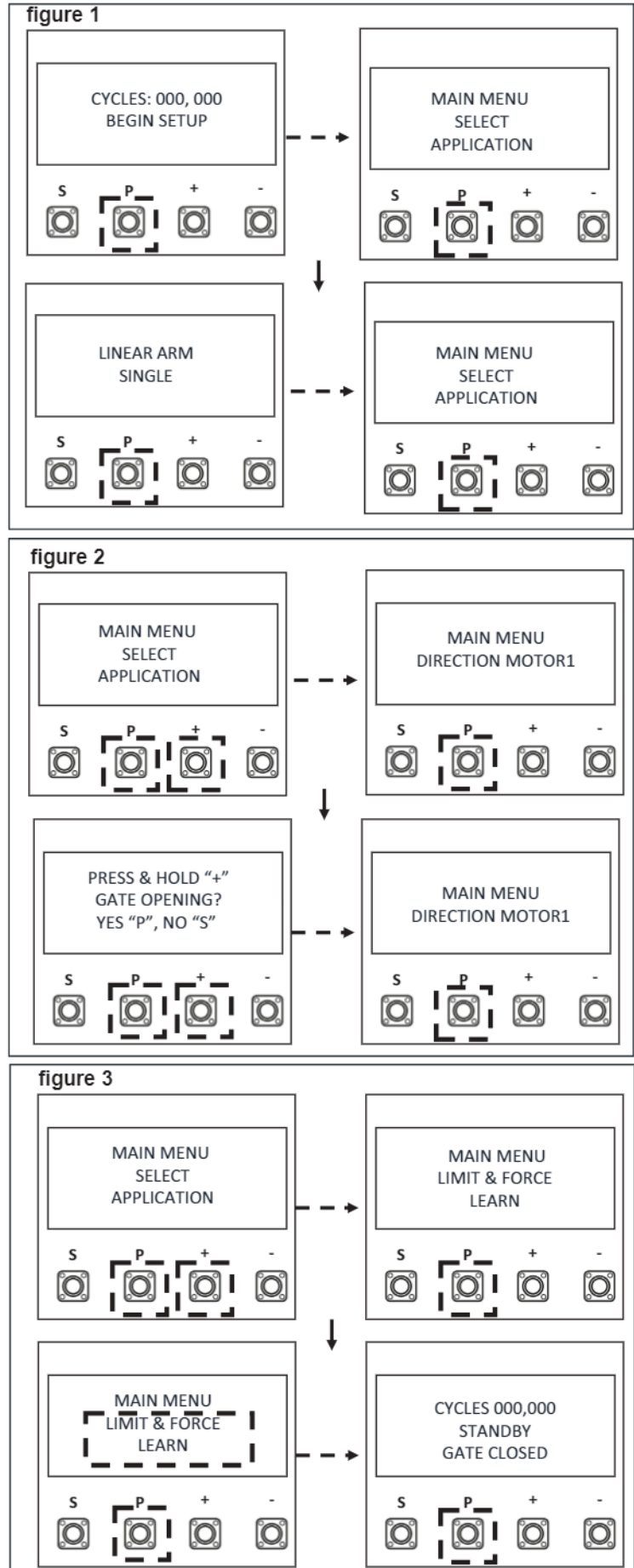
The LCD screen will display the Cycle count.

1. Press and hold the "P" button for approximately 5 seconds to enter into the Main Menu. MAIN MENU SELECT APPLICATION will be displayed on the LCD.
2. Press the "P" button once to enter this Menu option.
3. Use the "+" or "-" to scroll through the motor application options. When "LINEAR ARM SINGLE OR LINEAR ARM DUAL" is shown, press the "P" button to select. The screen will change to show MAIN MENU SELECT APPLICATION.
4. Press the "+" button once to scroll to the next menu option. "MAIN MENU DIRECTION MOTOR1" will be displayed on the LCD.
5. Press the "P" button to select. The screen will change to show PRESS & HOLD "+" GATE OPENING? YES "P", NO "S".
6. Press and hold "+". The gate will start to move.
 - a) If it moves in the OPEN direction, press "P" to confirm". The screen will change to show MAIN MENU DIRECTION MOTOR1
 - b) If the gate moves in the CLOSE direction, press "S" to confirm. The screen will change to **EXECUTE MOTOR DIRECTION CHANGE.** Press "P" to confirm.

Once the direction has been confirmed, the screen will change to MAIN MENU DIRECTION MOTOR1. If there is a second slide gate opener to be setup, press the "+" button to scroll to the next menu option "MAIN MENU DIRECTION MOTOR2 and follow the steps 5 and 6.
7. Press the "+" button once to scroll to the next menu option. "MAIN MENU LIMIT&FORCE LEARN" will be displayed on the LCD.
8. Press the "P" button to select. **The gate will start to move.** The screen will change and LIMIT&FORCE LEARN will flash on the screen.
9. Once complete, the gate will stop moving and the screen will change to CYCLES: 000,000 STANDBY GATE CLOSED.

Initial setup is now complete. The opener will now operate using default Basic Settings.

NOTE: If the LIMIT&FORCE LEARN setup needs to be stopped, press the "S" button. The Screen will display LIMIT&FORCE LEARN INTERRUPTED. After 5 seconds, the screen will display LIMIT&FORCE LEARN. Repeat step 8 to complete basic setup.



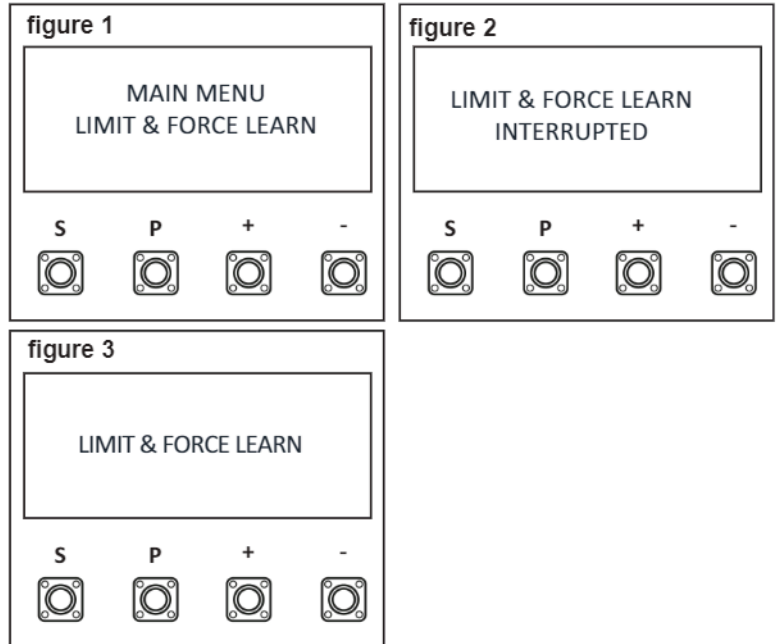
22 LIMIT AND FORCE LEARNING

Factory default Soft Stop Distance

Within the Basic Setting, navigate through the menu screen until you find "MAIN MENU LIMIT & FORCE LEARN".

1. Press the "P" button to enter this setting (figure1).
2. The menu screen will begin flashing "LIMIT & FORCE LEARN" while this sequence is in progress and *the gate will start to move.*
3. Three seconds after successfully completing the "LIMIT & FORCE LEARN" setup, the display will return to the main menu in standby mode.

Note: If the LIMIT & FORCE LEARN setup needs to be stopped, press "S" button. The screen will display "LIMIT & FORCE LEARN INTERRUPTED" (figure 2). After 5 seconds, the screen will display "LIMIT & FORCE LEARN".



Adjustable Soft Stop Distance

Requirements for adjustable soft stop :

- One set of monitored IR Beams must be connected to IR1, IR2 or IR3
- IR Beams must be programmed to monitor CLOSE DIR, OPEN and CLOSE DIR or CLOSE DIR + IMMEDIATE CLOSE.
- If no IR Beams are installed soft stop will remain as factory default setting.
- If IR Beams are removed, soft stop will revert back to factory default setting.

Within the Basic Setting, navigate through the menu screen until you find "MAIN MENU LIMIT & FORCE LEARN".

1. Press the "P" button to enter this setting (figure1).
2. The menu screen will begin flashing "LIMIT & FORCE LEARN" while this sequence is in progress and *the gate will start to move to the close position.*
3. The gate will begin to move to the OPEN position. Press and release the "P" button at the desired SOFT STOP POSITION.
4. The gate will begin to move to the CLOSE position. Press and release the "P" button at the desired SOFT STOP POSITION.
5. Three seconds after successfully completing the "LIMIT & FORCE LEARN" setup, the display will return to the main menu in standby mode.



When the SOFT STOP POSITION is adjusted you will need to install a suitably sized Safety Bump Edge for compliant entrapment protection as per AS/NZS 60335.2.103. It is the responsibility of the installer to ensure compliance of the final installation, and every installation MUST be checked for compliance by the installer.

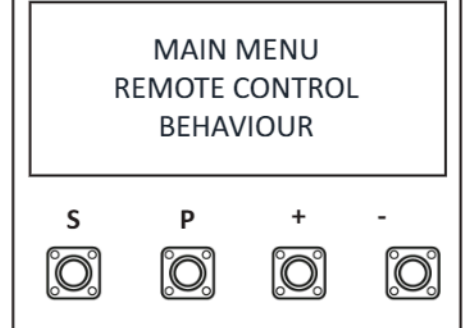
BASIC SETTINGS

23 REMOTE CONTROL BEHAVIOUR

Within the Basic Setting, navigate through the menu screen until you find "MAIN MENU REMOTE CONTROL BEHAVIOUR".

1. Press the "P" button to enter this setting.
2. Press the "+" or "-" buttons to navigate through the options.
3. You can select the following options:
 - OPEN-CLOSE-OPEN
 - OPEN-STOP-CLOSE-STOP
 - OPEN-STOP-CLOSE-OPEN
 - OPEN ONLY
4. To confirm the setting, press the "P" button to save and return to the main menu screen.

figure 1



24 IR BEHAVIOUR

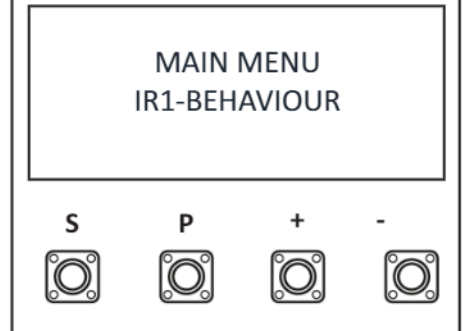
Within the Basic Setting, navigate through the menu screen until you find "MAIN MENU IR1-BEHAVIOUR".

1. Press the "P" button to enter this setting (figure 1).
2. Press the "+" or "-" buttons to navigate through the options.
3. You can select the following options:
 - IR1-CLOSE DIR
 - IR1-OPEN DIR
 - IR1-OPEN & CLOSE DIR
 - IR1-CLOSE DIR + IMMEDIATE CLOSE

(When immediate close is selected. The gate will close 2s after the IRs are unblocked even if the TTC is set for longer than 2s). To confirm the setting, press the "P" button to save and return to the main menu screen.

NOTE: The above process is the same for IR2 & IR3 Behaviour.

figure 1



BASIC SETTINGS

25 INPUT COMMAND

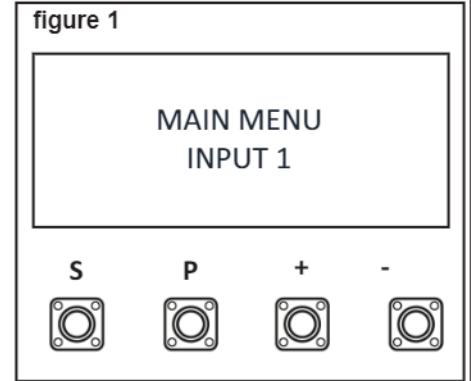
Within the Basic Setting, navigate through the menu screen until you find "MAIN MENU INPUT 1".

1. Press the "P" button to enter this setting (figure 1).
2. Press the "+" or "-" buttons to navigate through the options.
3. You can select the following options:
 - OPEN-CLOSE-OPEN
 - OPEN-STOP-CLOSE-STOP-OPEN
 - OPEN-STOP-CLOSE-OPEN
 - PEDESTRIAN OPENING
 - STOP
 - OPEN ONLY*
 - CLOSE ONLY
 - OPEN-STOP-OPEN-STOP
 - CLOSE-STOP-CLOSE-STOP
 - OPEN-HOLD TO RUN *
 - CLOSE-HOLD TO RUN
4. To confirm the setting, press the "P" button to save and return to the main menu screen.

NOTE: The above process is the same for Input Command for Input 2 & Input 3.

* If a latching toggle switch is used, this will override timer-to-close.

figure 1

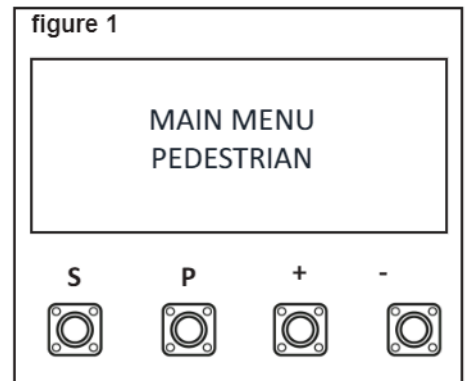


26 PEDESTRIAN COMMAND

Within the Basic Setting, navigate through the menu screen until you find "MAIN MENU PEDESTRIAN".

1. Press the "P" button to enter this setting (figure 1).
2. Press the "+" or "-" buttons to navigate through the options.
3. You can select the following options:
 - 10 % opening travel
 - 20 % opening travel
 - 30 % opening travel
 - 40 % opening travel
 - 50 % opening travel
 - 60 % opening travel (default)
 - 70 % opening travel
 - 80 % opening travel
 - 90 % opening travel
 - 100 %
4. To confirm the setting, press the "P" button to save and return to the main menu screen.

figure 1



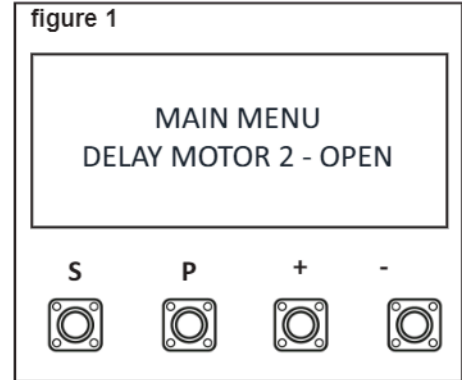
BASIC SETTINGS

27 DELAY MOTOR 2 IN OPEN DIRECTION - BI-PART DELAY

Within the Basic Setting, navigate through the menu screen until you find "MAIN MENU DELAY MOTOR 2 - OPEN".

1. Press the "P" button to enter this setting (figure 1).
2. Press the "+" or "-" buttons to navigate through the options.
3. You can select the following options:
 - No
 - Second Delay
 - Second Delay
 - 3 Second Delay
 - 4 Second Delay
4. To confirm the setting, press the "P" button to save and return to the main menu screen.

figure 1

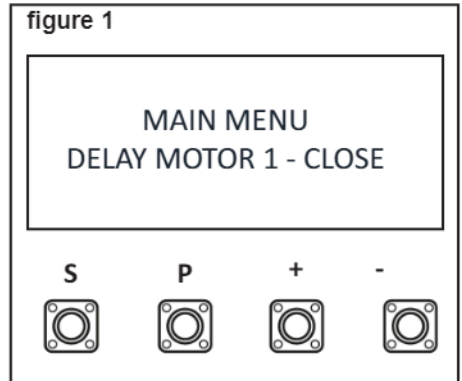


28 DELAY MOTOR 1 IN CLOSE DIRECTION - BI-PART DELAY

Within the Basic Setting, navigate through the menu screen until you find "MAIN MENU DELAY MOTOR 1 - CLOSE".

1. Press the "P" button to enter this setting (figure 1).
2. Press the "+" or "-" buttons to navigate through the options.
3. You can have no delay, or select delays from 1 second to 20 seconds.
4. To confirm the setting, press the "P" button to save and return to the main menu screen.

figure 1

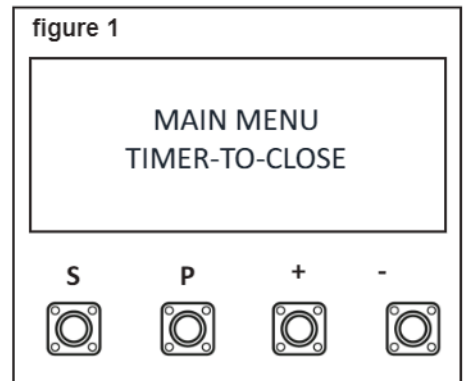


29 TIMER TO CLOSE (TTC)

Within the Basic Setting, navigate through the menu screen until you find "MAIN MENU TIMER-TO-CLOSE".

1. Press the "P" button to enter this setting (figure 1).
2. Press the "+" or "-" buttons to navigate through the options.
3. You can select the following options:
 - TTC Disabled
 - Setting TTC 10 Seconds
 - Setting TTC 20 Seconds
 - Setting TTC 30 Seconds
 - Setting TTC 45 Seconds
 - Setting TTC 1 Minute
 - Setting TTC 1.5 Minutes
 - Setting TTC 2 Minutes
 - Setting TTC 3 Minutes
 - Setting TTC 5 Minutes
4. To confirm the setting, press the "P" button to save and return to the main menu screen.

figure 1



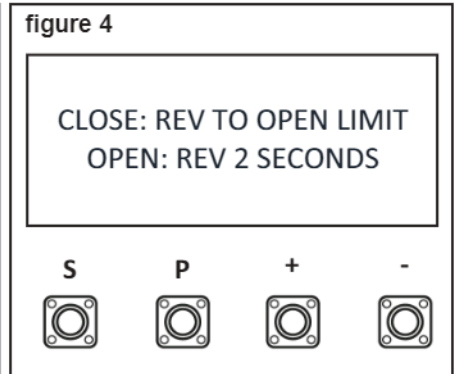
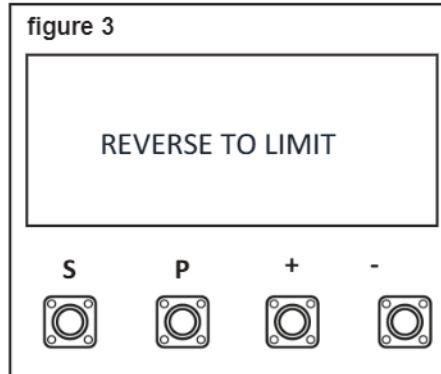
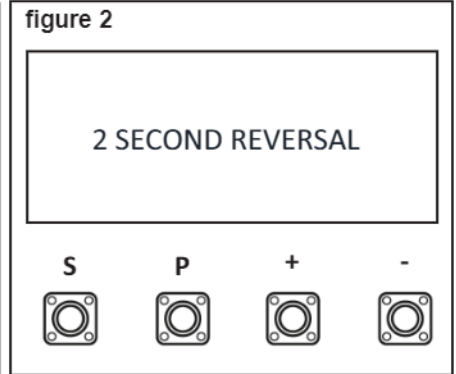
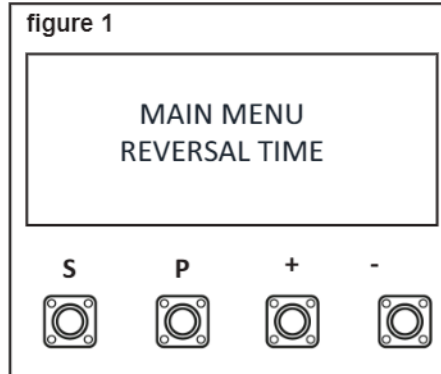
When TTC is enabled, "TTC ACTIVE" will be displayed on the screen during the countdown.

BASIC SETTINGS

30 REVERSAL TIME

Within the Basic Setting, navigate through the menu screen until you find "MAIN MENU REVERSAL TIME".

1. Press the "P" button to enter this setting (figure 1).
2. Press the "+" or "-" buttons to navigate through the options.
3. To confirm the setting, press the "P" button to save and return to the main menu screen.

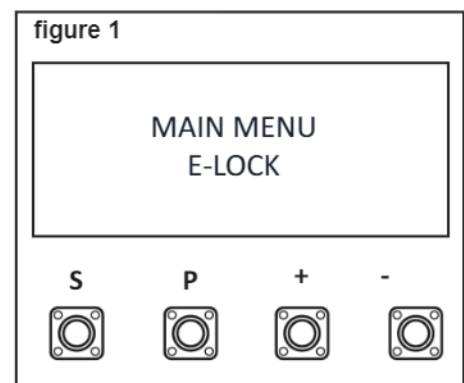


31 E-LOCK

Within the Basic Setting, navigate through the menu screen until you find "MAIN MENU E-LOCK".

1. Press the "P" button to enter this setting (figure 1).
2. Press the "+" or "-" buttons to navigate through the options.
3. You can select the following options:
 - Disabled
 - E-Lock, 1 Second
 - E-Lock, 2 Seconds
 - E-Lock, 5 Seconds
 - Mag-Lock
4. To confirm the setting, press the "P" button to save and return to the main menu screen.

NOTE: The E-Lock will activate 0.5 seconds prior to the opener moving, and remain activated for the duration selected.

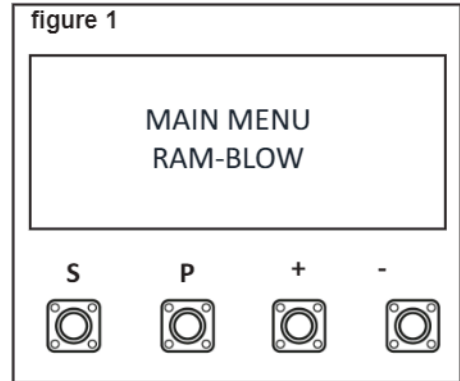


32 RAM BLOW MOTOR 1 FOR E-LOCK

Within the Basic Setting, navigate through the menu screen until you find "MAIN MENU RAM-BLOW".

1. Press the "P" button to enter this setting (figure 1).
2. Press the "+" or "-" buttons to navigate through the options.
3. You can select the following options:
 - Disabled
 - RAM-BLOW 1 Second
 - RAM-BLOW 2 Seconds
4. To confirm the setting, press the "P" button to save and return to the main menu screen.

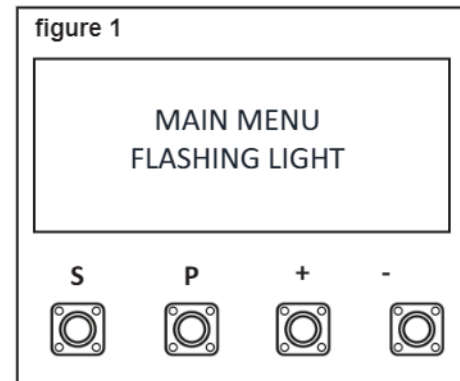
NOTE: This setting is only available if E-Lock has been activated.



33 FLASHING LIGHT

Within the Basic Setting, navigate through the menu screen until you find "MAIN MENU FLASHING LIGHT".

1. Press the "P" button to enter this setting (figure 1).
2. Press the "+" or "-" buttons to navigate through the options.
3. You can select the following options:
 - Continuous
 - Disabled
 - Flashing
4. To confirm the setting, press the "P" button to save and return to the main menu screen.

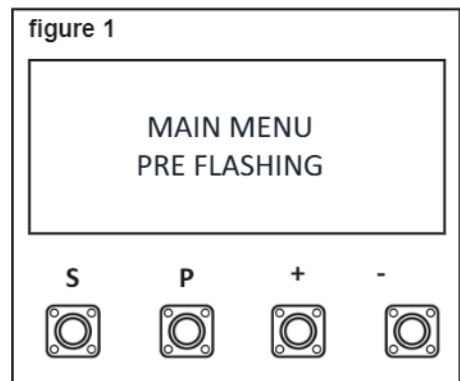


34 PRE FLASHING

Within the Basic Setting, navigate through the menu screen until you find "MAIN MENU PRE FLASHING".

1. Press the "P" button to enter this setting (figure 1).
2. Press the "+" or "-" buttons to navigate through the options.
3. You can select the following options:
 - Disabled
 - 1 Second
 - 2 Seconds
 - 3 Seconds
 - 4 Seconds
 - 5 Seconds
4. To confirm the setting, press the "P" button to save and return to the main menu screen.

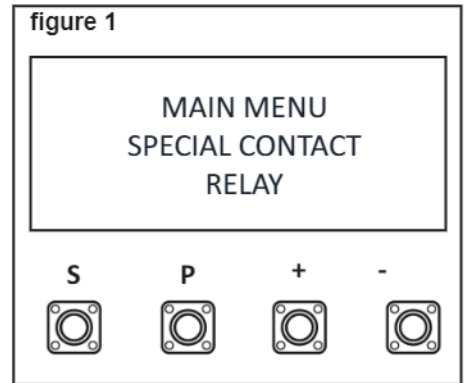
NOTE: This setting is only available if Flashing Light has been activated.



35 SPECIAL CONTACT

Within the Basic Setting, navigate through the menu screen until you find "MAIN MENU SPECIAL CONTACT RELAY".

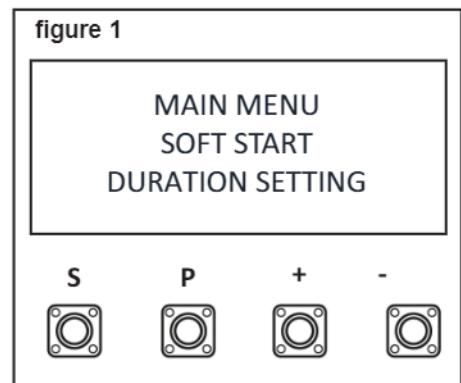
1. Press the "P" button to enter this setting (figure 1).
2. Press the "+" or "-" buttons to navigate through the options.
3. You can select the following options:
 - Disabled
 - 15 Seconds
 - 30 Seconds
 - 45 Seconds
 - 60 Seconds
 - 90 Seconds
 - 120 Seconds
 - 180 Seconds
 - 240 Seconds
 - 300 Seconds
4. To confirm the setting, press the "P" button to save and return to the main menu screen.



36 SOFT START DURATION IN OPEN AND CLOSE DIRECTION

Within the Basic Setting, navigate through the menu screen until you find "MAIN MENU SOFT START DURATION SETTING".

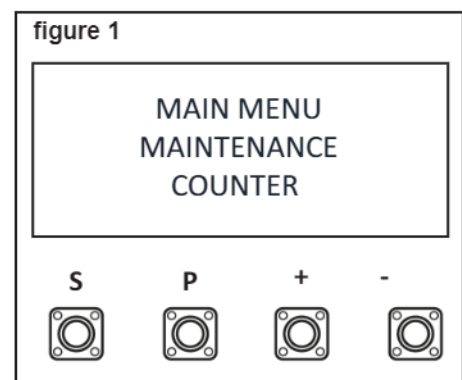
1. Press the "P" button to enter this setting (figure 1).
2. Press the "+" or "-" buttons to navigate through the options.
3. You can select the following options:
 - Normal - 1 second duration (default)
 - Long - 2.5 seconds duration
 - Short - 0.5 second duration
4. To confirm the setting, press the "P" button to save and return to the main menu screen.



37 MAINTENANCE COUNTER

Within the Basic Setting, navigate through the menu screen until you find "MAIN MENU MAINTENANCE COUNTER".

1. Press the "P" button to enter this setting (figure 1).
2. Press the "+" or "-" buttons to navigate options.
3. You can Disable the maintenance counter or select the maintenance counter to count from 1,000 cycles to 20,000 cycles.
4. To confirm the setting, press the "P" button to save and return to the main menu screen.



ADVANCED SETTINGS



If the Default speed and force values are changed in the Advanced Settings, the force reversal behaviour of the gate opener may be affected. Additional safety devices must be used for installations where the force measured on the leading edge of the gate in both the open and close direction is over 400N. Installers must ensure that the gates are installed in a compliant manner as per AS/NZS 60335.2.103.

38 PASSWORD

SET PASSWORD

1. Navigate the Menu screen till you get to "MAIN MENU PASSWORD" by pressing the "+" and or "-" buttons (figure 1).
2. Press the "P" button to enter into "MAIN MENU PASSWORD" (figure 1).
3. Select "SET PASSWORD" and press the "P" button (figure 2).
4. The screen will display 0000 (figure 3).
5. Setup password of four digits which can be any four digits from.

figure 1

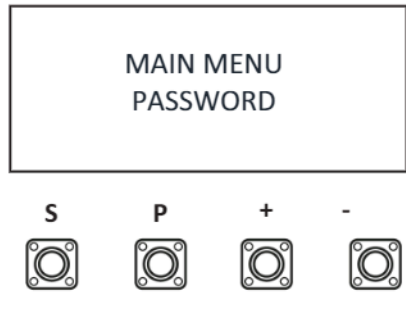


figure 2

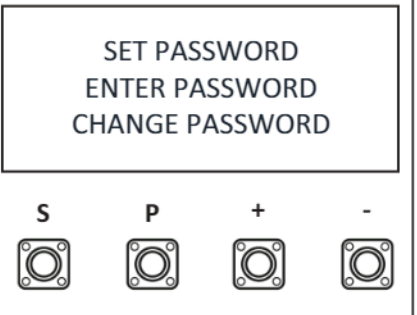
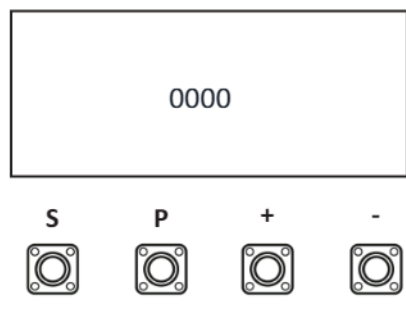


figure 3



CHANGE PASSWORD

1. Navigate the Menu screen till you get to "MAIN MENU PASSWORD" by pressing the "+" and or "-" buttons (figure 1).
2. Press the "P" button to enter this setting (figure 1).
3. Select "CHANGE PASSWORD" and press the "P" button (figure 2).
4. Enter the old four digit password and then press the "P" button (figure 3).
5. Now you must setup the new four digit password. Press the "P" button when you would like to save the new password (figure 4).

figure 1

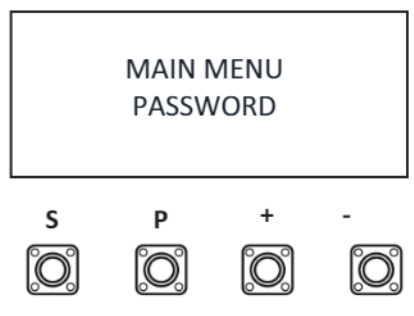


figure 2

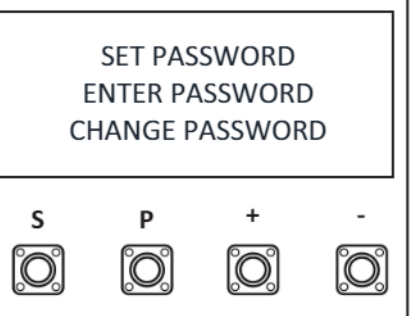


figure 3

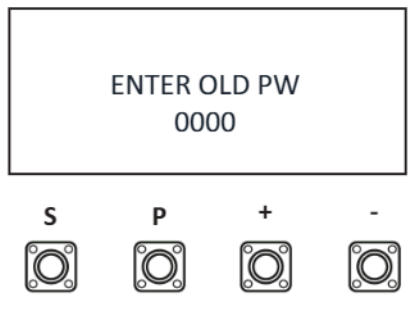
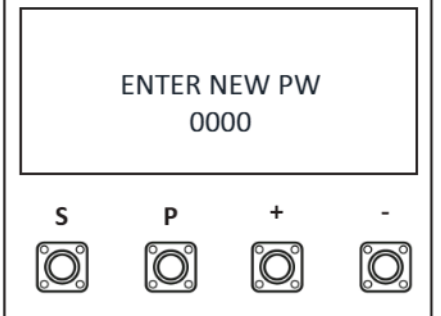


figure 4

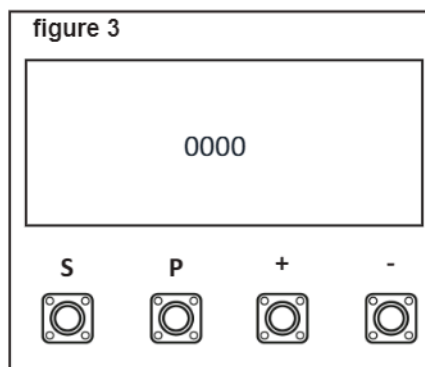
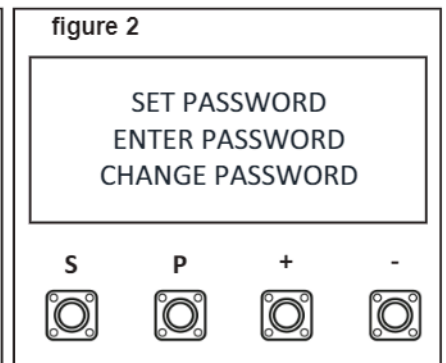
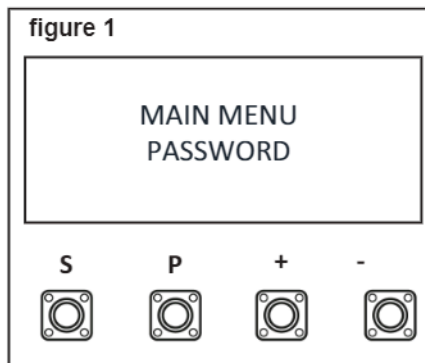


38 PASSWORD

ENTER PASSWORD

1. Navigate the Menu screen till you get to "MAIN MENU PASSWORD" by pressing the "+" and or "-" buttons (figure 1).
2. Press the "P" button to enter this setting (figure 1).
3. Select "ENTER PASSWORD" and press the "P" button (figure 2).
4. Enter the four digit password and then press the "P" button.

NOTE: If the incorrect password is entered, "ERR: WRONG PW" will be displayed for 2 seconds on the screen 0001 to 9999.

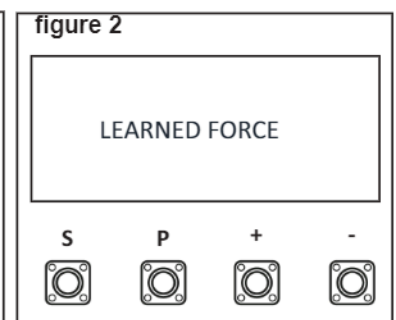
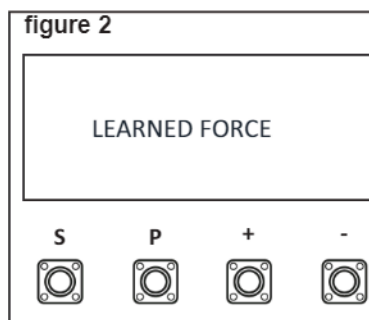
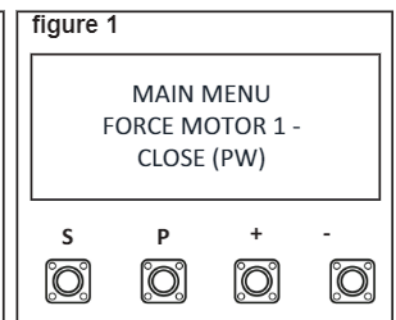
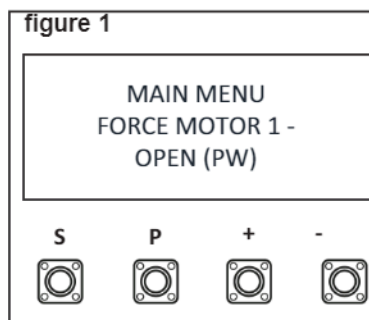


39 FORCE MOTOR 1 & 2 OPEN / CLOSE (PASSWORD PROTECTED)

NOTE: To access this setting the password must be entered.

Within the Advance Setting, navigate through the menu screen until you find MAIN MENU FORCE MOTOR 1 & 2 OPEN or MAIN MENU FORCE MOTOR 1 & 2 CLOSE (PW).

1. Press the "P" button to enter this setting (figure 1).
2. Press the "+" or "-" buttons to navigate through the options.
3. You can increase the force by 15%, 30% or 50%.
4. To confirm the setting, press the "P" button to save and return to the main menu screen.



ADVANCED SETTINGS

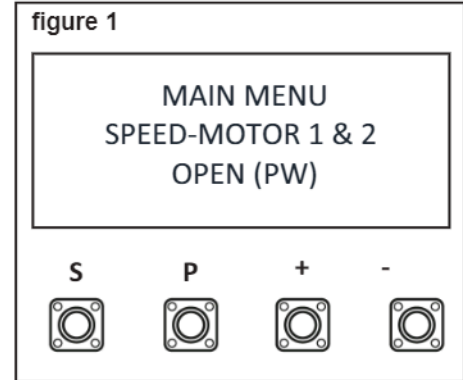
40 SPEED MOTORS 1 AND 2 IN OPEN DIRECTION (PASSWORD PROTECTED)

NOTE: To access this setting the password must be entered.

Within the Advance Setting, navigate through the menu screen until you find "MAIN MENU SPEED-MOTOR 1 & 2 OPEN (PW)".

1. Press the "P" button to enter this setting (figure 1).
2. Press the "+" or "-" buttons to navigate through the options.
3. You can increase the speed by 10%, 20%, 30% or 50%. In addition you can decrease the speed by 10% or 20% of the default speed.
4. To confirm the setting, press the "P" button to save and return to the main menu screen.

figure 1



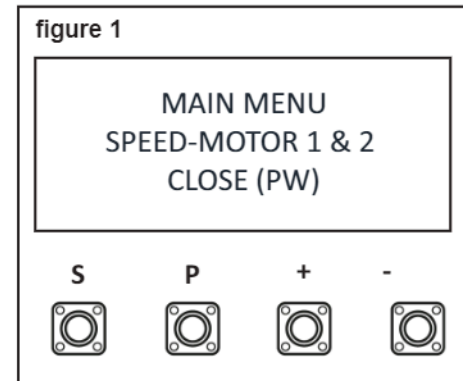
41 SPEED MOTORS 1 AND 2 IN CLOSE DIRECTION (PASSWORD PROTECTED)

NOTE: To access this setting the password must be entered.

Within the Advance Setting, navigate through the menu screen until you find "MAIN MENU SPEED-MOTOR 1 & 2 CLOSE (PW)".

1. Press the "P" button to enter this setting (figure 1).
2. Press the "+" or "-" buttons to navigate through the options.
3. You can increase the speed by 10%, 20%, 30% or 50%. In addition you can decrease the speed by 10% or 20% of the default speed.
4. To confirm the setting, press the "P" button to save and return to the main menu screen.

figure 1



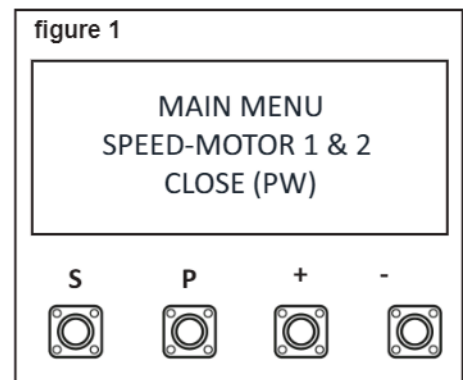
42 SOFT-STOP SPEED IN OPEN AND CLOSE DIRECTION (PASSWORD PROTECTED)

NOTE: To access this setting the password must be entered.

Within the Advance Function, navigate through the menu screen until you find "MAIN MENU SOFT STOP SPEED (PW)".

1. Press the "P" button to enter this setting (figure 1).
2. Press the "+" or "-" buttons to navigate through the options
3. You can increase the speed by 10%, 20%, 30% or 50%. In addition you can decrease the speed by 10% or 20% of the default speed.
4. To confirm the setting, press the "P" button to save and return to the main menu screen.

figure 1



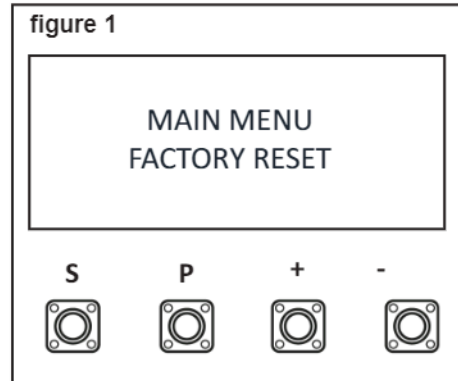
FACTORY RESET

43 FACTORY RESET

Within the Advance Setting, navigate through the menu screen until you find "MAIN MENU FACTORY RESET".

1. Press the "P" button to enter this setting (figure 1).
2. Press the "+" or "-" buttons to navigate through the options.
3. You can select the following options:
 - Execute Factory Reset
 - Exit
4. To confirm the setting, press the "P" button to save and return to the main menu screen.

NOTE: Deletes all settings, including passwords. Does not delete remote controls and myQ devices.



44 REMOTE CONTROL PROGRAMMING



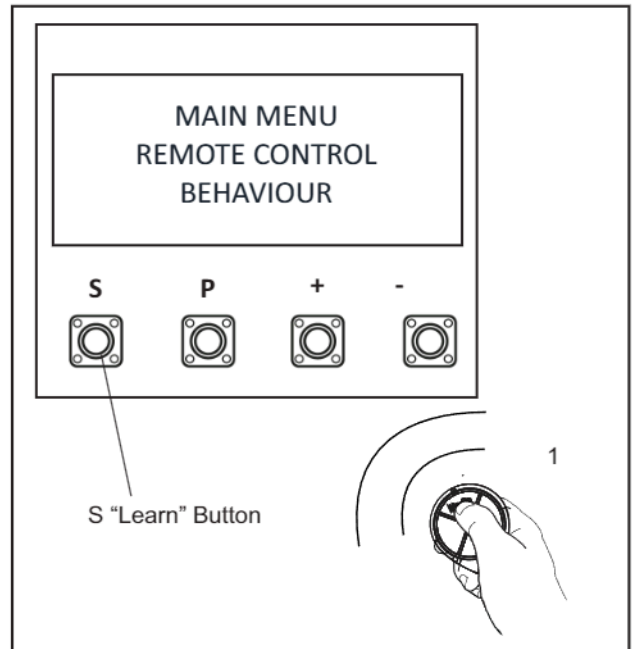
Activate the opener only when the gate is in full view, free of obstruction and properly adjusted. Do not allow children to operate push button(s) or transmitter(s). Do not allow children to play near the gate.

NOTE: The transmitter(s) supplied with your opener are preprogrammed by the factory. If you purchase additional transmitters, the gate opener must be programmed to accept the new transmitter code.

Programming of Remote Controls

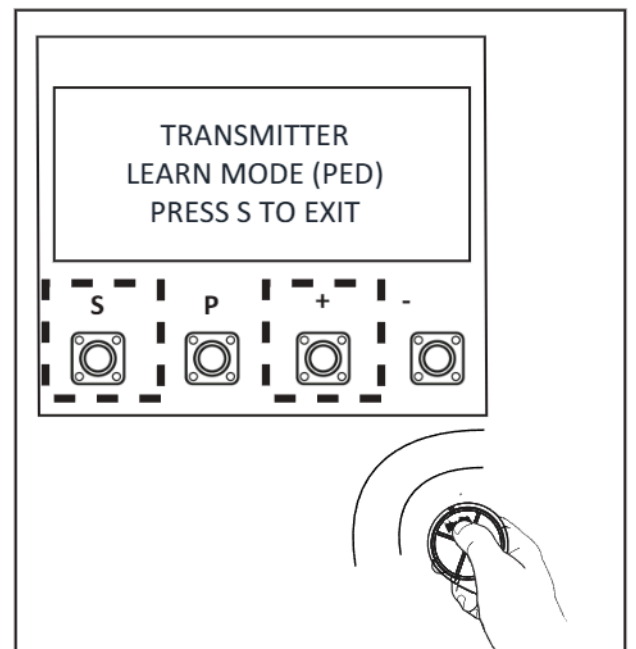
1. Press and hold the button on the hand-held transmitter or wall button that you wish to use.
2. Press and release the "S" button on the opener.
3. Release the remote control button after 3 seconds. It has learnt the code.
4. The screen will change to TRANSMITTER LEARNED before changing back to the STANDBY screen.

Now the opener will operate when the transmitter button is pressed.



Programming of Remote Controls to activate Pedestrian mode

1. Press and Hold the button on the hand-held transmitter or wall button that you wish to use.
2. Press and release the "S" and "+" buttons simultaneously on the opener.
3. Release the remote control button after 3 seconds. It has learnt the code.
4. The screen will change to TRANSMITTER LEARNED (PED) before changing back to the STANDBY screen.



To Erase all Transmitter Codes

1. Press and hold the "S" button on the opener for approx. 6 seconds.
2. Release the button, all codes are now erased.
3. The screen will change to ALL TRANSMITTERS ERASED before changing back to the STANDBY screen.

45 MYQ SETUP – MYQ GATEWAY INSTALLATION (OPTIONAL)

The entire range of Merlin gate openers are myQ Capable and the below icon should be seen on the gate opener.



WARNING: Important Safety Instructions:

To prevent possible serious injury/death, or property damage read and follow all instructions carefully.

The myQ® gateway is an accessory that can be purchased individually or as part of the myQ Connectivity Kit.

How To Connect The Merlin Gate Opener:

Scenario 1:

If the homeowner currently already has a Merlin gate opener or other device that is connected to the myQ App via a myQ® gateway accessory, the homeowner will need to:

- Purchase a Merlin gate opener that is myQ compatible (the latest range of Merlin gate openers are all myQ compatible)
- Ensure the Merlin gate opener is installed
- Purchase a set of the Protector System (Safety IR Beams) 772ANZ model or HPS15 Reflector Safety IR Beams
- Ensure the 772ANZ Protector System (Safety IR Beams) or HPS15 Reflector Safety IR Beams are installed
- Add the gate opener as an additional device to the myQ gateway through the myQ App.

Scenario 2:

If the homeowner doesn't have any myQ compatible products connected to the myQ App via a myQ® gateway accessory, the homeowner will need to:

- Purchase a Merlin gate opener that is myQ compatible (the latest range of Merlin gate openers are all myQ compatible)
- Ensure the Merlin gate opener is installed
- Purchase the gate myQ Connectivity Kit that includes 1 x myQ Gateway and 1 x 772ANZ Protector System (Safety IR Beams)
- Ensure the 772ANZ Protector System (Safety IR Beams) or HPS15 Reflector Safety IR Beams are installed
- Ensure the myQ Gateway is connected to the home internet router (refer to instructions on the next page)
- Create a myQ Account (if none exists) and sign into the myQ App
- Add the myQ Gateway to the myQ account in the myQ App
- Add the gate opener as an additional device to the myQ gateway through the myQ App (see page 38 for more details)

The myQ Gateway: is designed to operate with Merlin Gate openers and all the SAFETY INSTRUCTIONS detailed in this manual need to be observed.

Unattended Operation: The myQ Gateway allows operation of the gate via a smart phone, without visual monitoring. Never allow anyone to pass through, or leave obstacles in the area of a moving gate. Persons, pets and vehicles should remain clear until the gate has completely stopped.

Automatic Gate: The gate may operate unexpectedly, therefore do not allow anything to stay in the path of the gate.

The Protector System™ (Safety IR Beams) 772ANZ or HPS15 Reflector Safety IR Beams: For SAFE operation of the gate, the Protector System™ MUST BE INSTALLED and be fully functional. The gate will not operate if the Protector System™ is not functional.

45 MYQ SETUP – MYQ GATEWAY INSTALLATION (OPTIONAL) CONTINUED



WARNING: Important Safety Instructions:

Do not allow children to play near the gate, or with any gate controls, including remotes, Smartphones that has the myQ App installed.

INSTALLATION INSTRUCTIONS

A. Before You Begin

You must have – (check which scenario is relevant to this install and setup)

Scenario 1 (Already have a myQ device connected)

- A Merlin myQ compatible gate opener (All current Merlin gate openers are myQ compatible)
- The Protector System (Safety IR Beams) 772ANZ or HPS15 Reflector Safety IR Beams model

Scenario 2 (No myQ device connected)

- A Merlin myQ compatible gate opener (All current Merlin gate openers are myQ compatible)
- A router, with an active Broadband internet connection and a spare 10 Mbps Ethernet port
- myQ Gateway accessory 828AU model
- 5 VDC Power Pack (supplied with myQ Gateway)
- Ethernet Cable (supplied with myQ Gateway)
- The Protector System (Safety IR Beams) 772ANZ model or HPS15 Reflector Safety IR Beams model

B. Installation Process

- Gate Opener: Install the Merlin Gate Opener to a fully functional gate using the installation instructions included in this manual.
- Protector System (Safety IR Beams) 772ANZ or HPS15 Reflector Safety IR Beams:
Install the Protector System (Safety IR Beams) 772ANZ supplied with the gate myQ Connectivity Kit or as an individual accessory.

NOTE: The Protector System (Safety IR Beams) 772ANZ must be installed and operational for myQ to operate.

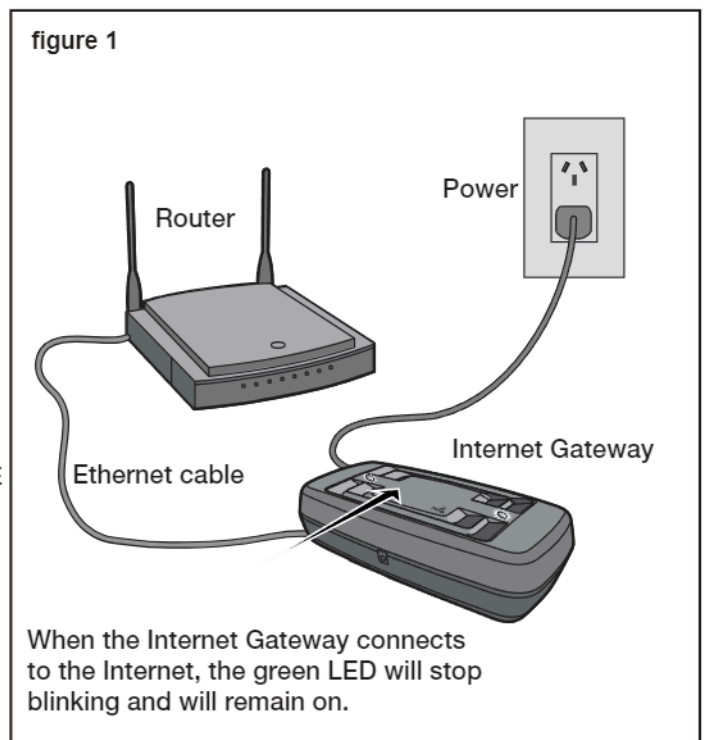
myQ Gateway

Connect the myQ Gateway by following the below steps.

Step 1 – Connect & Create

- Connect to the home internet router and power (figure 1)
- Download the free myQ App by visiting the App Store or Google Play Store
- You must have a valid email address to create a myQ account
Enter your information and click submit, an email will be sent to you to confirm your valid email address. If you do not get a confirming email, check your spam email folder or try creating the account again, being careful to spell the email address correctly
- When the myQ Gateway powers up, the GREEN LED and BLUE LED will blink 3 times to indicate a correct power connection and reset of the myQ Gateway. After power up, the LEDs will indicate the status of the myQ Gateway.
- If the GREEN LED is off after connecting the myQ Gateway to your router, check the Ethernet cable connection to your router. It must be in the LAN port, (normally numbered 1 – 4). If the GREEN LED is still off, try another port on your router. If you still cannot get a solid GREEN LED check your internet is ON, refer to gomerlin.com.au or gomerlin.co.nz. For further support contact Merlin Technical Support at customerservice@chamberlainanz.com.

figure 1



45 MYQ SETUP – MYQ GATEWAY INSTALLATION (OPTIONAL) CONTINUED

Step 2 – Register The myQ Gateway & Add Devices

Once you have successfully created your myQ® account, you must add the myQ® Gateway to the account. It is easy to do from your Internet enabled smartphone.

- To add the myQ® Gateway to your account, the GREEN LED on the myQ® Gateway must be on continuously. If the GREEN LED is not continuously on, see Step 1, Connect & Create. The myQ® Gateway must have an Internet connection for the phone to find it.
- Using the myQ® app, add the myQ® Gateway. Click on the plus symbol icon (bottom right corner), select “Device” then select “Internet Gateway” to add the myQ® Gateway.
- If this is the first myQ® Gateway connected to the account, the screen may already be at the step of “Register Gateway”. You will need the SERIAL NUMBER from the bottom label of the myQ® Gateway. The serial number is a series of ten characters, 0 – 9 or a – f. Be sure to use the correct characters (e.g., an eight “8” instead of an “B”) and keep the character spacing correct (XXXX-XXX-XXX).
- Name the myQ® Gateway (e.g., “123 Main Street” or “Home Sweet Home”). Click “Save and Close” to complete this step.
- You can add myQ® devices like the gate opener from the “Device Management” screen in the app. Under “HUBS”, select your Gateway, click “Add New” and select a device to add, then follow the steps to complete the set-up. Once you click NEXT you have 3 minutes to go to the gate opener and press it’s learn button.
- The myQ® Gateway will pair to the opener. Once a device is programmed, it will appear on the screen. You can then name the device (e.g., front gate, etc.). The Blue LED light on the Gateway indicates an opener is paired to the Gateway.

For Troubleshooting, Diagnostics and other information, scan the below QR code:



iPhone® is a registered trademark of Apple Inc

Android™ is a registered trademark of Google Inc.

OPERATION AND MAINTENANCE

46 ERROR CODES



To reduce the risk of **SEVERE INJURY** or **DEATH**:

- Disconnect **ALL** power **BEFORE** performing **ANY** maintenance.
- **ALL** maintenance **MUST** be performed by a professional installer.
- **ALWAYS** wear protective gloves and eye protection when changing the battery.
- If the supply cord is damaged, it **MUST** be replaced by the manufacturer, its service agent or similarly qualified persons in order to avoid hazard.

Error	Problem	Action Required	How to Clear
ERR: APPLICATION	<ul style="list-style-type: none"> • AP is set to 00 • Motor application type not selected 	<ul style="list-style-type: none"> • Check if AP is set to 00. • If yes, change to correct application setting. • Reset Basic Settings 	<ul style="list-style-type: none"> • Press and hold 'P' for 5 seconds to open the Main menu. • Scroll though and select the correct Motor Application. • Press 'P' to confirm. • Complete Basic Settings if required. • Press and hold 'P' to exit.
ERR: IR1 ERR: IR2 ERR: IR3	<ul style="list-style-type: none"> • IR# is not connected, or open circuit • IR# wire has a short circuit • IR# is connected reverse polarity • IR# is not aligned correctly • IR# is sensing an obstruction 	<ul style="list-style-type: none"> • Check the Protector System has been installed and connected correctly. • Check the cables for any breaks or damage. • Check for a short between the IR terminals • Check polarity of the installed Protector System • Check for incorrect accessories wired into the IR terminals. • Check the Protector System for alignment or an obstruction. 	<ul style="list-style-type: none"> • Auto reset once obstruction is clear or Protector System is realigned. (may take up to 16 seconds)
ERR: SAFETY EDGE	<ul style="list-style-type: none"> • The Safety Edge is not connected • The Safety Edge is not connected with an 8.2KΩ resistor • The Safety Edge has a short circuit • The Safety Edge being pressed 	<ul style="list-style-type: none"> • Check the Safety Edge has been installed and connected correctly. • Check the 8.2KΩ resistor is connected. • Check for a short in the cabling • Check for incorrect accessories wired into the Safety Edge terminals. • Check the Safety Edge is not being pressed. 	<ul style="list-style-type: none"> • Auto reset once Safety Edge is not pressed (may take up to 16 seconds)
ERR: STOP INPUT	<ul style="list-style-type: none"> • STOP switch is open • STOP Switch is not connected 	<ul style="list-style-type: none"> • Check if the STOP switch is open circuit or damaged. • Check if the STOP switch has been disconnected. If so, reconnect, or install a small loop wire to replace the STOP switch closed contact. 	<ul style="list-style-type: none"> • Auto reset once the issue has been resolved. (may take up to 16 seconds)
ERR: MAGNET	<ul style="list-style-type: none"> • Limit Switch Sensor is not connected or is connected incorrectly. • Limit Switch Magnet and Limit Switch Sensor not aligned. • The fuse is blown 	<ul style="list-style-type: none"> • Check if the Limit Switch Sensor is connected correctly. • Check if the Limit Switch Magnet and Limit Switch Sensor are aligned. • Check if the fuse is blown. 	<ul style="list-style-type: none"> • Auto reset once the issue has been resolved. (may take up to 16 seconds)

OPERATION AND MAINTENANCE

46 ERROR CODES

Error	Problem	Action Required	How to Clear
ERR: MOTOR1 ERR: MOTOR1	<ul style="list-style-type: none"> PCB has detected a motor failure 	<ul style="list-style-type: none"> Power down the gate operator for 20 seconds. Once the gate has been powered up again, check if the PCB has reset. If not, change the PCB. 	<ul style="list-style-type: none"> Power down for 20 seconds and power on to reset.
ERR: PCB	<ul style="list-style-type: none"> PCB memory failure 	<ul style="list-style-type: none"> Power down the gate operator for 20 seconds. Once the gate has been powered up again, check if the PCB has reset. If not, change the PCB. 	<ul style="list-style-type: none"> Power down for 20 seconds and power on to reset.
ERR: OBSTR. MOT1 ERR: OBSTR. MOT2	<ul style="list-style-type: none"> Motor # is blocked and unable to move 	<ul style="list-style-type: none"> Check the motor is free to move. Clear any obstruction. Check any pivot points or track for debris jamming the motor or gate. 	<ul style="list-style-type: none"> Auto reset once the issue has been resolved. (may take up to 16 seconds)
ERR: MOTOR1 RPM ERR: MOTOR2 RPM	<ul style="list-style-type: none"> Motor # is stalled or RPM is damaged 	<ul style="list-style-type: none"> Check if the motor is stalled or RPM is damaged 	<ul style="list-style-type: none"> Auto reset once the issue has been resolved. (may take up to 16 seconds)
ERR: RADIO	<ul style="list-style-type: none"> Radio module failure 	<ul style="list-style-type: none"> Power down the gate operator for 20 seconds. Once the gate has been powered up again, check if the PCB has reset. If not, change the PCB. 	<ul style="list-style-type: none"> Power down for 20 seconds and power on to reset.
ERR: BATTERY	<ul style="list-style-type: none"> Battery Voltage is low 	<ul style="list-style-type: none"> Check the battery voltage Charge battery 	<ul style="list-style-type: none"> Auto reset once the issue has been resolved. (may take up to 16 seconds)
ERR: SYNC	<ul style="list-style-type: none"> SYNC connector is short circuited 	<ul style="list-style-type: none"> Check if the SYNC connector is short circuited. 	<ul style="list-style-type: none"> Auto reset once the issue has been resolved. (may take up to 16 seconds)
ERR: LIMITS	<ul style="list-style-type: none"> Incorrectly pressing 'P' during limit learning 	<ul style="list-style-type: none"> Relearn limits Reset basic Settings 	<ul style="list-style-type: none"> Relearn limits Complete Basic Settings if required.

47 ACCESSORIES

1. E148M	4 Channel Wireless wall button	11. 921GA-CP4	Loop Detector (not shown)
2. E980M	4 Channel transmitter	12. ELOCK-H/ELOCK-V	E-Lock (not shown)
3. E970M	4 Channel transmitter	13. MG-485AU	Maglock (not shown)
4. E960M	4 Channel transmitter	14. CP4	Vehicle Sensing Probe (not shown)
5. E964M	4 Channel visor transmitter	15. 002A2331	6 Pin Wire Harness (not shown)
6. E840M	Keyless entry system	16. Model GWS-L24X	Flashing Lamps (not shown)
7. E850M	Wireless Keypad	17. Model GWS-S24	Sounders (not shown)
8. 772ANZ	The Protector System™	18. PU100	Emergency Stop Switch (not shown)
9. HPS15	Reflector Safety Beams	19. AT000	Timer (24h) (not shown)
10. MGBBU	Battery Backup (not shown)		

E148M



E980M



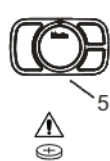
E970M



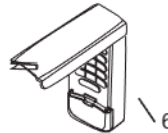
E960M



E964M



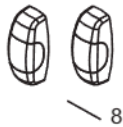
E840M



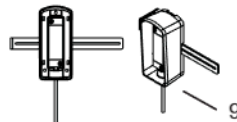
E850M



772ANZ



HPS15

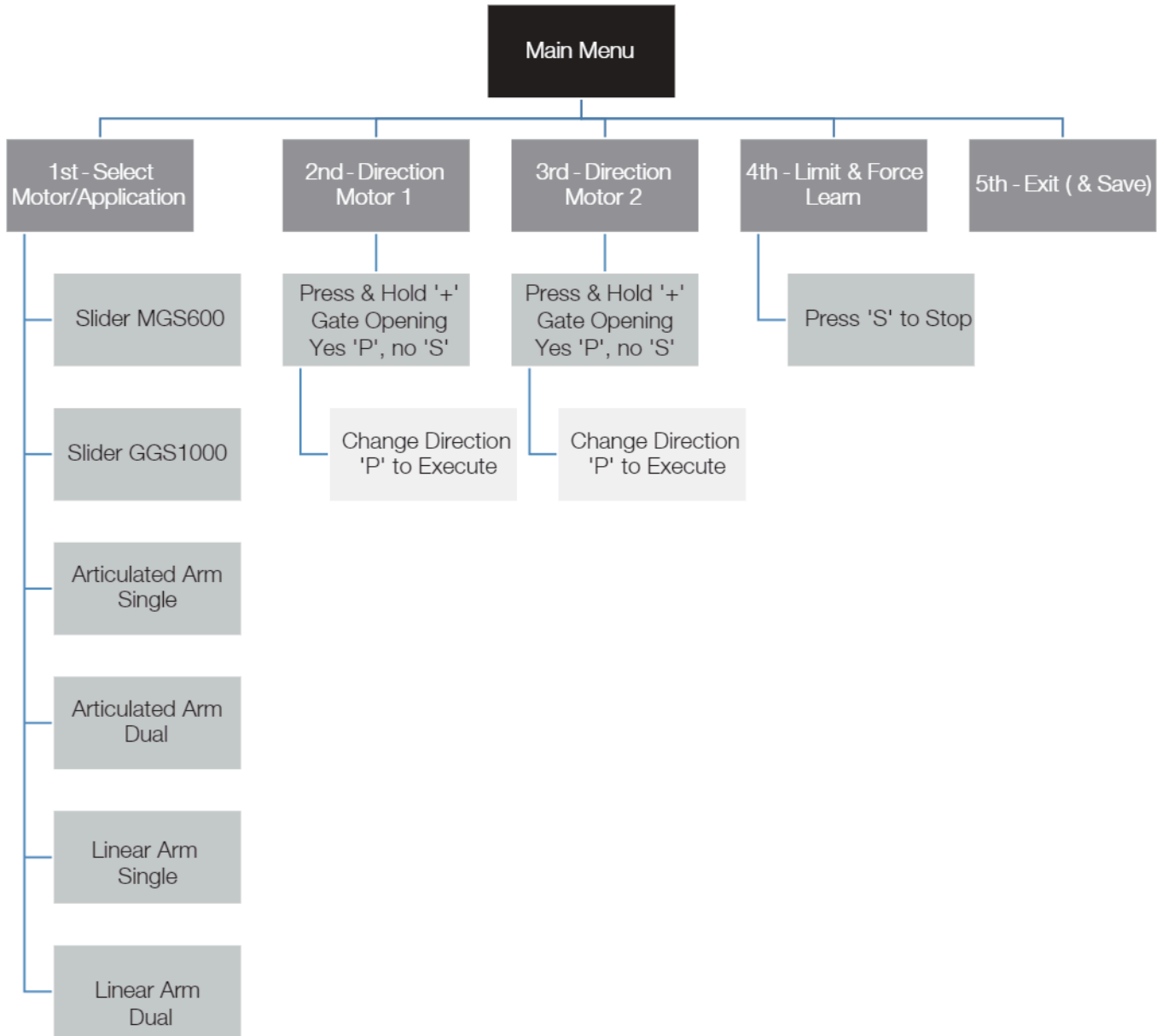


WARNING! This product contains a button/coin cell battery.

- The battery is hazardous.
- Keep new and used batteries away from children.
- Do not ingest battery. Chemical burn hazard.
- If the coin cell battery is swallowed or placed inside any part of the body, it can cause severe or fatal injuries in 2 hours or less.
- If the battery compartment does not close securely, stop using the product and keep away from children.
- If you think batteries might have been swallowed or placed inside any part of the body, call the 24-hour Poisons Information Centre on 13 11 26 in Australia, or the 24-hour National Poisons Centre on 0800 764 766 in New Zealand, or seek immediate medical attention.
- Dispose of used coin/button cell batteries immediately and safely. Flat batteries can still be dangerous.

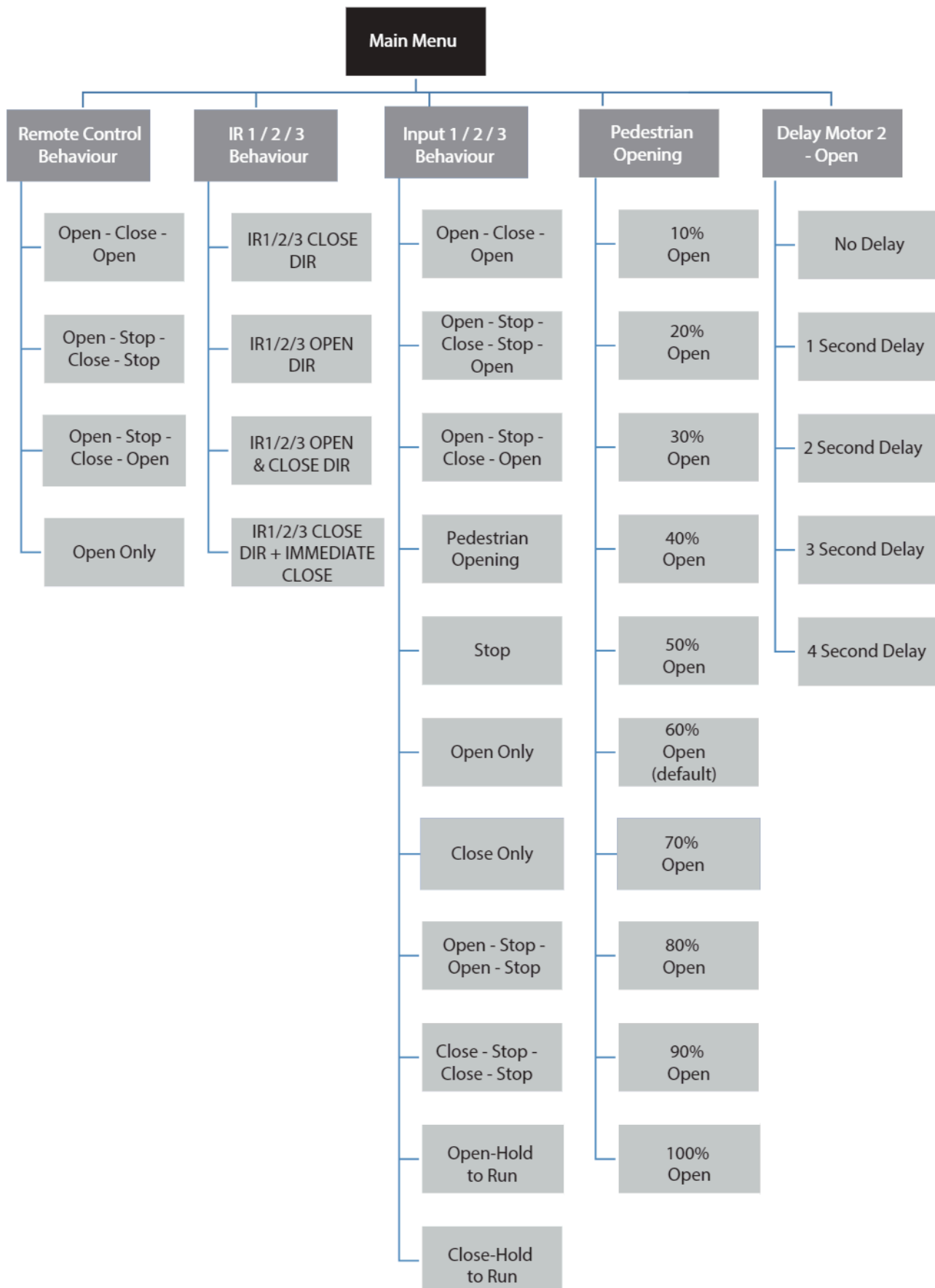
PROGRAMMING FLOW CHART

48 BASIC SETTINGS - PART 1



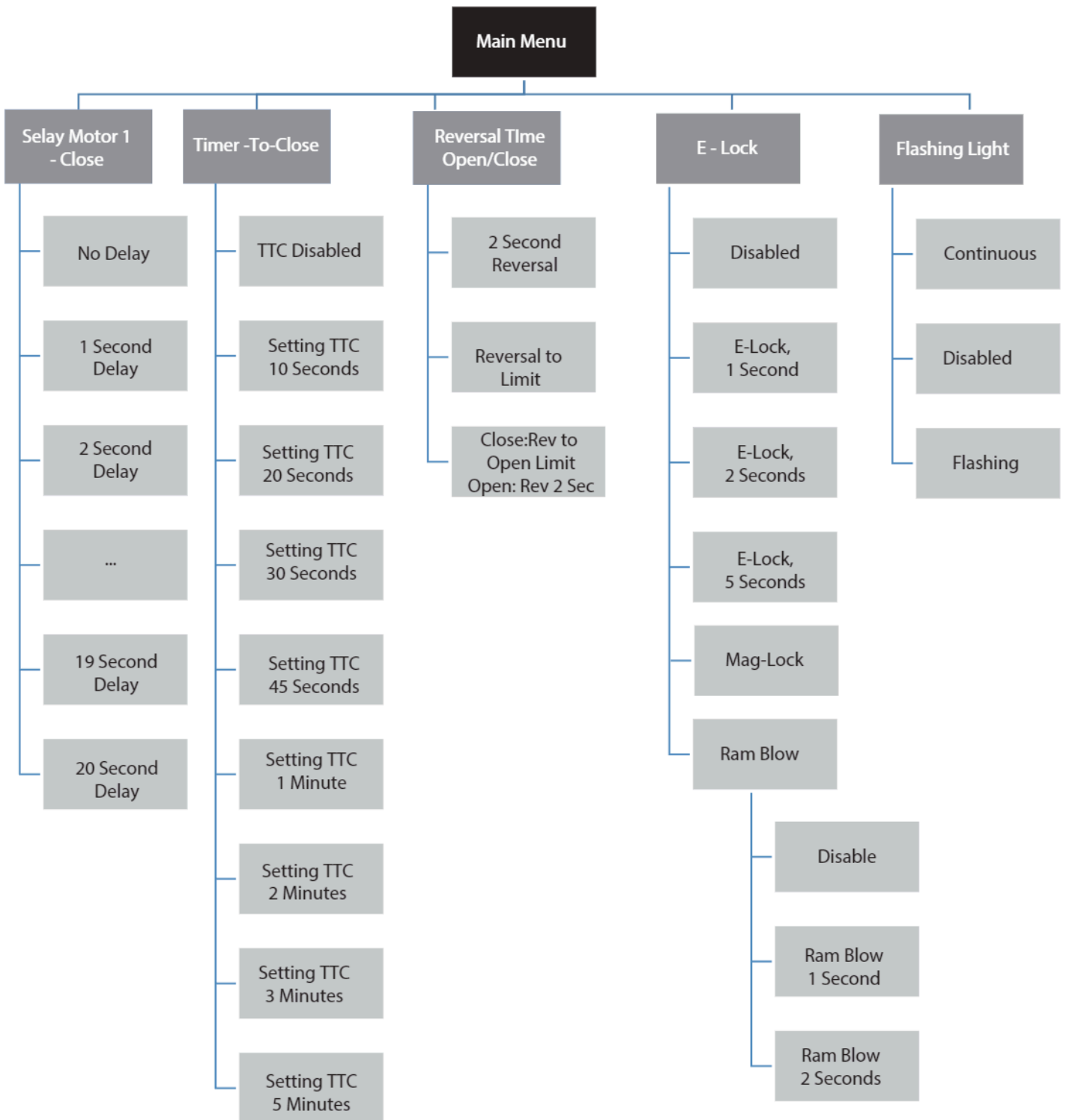
PROGRAMMING FLOW CHART

48 BASIC SETTINGS - PART 2



PROGRAMMING FLOW CHART

48 BASIC SETTINGS - PART 3



PROGRAMMING FLOW CHART

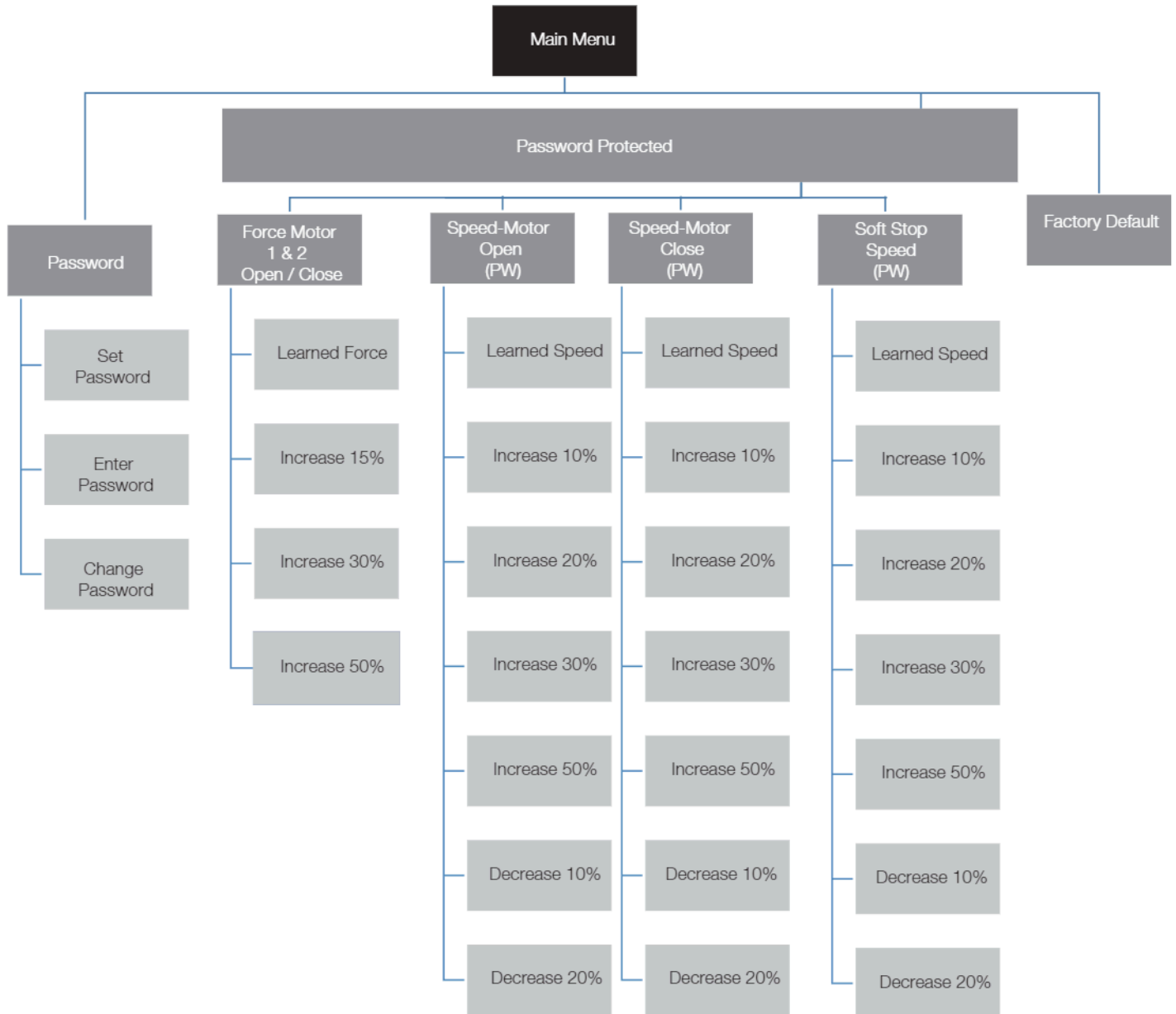
48 BASIC SETTINGS - PART 4



PROGRAMMING FLOW CHART

48 ADVANCED SETTINGS

Advance Settings - Fine tuning force, speed and delay settings. Note percent value is relative to learned value e.g. 'increase 15%' is a 15% increase over the learned setting.



DON'T FORGET

Warranty Registration

To validate your warranty you must complete the registration form online at:

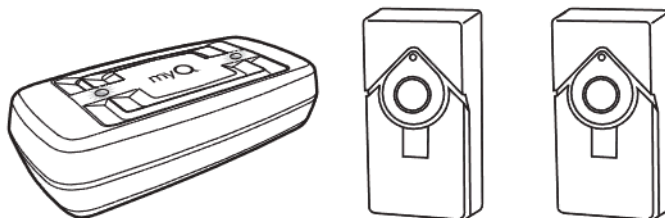
gomerlin.com.au/warranty
or
gomerlin.co.nz/warranty

Merlin[®]
Powering Garage Doors

Get Connected with



Additional purchase of the myQ Connectivity Kit is required to enable myQ functionality.



Visit www.gomerlin.com.au or
www.gomerlin.co.nz
for more details.



WARRANTY

Limited Warranty in Australia and New Zealand

Merlin® Professional Swing L 300

Linear Articulated Gate Opener

1 Your consumer rights and guarantees

This Limited Warranty is provided by Chamberlain Australia Pty Ltd, Chamberlain New Zealand Limited (**Chamberlain**), contact details in Section 5 below. This Limited Warranty applies to the Merlin® Professional Swing L 300 unit (**Unit**) purchased in Australia and New Zealand, and gives you benefits which are in addition to your consumer rights and remedies under the Australian Consumer Law (or corresponding New Zealand consumer protection laws).

You can find out more information about your consumer rights and guarantees which the law provides in Australia at www.accc.gov.au, in New Zealand at www.consumerprotection.govt.nz. We also provide this statement as required under the Australian Consumer Law.

Our goods come with guarantees that cannot be excluded under the Australian Consumer Law. You are entitled to a replacement or refund for a major failure and for compensation for any other reasonably foreseeable loss or damage. You are also entitled to have the goods repaired or replaced if the goods fail to be of acceptable quality and the failure does not amount to a major failure.

2 What does our Limited Warranty cover?

Chamberlain warrants that, when purchased new in Australia or New Zealand, the Unit (all parts of the Unit other than globes and batteries) is free from defects in materials and workmanship (**Limited Warranty**) for the Limited Warranty period, subject to the terms and conditions of this Limited Warranty.

The Limited Warranty period (for Accessories see below) is 3 years (36 months) or 150,000 cycles (each opening and closing of the gate equals 1 cycle) whichever comes first, from the date of purchase of the Unit when installed by a Professional Dealer authorised by Chamberlain in residential premises on a typical gate installation designed for a single-family dwelling, within the indicated specifications.

The Limited Warranty period for remote controlled transmitters and accessories included with the Unit (**Accessories**) is 12 months from the date of purchase.

3 Limited Warranty Conditions

The following terms and conditions apply to your Limited Warranty:

- our Limited Warranty is effective from date of purchase as indicated in Section 2 above;
- proof of purchase of the Unit is required;
- purchaser must ensure the gate is professionally maintained and serviced by a Professional Dealer during the Chamberlain Limited Warranty period such that the gate operates according to manufacturer specifications. If your gate binds or sticks, then it must not be used until serviced by a trained gate technician or authorised dealer. The gate service fee will be at the purchaser's expense;

Please also see the User Manual for the Unit available on our website, or provided at the time of purchase.

4 What is not covered

- Batteries and globes are not covered under the Chamberlain Limited Warranty.
- Travel costs incurred by Chamberlain or its authorised dealer and or trained gate technician in either travelling to and from areas outside a capital city area. These costs will be at the purchaser's expense.
- Additional access costs incurred by Chamberlain or its authorised dealer and or a trained gate technician in obtaining access to premises where the Unit is not readily accessible. These costs will be at the purchaser's expense.

Our Limited Warranty covers defects as explained, and does not cover all problems and mishaps that may occur in relation to the Unit including:

- you got what you asked for but simply changed your mind, found it cheaper somewhere else, decided you did not like the purchase or had no use for it;
- you misused the Unit in any way that caused the problem;
- you knew of or were made aware of any deficiencies with the Unit before date of purchase;
- use of the Unit with controls or third party devices or software which has not been supplied, or pre-approved, by Chamberlain;
- problems relating to or residing in third party hardware, software or other items with which our product is used;
- any loss of data related to you or provided by you, or loss related to downtime associated with use of the product, whether through power outage, failure of internet or wireless connectivity, network disruptions, or otherwise;
- non-compliance with the relevant instructions in the User Manual;

- tampering, neglect, abuse, wear and tear, accident, electrical storm, excessive use or conditions other than normal use;
- problems with, or relating to, the gate hardware, including but not limited to the springs, gate alignment, hinges, guides;
- problems caused by electrical faults or replacement of batteries or light bulbs, blown fuses, electrical surges, power surges or power strikes, fire, flood, rain, water, lightning or storms;
- water or moisture ingress that causes corrosion or electrical malfunction;
- corrosion caused by sea air if located near a waterway, beach etc;
- fitment to a commercial gate or in a commercial operating application, installation of a residential gate opener in a commercial or industrial premises other than a single-family dwelling;
- lack of proper maintenance, service or care of the gate and/or Unit; and/or
- damage caused by insects, pests or other after sale damage caused by events or accidents outside Chamberlain's reasonable control and not arising under normal and standard operating conditions.

5 Where you need help with our product

If you have a problem with the Unit or if you are concerned it may be defective, please contact our Customer Service team below:

Australia Phone toll free 1800 474 326

Fax toll free 1800 888 121

Address Unit 1, 75 Epping Road North Ryde, NSW 2113

Email customerservice@chamberlainnz.com

Website www.gomerlin.com.au

New Zealand Phone toll free 0800 653 667

Auckland phone 09 477 2823

Fax toll free 0800 653 663

Email customerservice@chamberlainnz.com

Website www.gomerlin.co.nz

As a first step, our Customer Service team will provide product support assistance to help you try to resolve the problem and in some cases, replacement parts for "do it yourself repairs". If our technical team need to see the product to determine the nature of the fault, we will arrange an inspection by a trained gate technician, or ask that you send the product to us.

If your product was installed at your premises by an authorised dealer, please contact the installer indicated in your sales documents for prompt on-site service, or consult our Customer Service team if you need help in finding a local service technician. A service fee for on-site service may apply.

Authorisation from Chamberlain is required for warranty service under this Limited Warranty.

6 Delivery Charges

If an inspection is required in order to determine the nature of the fault, please send the Unit freight paid and well packaged in accordance with our instructions. Any costs associated with transporting the Unit will be at Chamberlain's cost if the Unit has breached a statutory consumer guarantee. Repairs and replacement parts provided under this Limited Warranty are free of charge (and repaired items or replacement parts for Units found to be defective will be returned to you at our cost), and warranted by Chamberlain for the remaining portion of the original warranty period. However, if you make a claim under this Limited Warranty, and this Limited Warranty does not apply, or if the law does not provide you with a statutory right or remedy as a consumer, you may be required to pay labour, assessment and/or freight costs and delivery charges to repair, replace and/or return the Unit to you.

7 How to register your product

Please register your Unit and contact details at this link www.gomerlin.com.au/warranty-registration/ for Australia, or www.gomerlin.co.nz/register-your-warranty/ for New Zealand, so that we or your authorised installer can locate your details and provide you with product support assistance as quickly as possible, and keep you up to date with product updates. Registration can also be done by contacting Chamberlain Customer Service.

8 Important Reminder

All other guarantees (other than your statutory rights and guarantees as a consumer under applicable laws) are excluded to the fullest extent that we may lawfully do so. Unless the law requires us to do so, we do not accept any other liability, such as compensation for damages, injury or loss.

Last updated: 12th July 2024