

# Merlin<sup>®</sup> with Security<sup>+</sup> 2.0

## WEATHER RESISTANT UNIVERSAL RECEIVER MODEL E860

### APPLICATION

The receiver can be used as a single or three channel receiver to control up to 3 gates, commercial operators or residential door openers. The receiver can also be used with a 3-button remote control to operate the OPEN, CLOSE and STOP feature on a commercial door operator.

The E860 Weather Resistant Universal Receiver may be mounted in outside locations that may be exposed to rain or moisture.

Each channel is compatible with a specified number of remote controls and keypads. Refer to the list below:

- CH1: 50 remote controls and 2 separate keypads
- CH2: 20 remote controls and 2 separate keypads
- CH3: 20 remotecontrols and 2 separate keypads

CH1 & CH2 have Normally Open dry contact outputs.

CH3 has both Normally Open & Normally Closed dry contact outputs.

When the channel has reached full capacity for remote controls, all LEDs will blink 3 times. When the channel has reached full capacity for keypads, all LEDs will blink 4 times. Additional accessories can be programmed, however, the newly programmed accessory will replace the first programmed accessory.

**NOTE:** The receiver will only allow you to program a button on the remote control to one channel at a time. For example, if the button on the remote control or keypad is already programmed to channel 1 and then is programmed to channel 3, the button will be erased from channel 1 and will only work on channel 3.

#### Momentary Closure:

The outputs are automatically programmed for a momentary closure of 0.4 seconds when using hand held remote controls E945M, etc.

#### Constant Closure Output:

The outputs are automatically programmed to remain closed when receiving a constant signal (press & hold) only when using Keypads and wireless wall controls (E840M, E128M, E138M etc).



### INSTALLATION

1. Select a convenient location near the opener to be controlled by the receiver within "line of sight" of the intended transmitting location.

**NOTE: Avoid mounting the receiver in a metal enclosure or near other wireless receiving or transmitting devices.**

2. Mount the bracket to the desired surface with appropriate hardware (not provided) ( Figure 1).
3. Remove the 4 (#8) screws on the back of the receiver and remove the faceplate.
4. Make wiring connections (Figures 2,3 & 4). Refer to your gate or commercial door opener owner's manual for more specific information. Connect power from your operator, or from a powerpack, to the PWR terminals (9-30 VAC or 12-40 VDC).
5. Refer to the PROGRAMMING instructions in this manual and program the remote controls to the receiver.
6. Secure the faceplate with the 4 (#8) screws previously removed.
7. Install the antenna provided.
8. Snap the receiver onto the mounting bracket and secure with the (#8) screws provided.
9. Tighten the watertight connector to secure and seal the wiring.

### ⚡ ⚠ WARNING

To prevent possible SERIOUS INJURY or DEATH from electrocution:

- Be sure power is NOT connected BEFORE installing the receiver.
- To prevent possible SERIOUS INJURY or DEATH from a moving gate or garage door:
- ALWAYS keep remote controls out of reach of children. NEVER permit children to operate, or play with remote control transmitters.
  - Activate gate or door ONLY when it can be seen clearly, is properly adjusted, and there are no obstructions to door travel.
  - ALWAYS keep gate or garage door in sight until completely closed. NEVER permit anyone to cross path of moving gate or door.

### ⚠ WARNING

To prevent possible SERIOUS INJURY or DEATH, the use of CONSTANT OPERATION on residential openers is PROHIBITED.

When a receiver is used to activate a commercial door opener, a reversing edge MUST be installed on the bottom of the door. Failure to install a reversing edge under these circumstances may result in SERIOUS INJURY or DEATH to persons trapped beneath the door.

### WIRING

Refer to your commercial door operator or gate operator owner manual or wiring diagrams for specific wiring information.

Figure 1

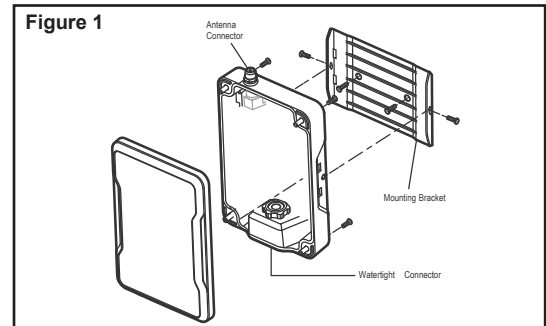


Figure 2

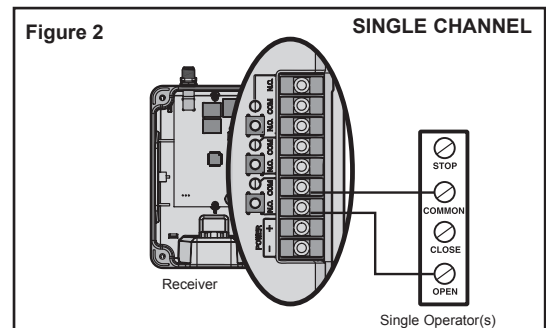
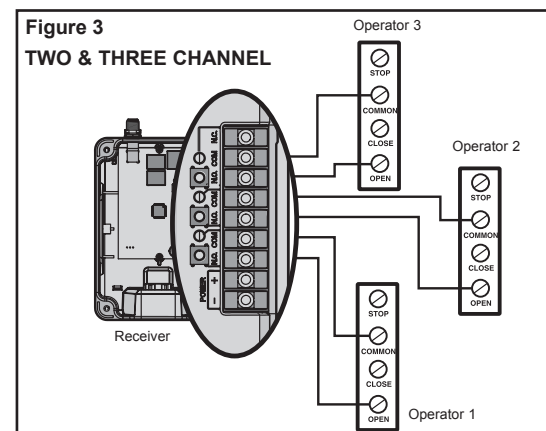
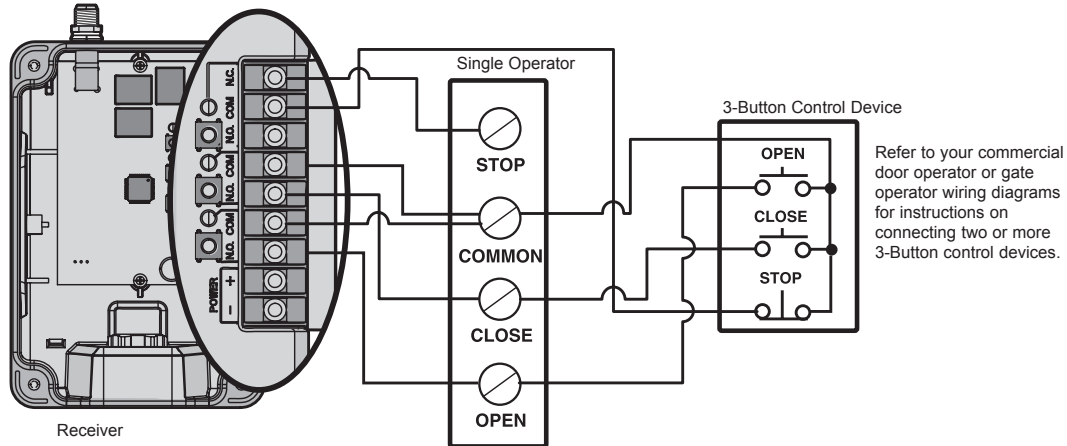


Figure 3



# WIRING CONTINUED

**Figure 4  
OPEN/CLOSE/STOP**



## PROGRAMMING

### PROGRAM A SINGLE BUTTON REMOTE CONTROL

- 1 Press and release the Learn button for the selected channel on the receiver. The corresponding LED will glow steadily for 30 seconds.
- 2 Within 30 seconds press and hold the button on the remote control that you wish to program to the receiver.
- 3 Release the remote control button when the LED on the receiver blinks, then turns off. Programming is complete.

Repeat the steps above for each remote control you would like to program.

### PROGRAM A 3-BUTTON REMOTE CONTROL AS OPEN, CLOSE, AND STOP

- 1 Press and release the CH1 Learn button on the receiver.
- 2 Within 30 seconds press the desired OPEN button on the remote control.
- 3 Press and release the CH2 Learn button on the receiver.
- 4 Within 30 seconds press the desired CLOSE button on the remote control.
- 5 Press and release the CH3 Learn button on the receiver.
- 6 Within 30 seconds press the desired STOP button on the remote control.

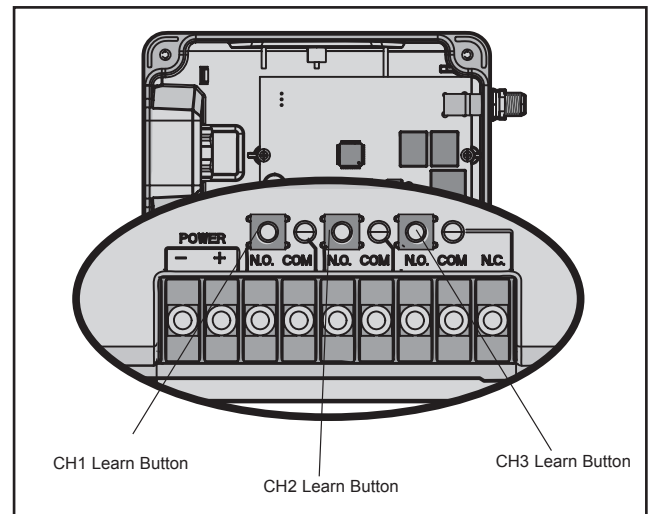
NOTE: If a remote control button is not pressed within 30 seconds, the LED next to the selected Learn button will turn OFF. In that case, repeat the programming.

### TO ERASE THE MEMORY

- 1 Press and hold the Learn button for the channel you want to erase. Release the button when the corresponding LED turns off; the memory has been erased.

FOR TECHNICAL SUPPORT DIAL OUR TOLL FREE NUMBER:

1800 638 234



## SPECIFICATIONS

Contact Rating . . . . . 5 Amps 28 Vac or dc Max.  
 Power . . . . . 9-30V AC or 12-40 VDC, 50mA  
 RF Frequency: . . . . . 433MHz  
 IP Rating . . . . . IP 45

NOTE: If your operator does not meet the power specifications you will need a low voltage power supply.

## COMPATIBLE ACCESSORIES

Remote Controls . . . Models E960M, E945M, E940M, E943M  
 Keypads . . . . . Models E840M  
 Wireless Wall Controls . . . . . Models E128M, E138M  
 Antenna Extension Kits . . . . . Models 86LM  
 Antenna Only . . . . . K77-36541

CHAMBERLAIN AUSTRALIA PTY LTD  
 PO BOX 1446  
 LANE COVE NSW 1595  
 PHONE TOLL FREE: 1800 638 234

CHAMBERLAIN NEW ZEALAND LTD  
 PO BOX 100221  
 NORTH SHORE 0745  
 PHONE TOLL FREE: 0800 MERLIN

gomerlin.com.au  
 gomerlin.co.nz



114A4998A