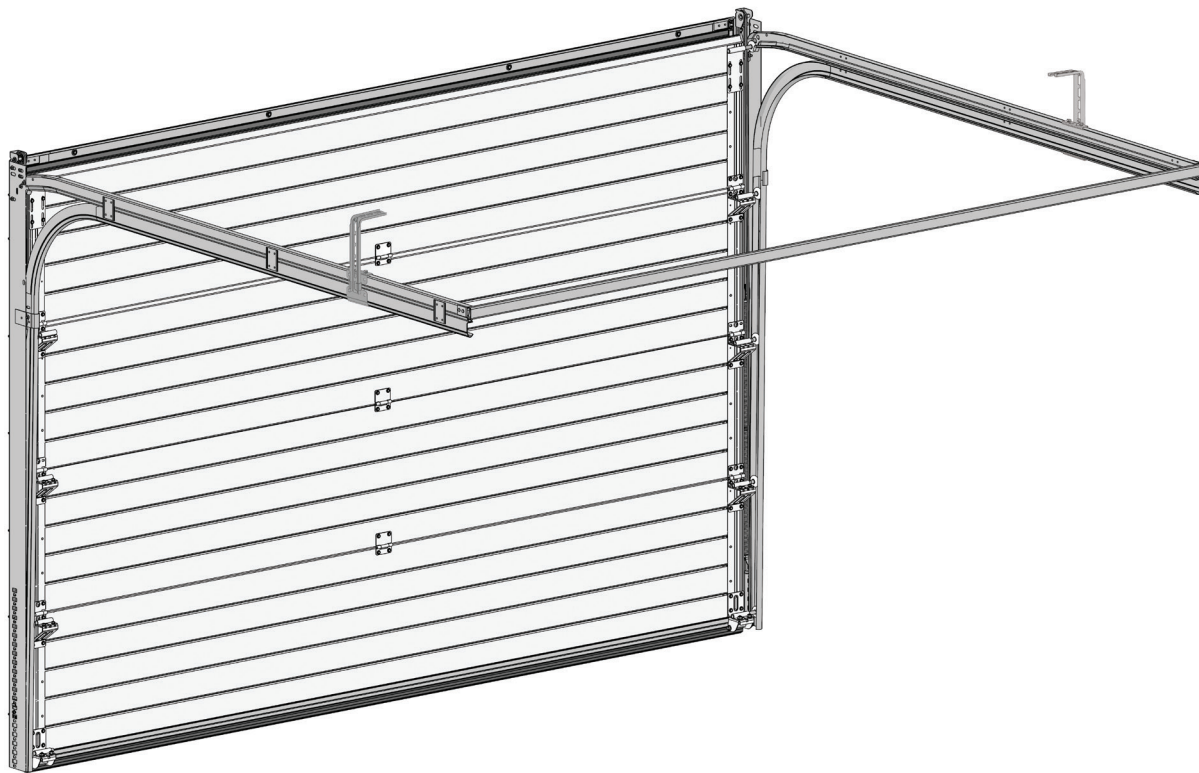


DOORHAN[®]

SECTIONAL DOORS RSD01



INSTALLATION AND OPERATING INSTRUCTIONS

General information

This is the installation manual for the RSD01 sectional doors including the manual for the aluminum frame installation.

The manual contains important information for the installation, safe operation and maintenance of the doors.

Please, keep this manual.

In case of any difficulties or misunderstanding during the installation of the doors, please contact your technical support service (see "Technical support service").

It's strongly forbidden to use and install any parts that are not the original parts of the doors supplied by the manufacturer. Such parts may be installed only with the written confirmation of the manufacturer.

Attention. Keep children away during the installation of the doors. Some parts can injure them.

For the installation of the operator, please read carefully its specific installation manual and follow all the instruction to prevent any damages to the doors and your house.

Before you start to install the doors, please, check that the opening has been prepared according to the supplied technical data.

The opening of the door must be free of any obstacles.

General installation conditions

Installation team recommendations

The installation of the doors can be done by 1 person. However, the manufacturer recommends the installation to be carried out by 2 persons including 1 certified electrician.

Average installation time is 2 hour.

Before starting the installation, please make sure, that you have all the tooling needed for it.

Installation responsibility:

Due to the impossibility to control the installation process by the manufacturer, the installer is held responsible and must prevent any possible risks. He must ensure good quality of fixation to the walls of building.

In any case the manufacturer of the doors will not bear responsibility for possible financial loss, property damages, injuries, or any other possible risks that may appear as the result of the installation.

OPERATION

The doors should move up and down without difficulty. The doors should be balanced.

Manual opening or closing of the doors must be done only using the provided handle. Attention! Never put your fingers between the panels, neither from outside nor from inside the building.

Lock the door using special latch or mechanical lock.

The parts of the doors should be well lubricated.

Keep children and animals out of the doors operation area.

Do not put any obstacles inside the opening and doors track path.

Technical problems

In case of any problems with the product, please call the technical support service.

Technical support service

You can find the information about the hot line for the technical support in the purchasing contract you have got from your vendor.

Please note, that the manufacturer has the right to change the technical specification of the product without notifying the user.

Thank you very much for purchasing our sectional doors.

SYMBOLE



- door element



- incorrect installation



- note



- fastening element



- correct installation



- set level



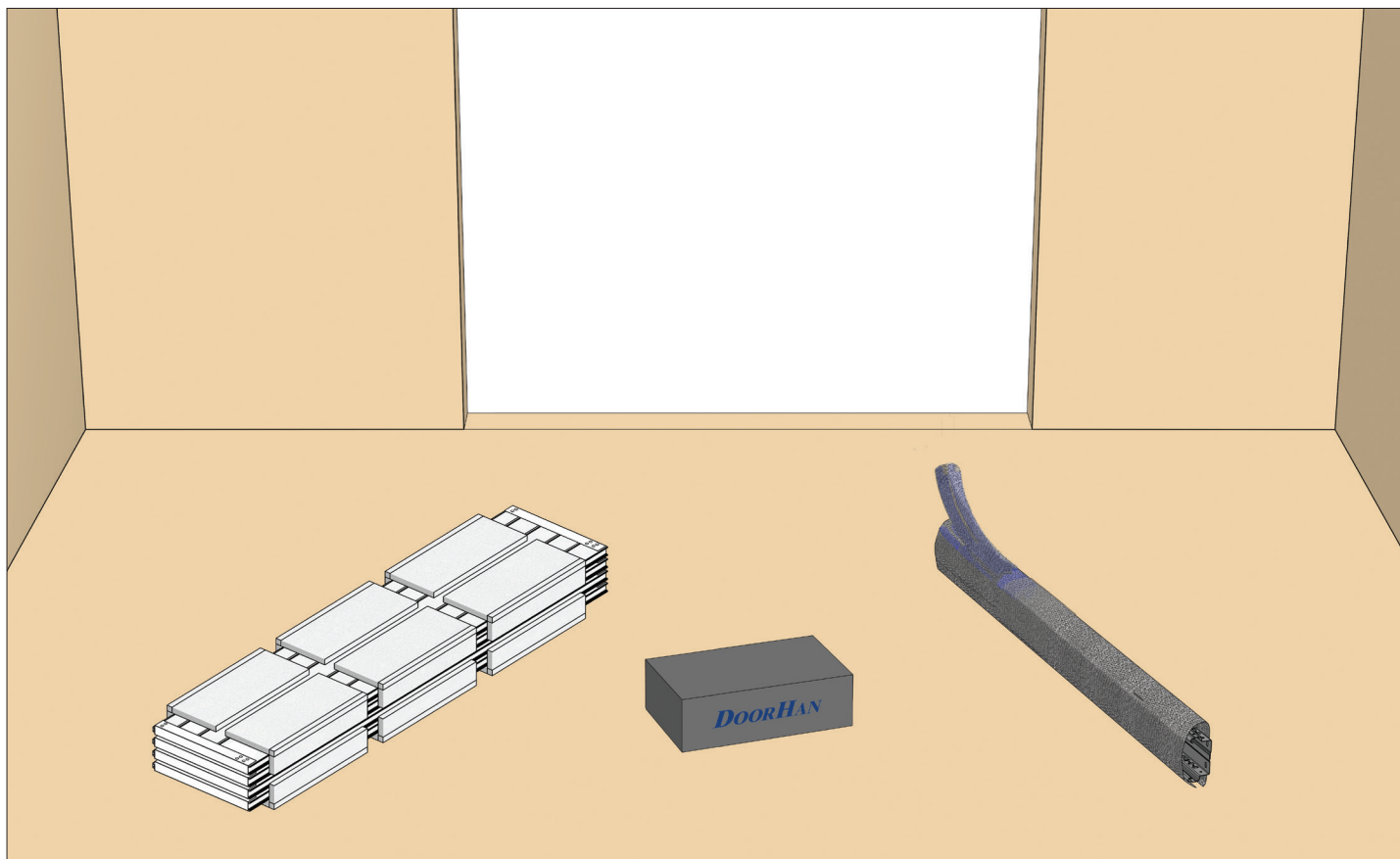
- unpack



- apply force



- dismantling



1,5 m **A**



300 g **B**



5 m **C**



2  **D**



S10 **E**
S13



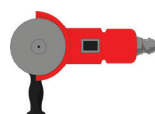
S13 **F**
S10



17 mm **G**
15 mm
14 mm
12 mm
10 mm
4,2 mm



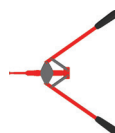
M **H**



I



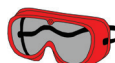
J



K



L



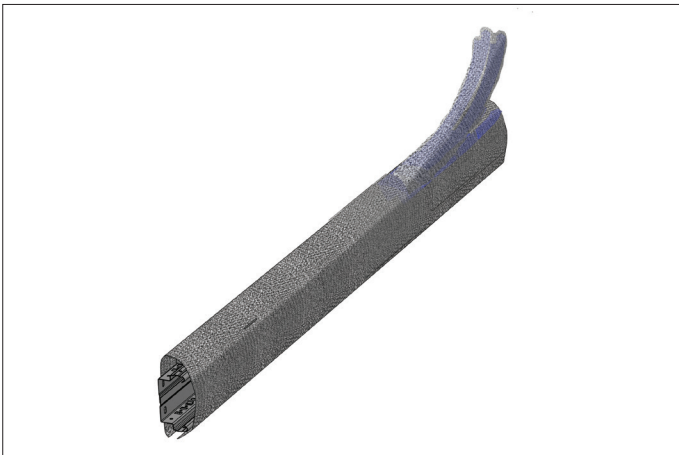
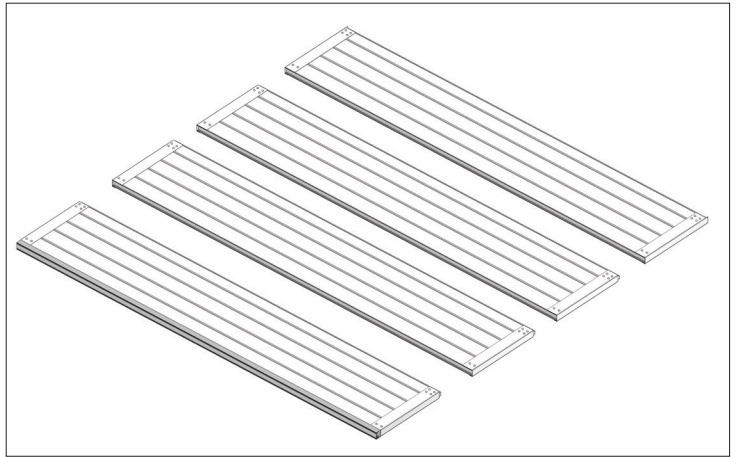
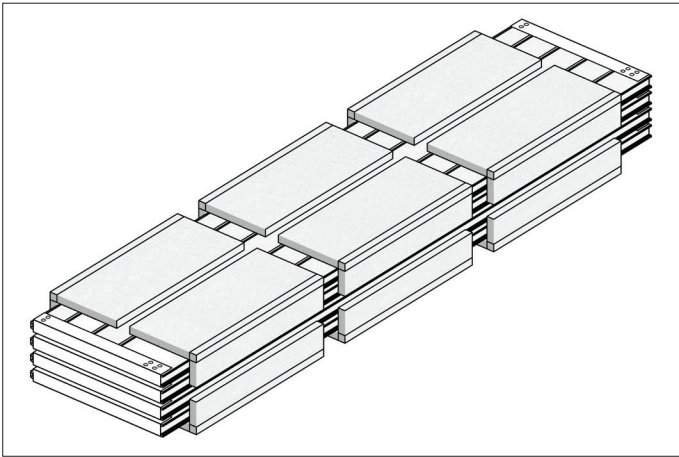
M

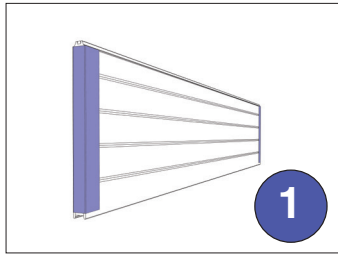


N

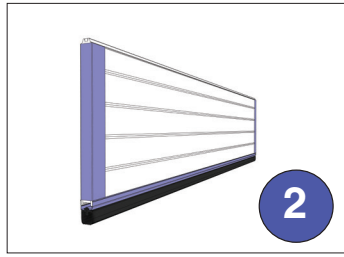


O

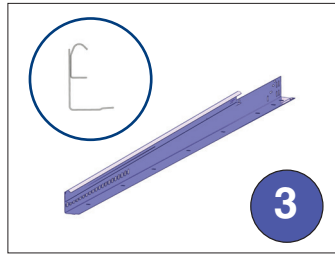




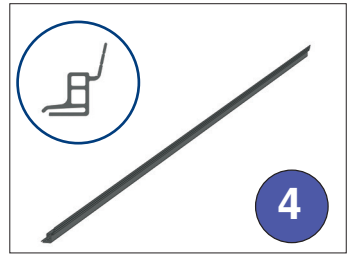
1



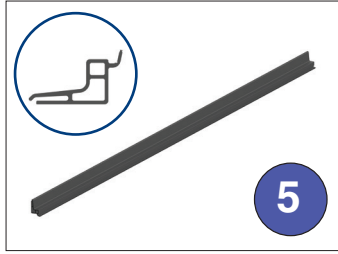
2



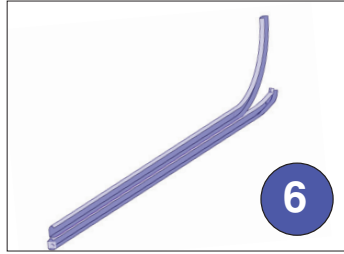
3



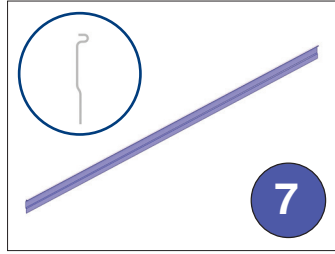
4



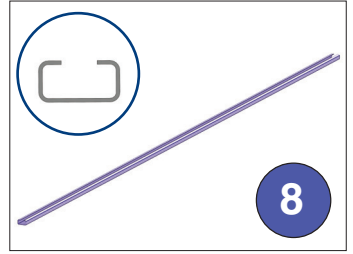
5



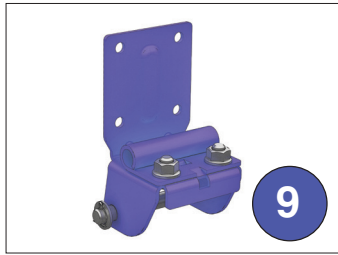
6



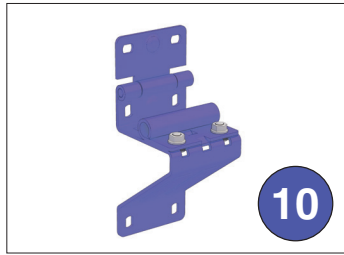
7



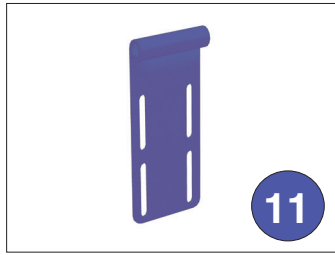
8



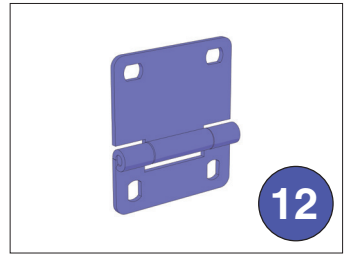
9



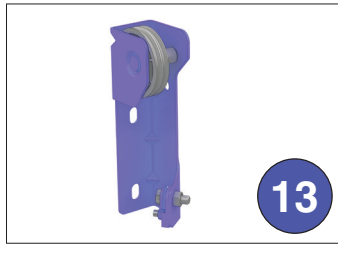
10



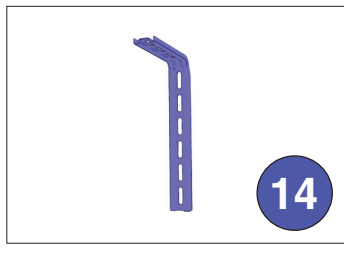
11



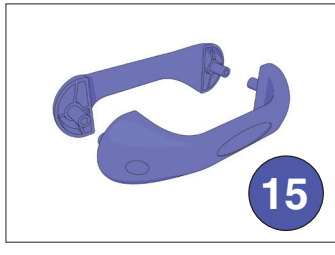
12



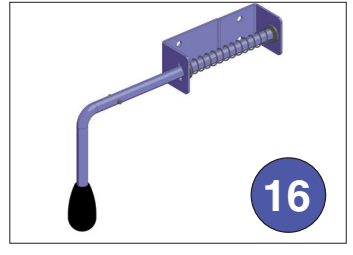
13



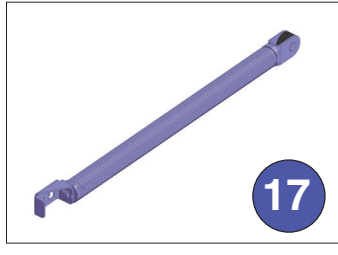
14



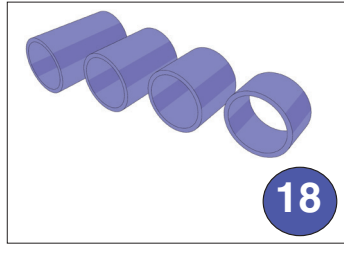
15



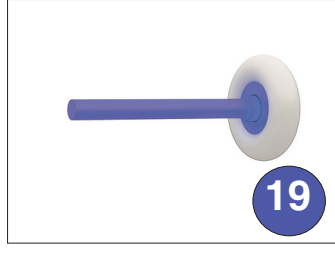
16



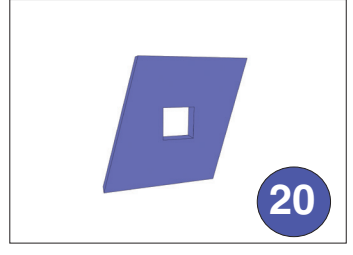
17



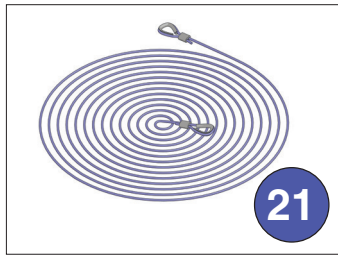
18



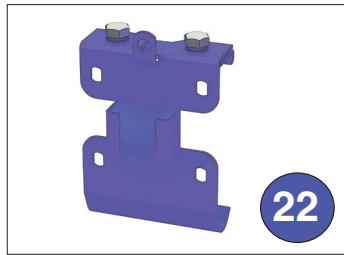
19



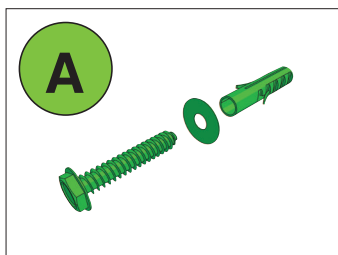
20



21

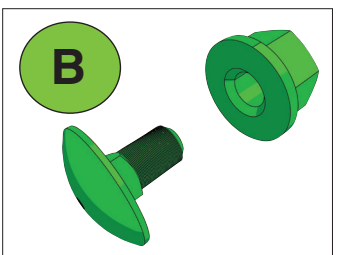


22



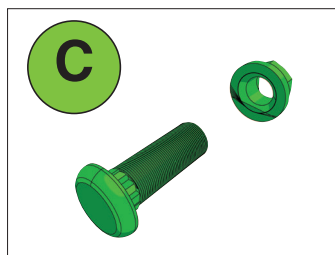
A

8 × 70 mm



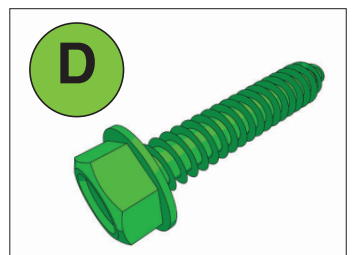
B

M 8 × 16 mm



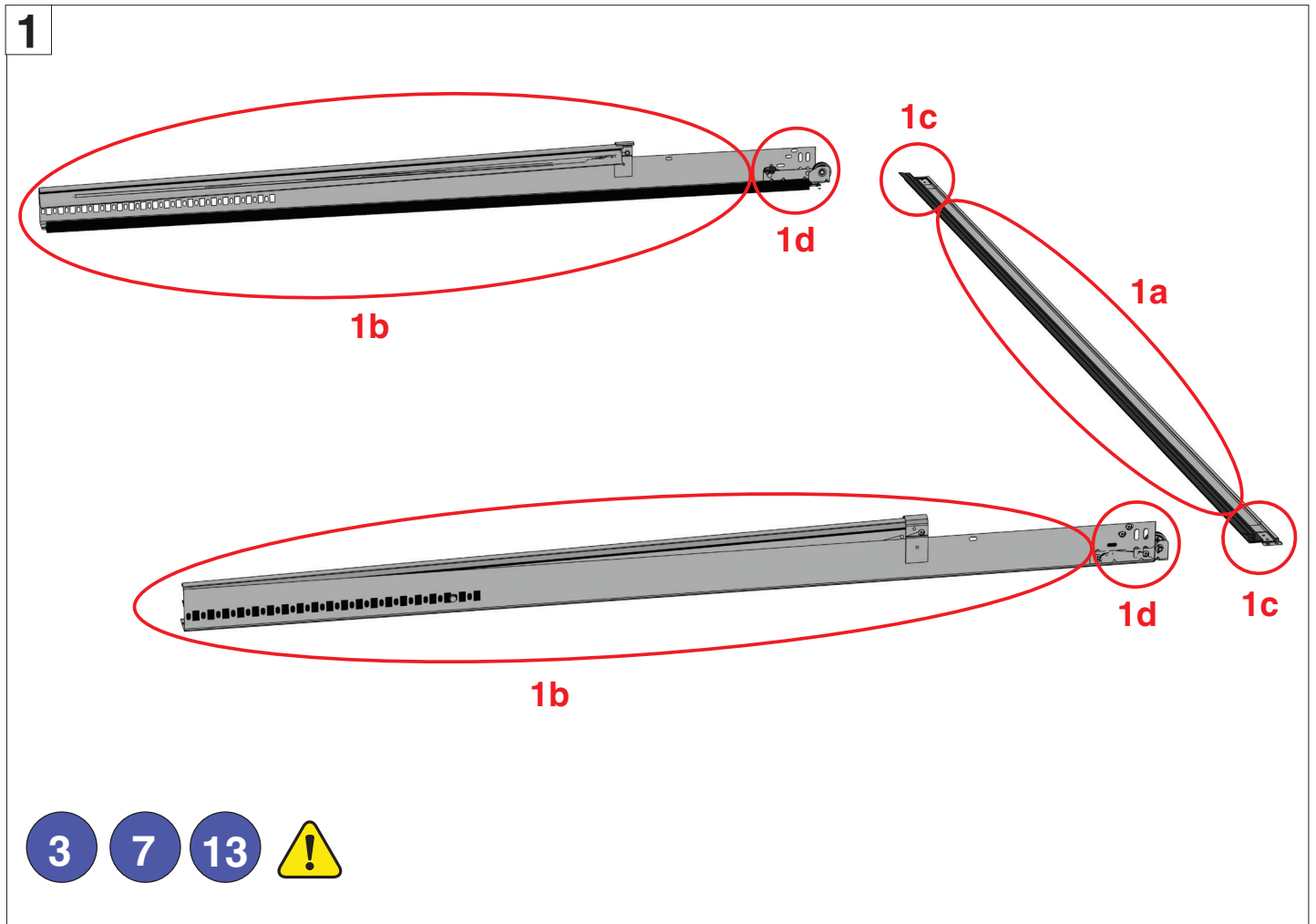
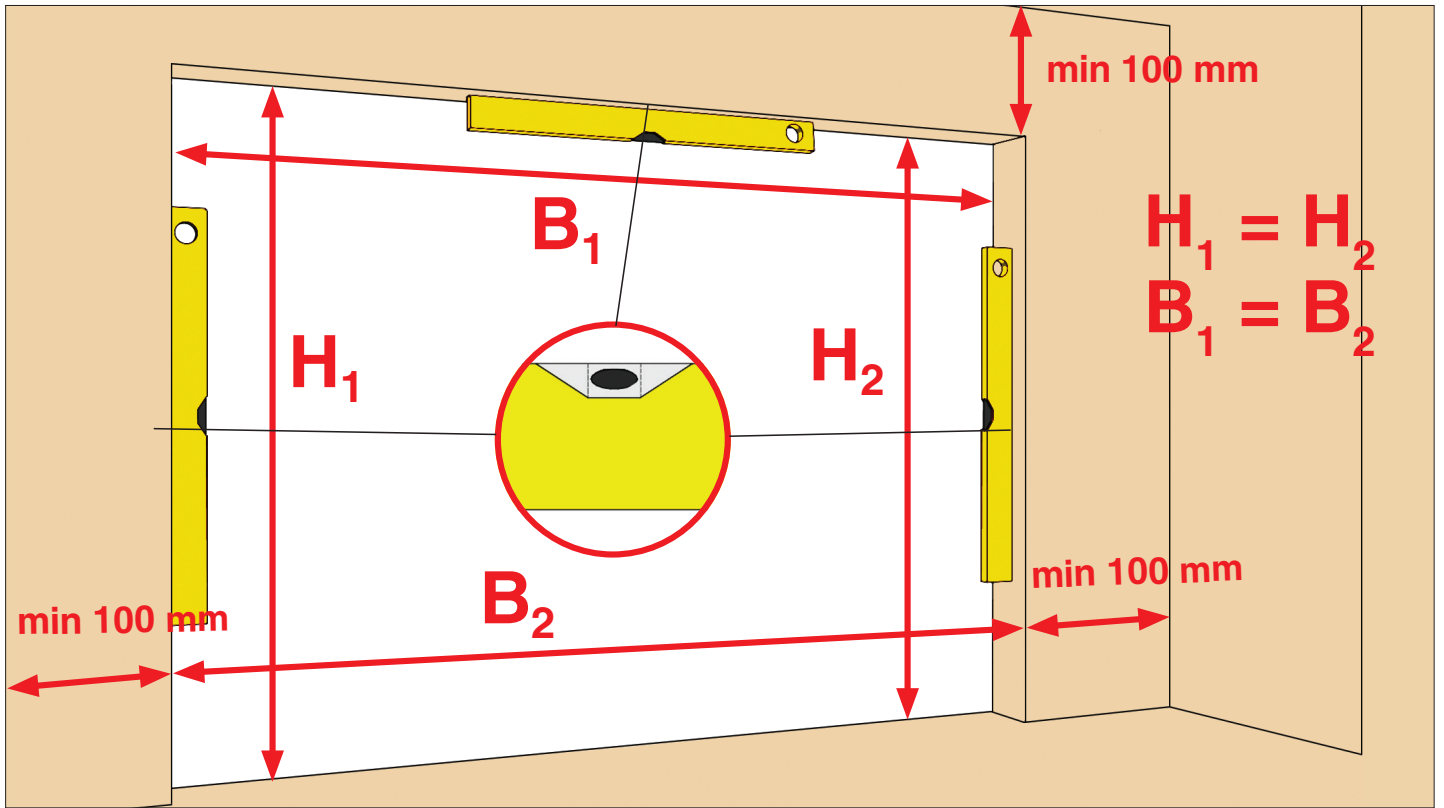
C

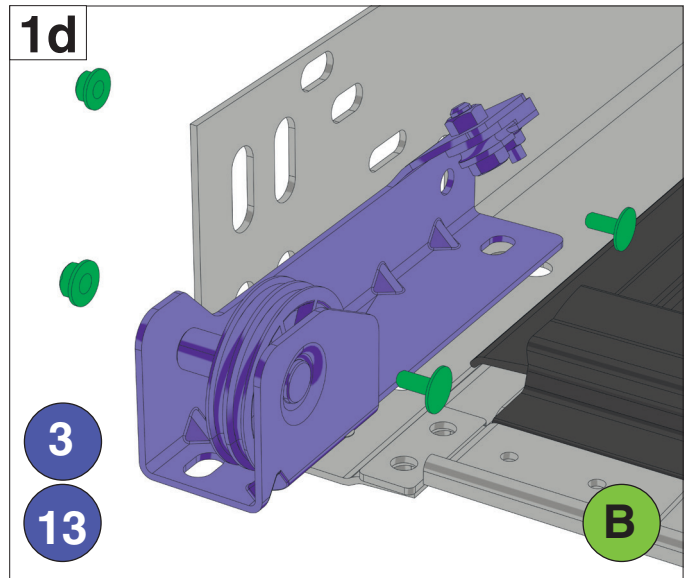
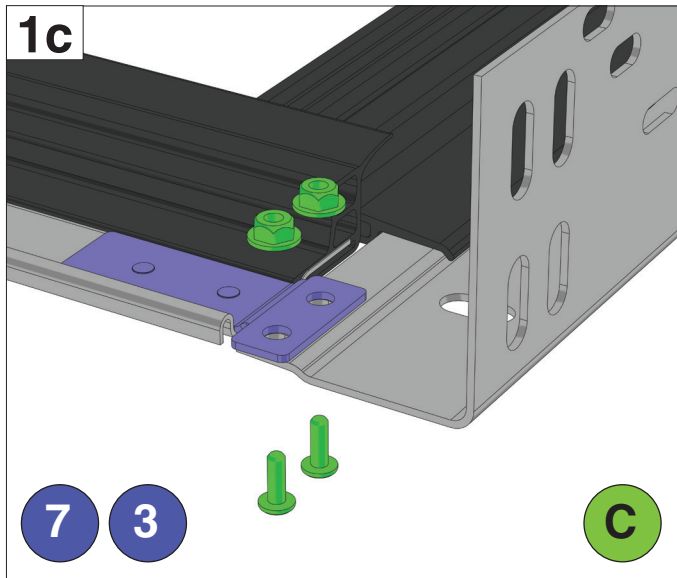
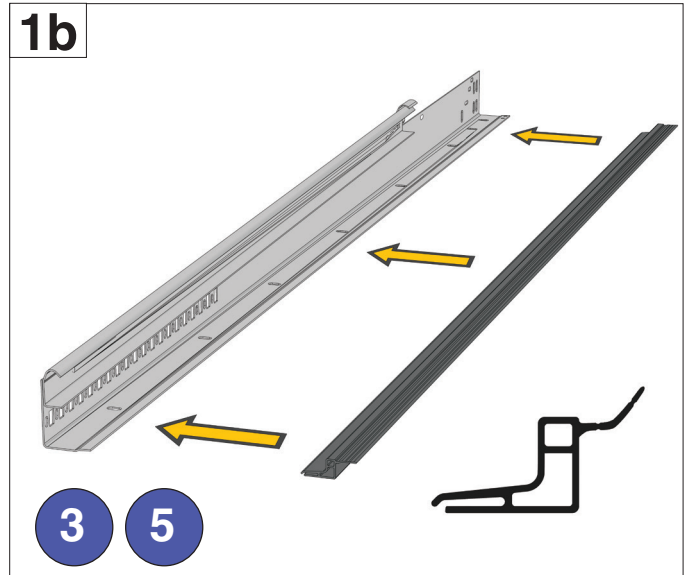
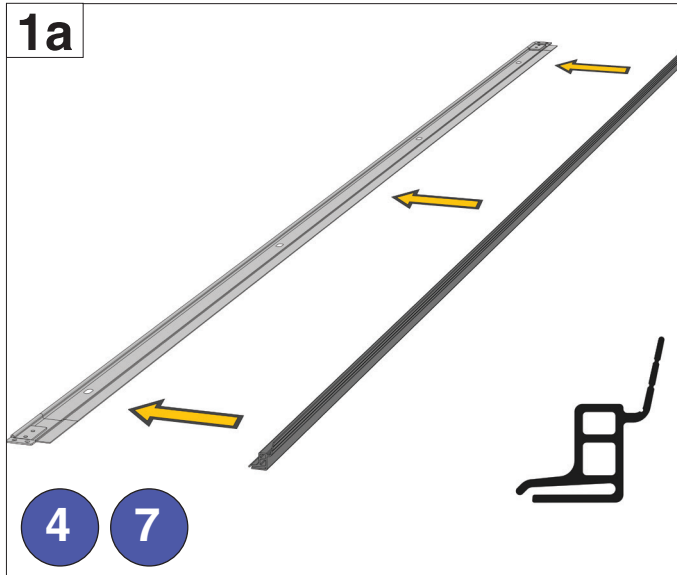
1/4 × 3/4"

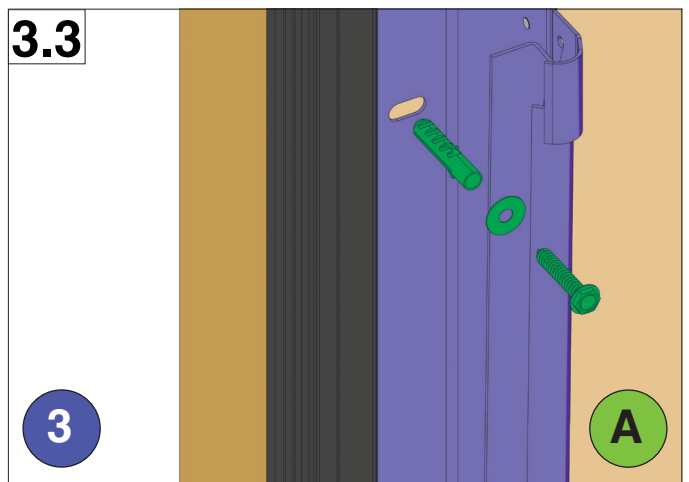
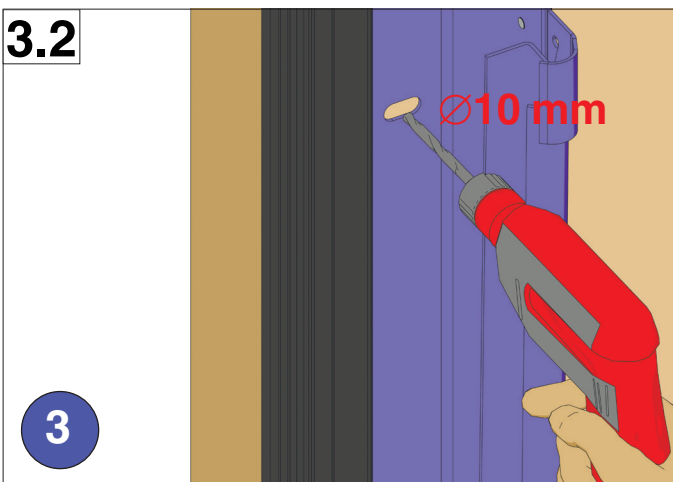
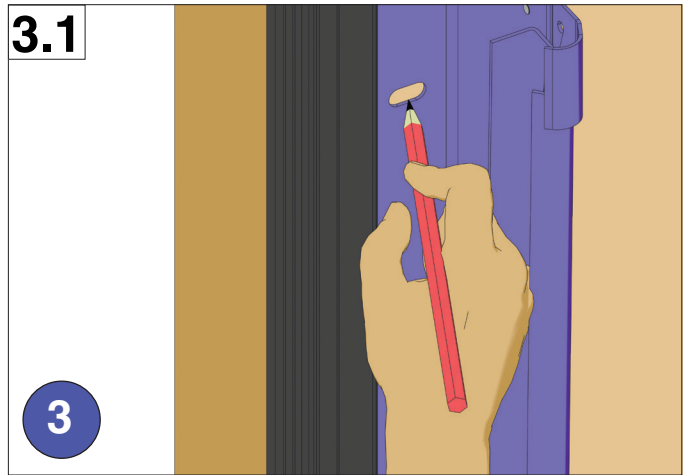
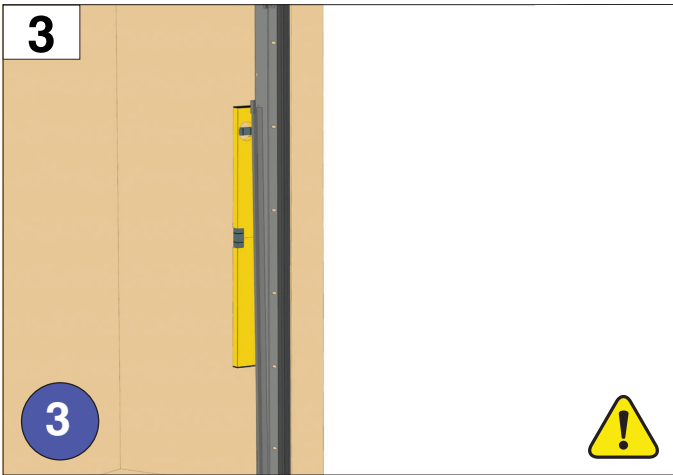
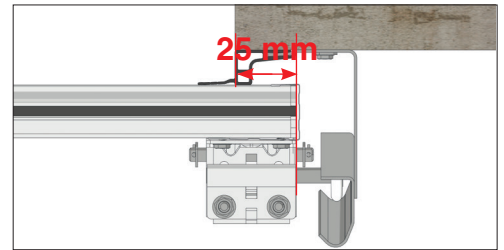
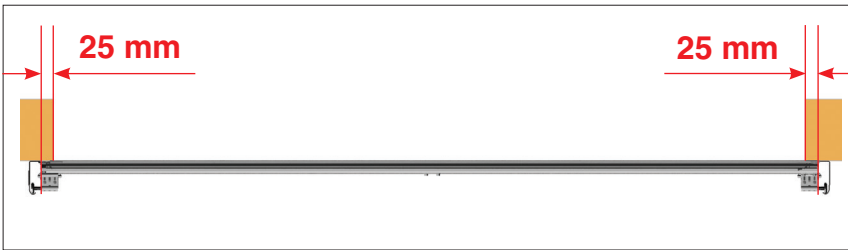
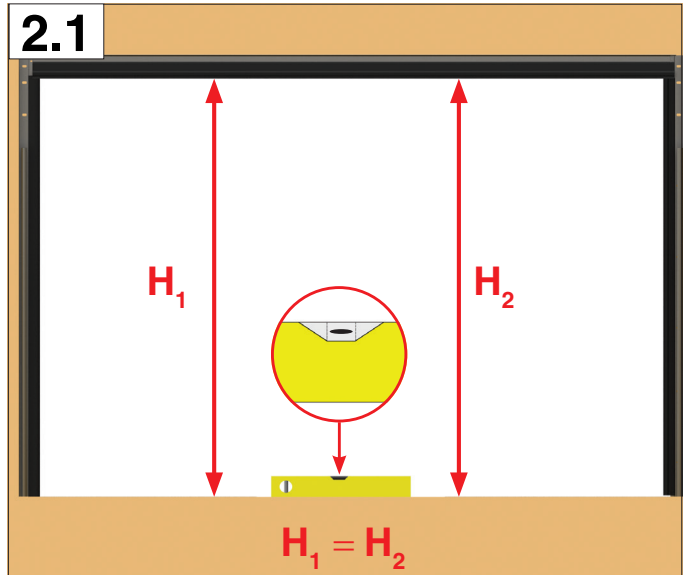
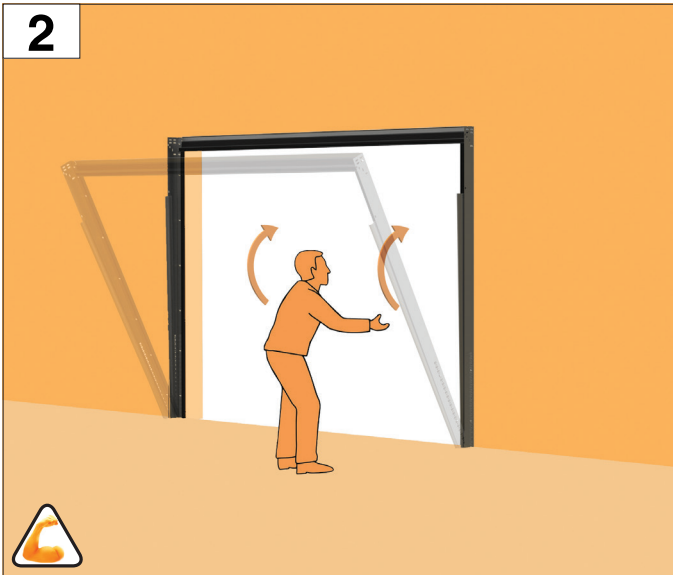


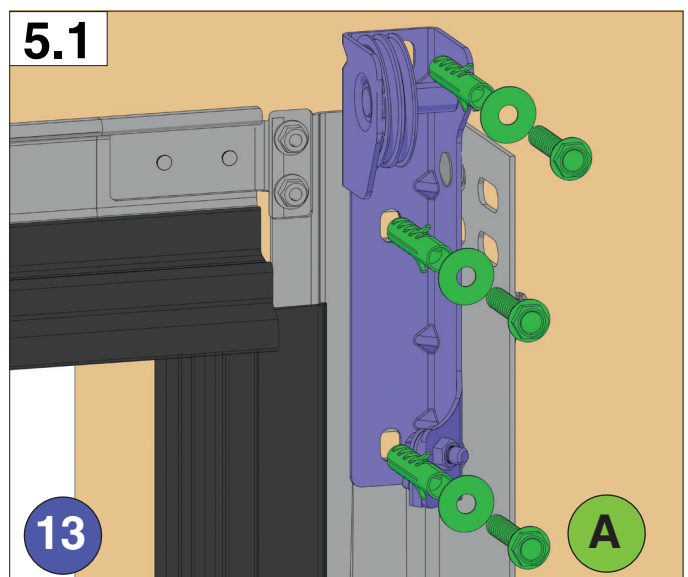
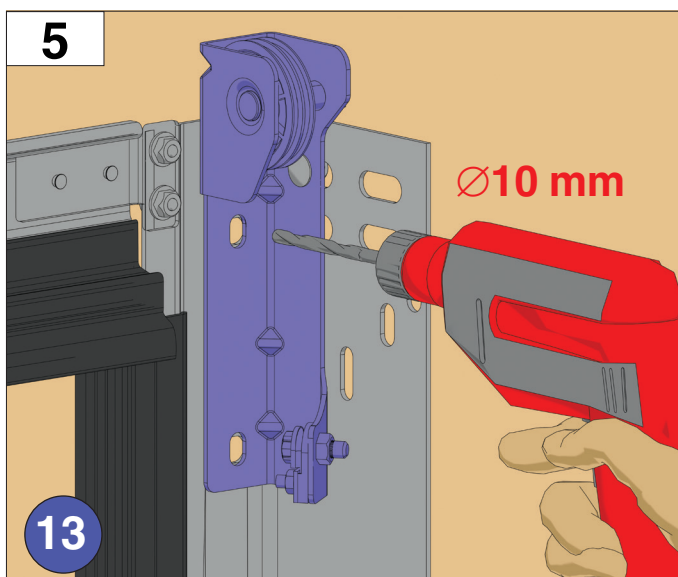
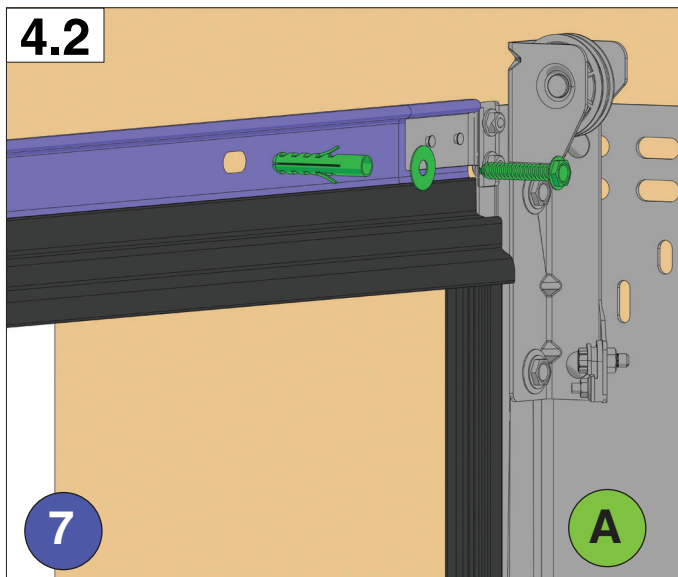
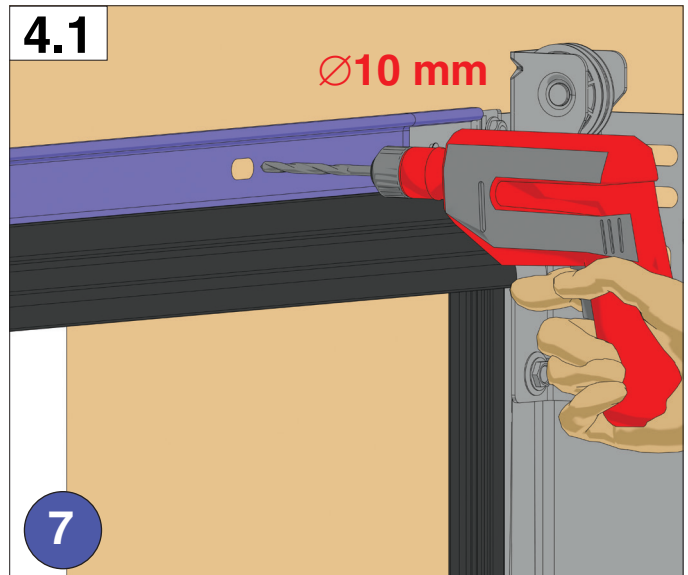
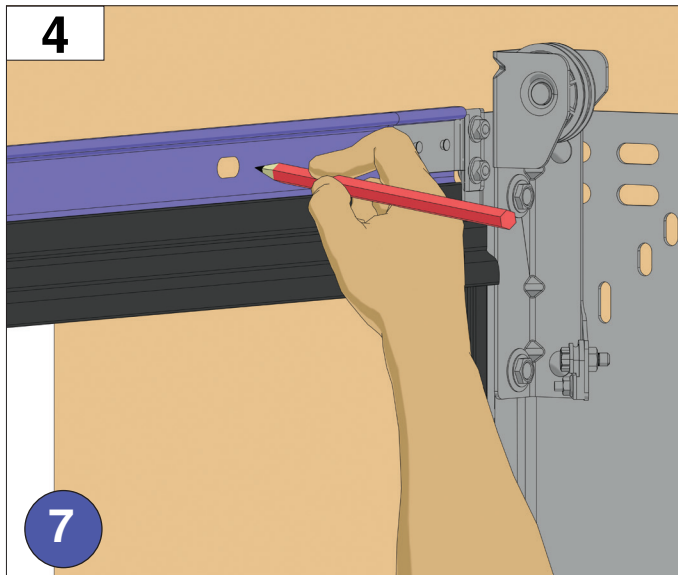
D

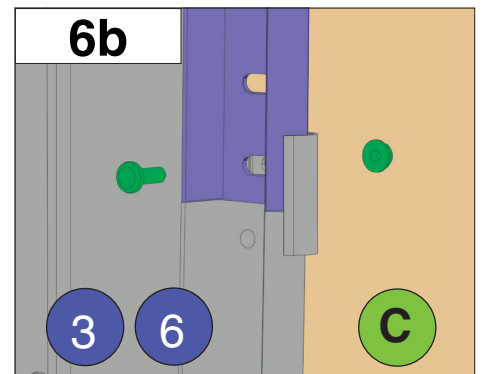
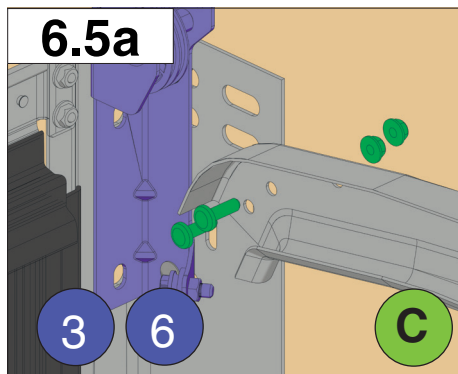
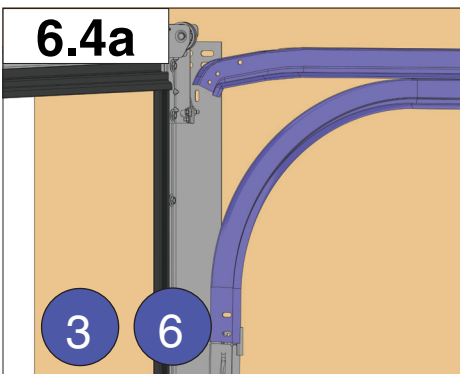
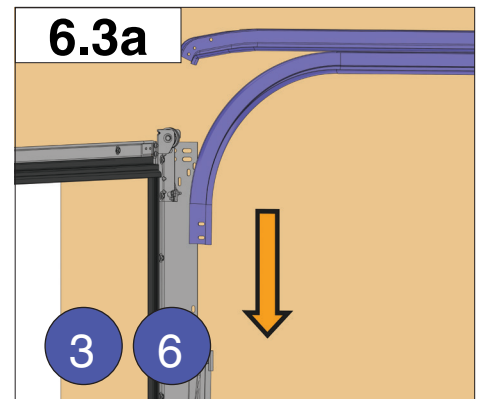
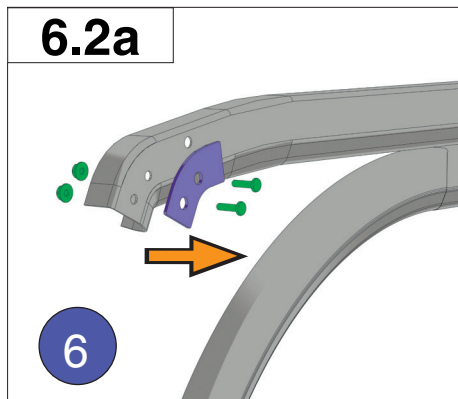
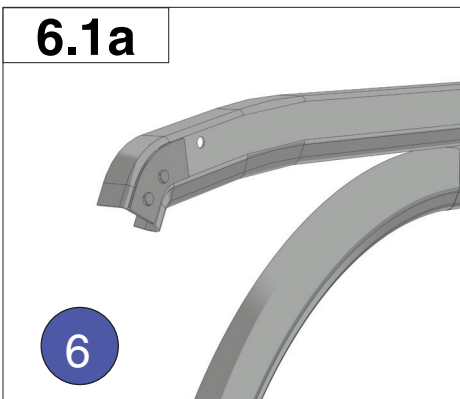
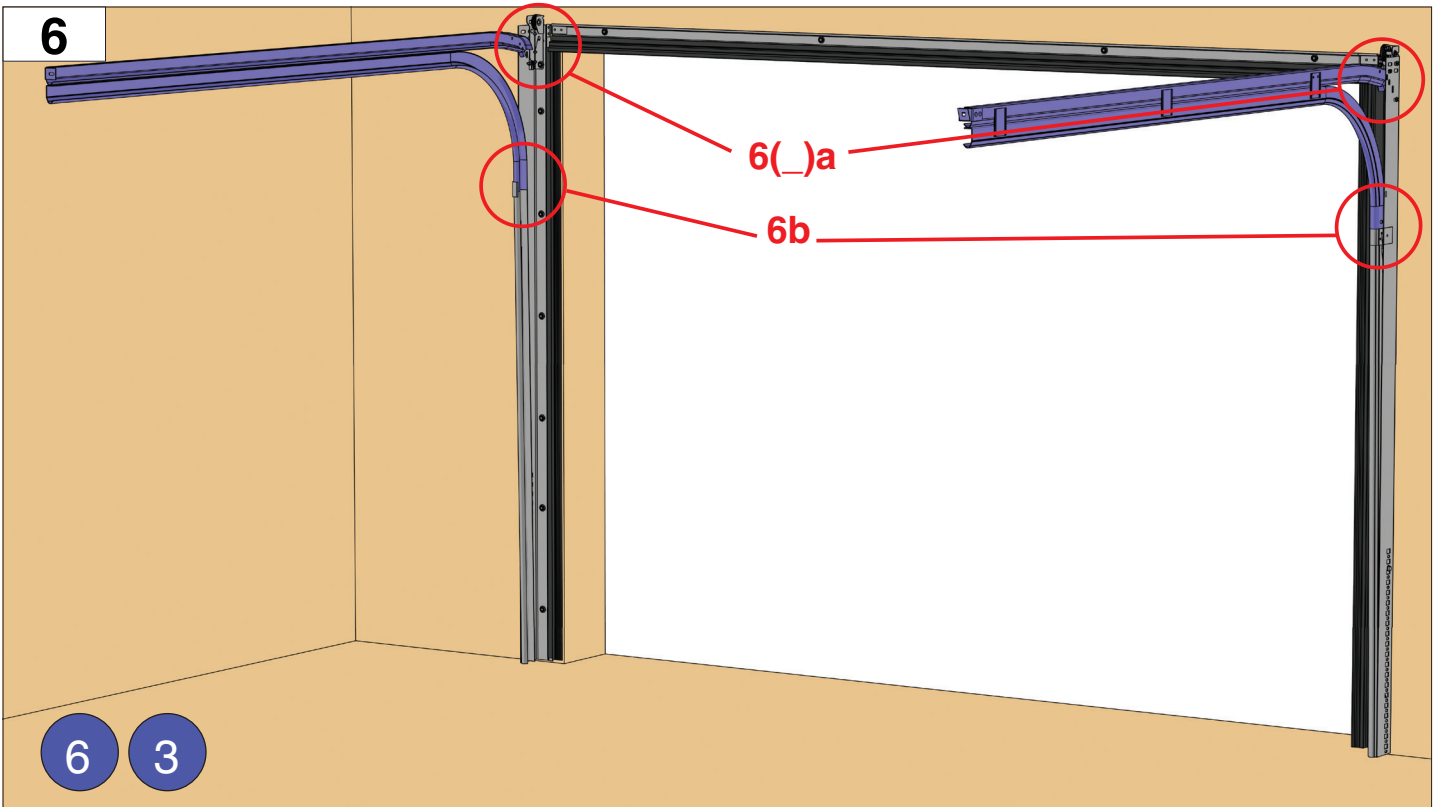
6,3 × 32 mm

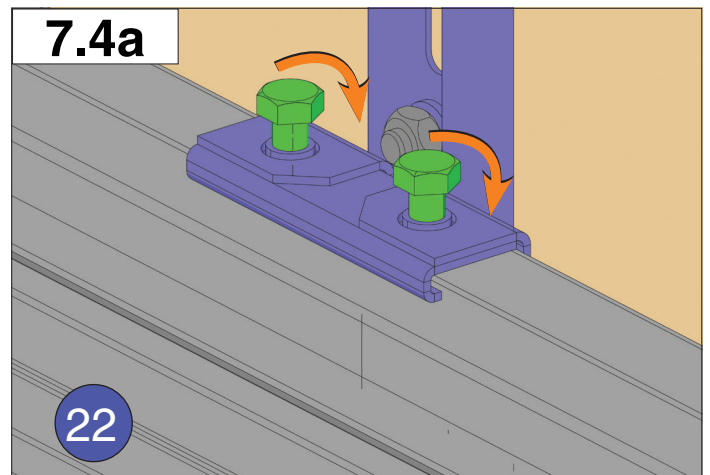
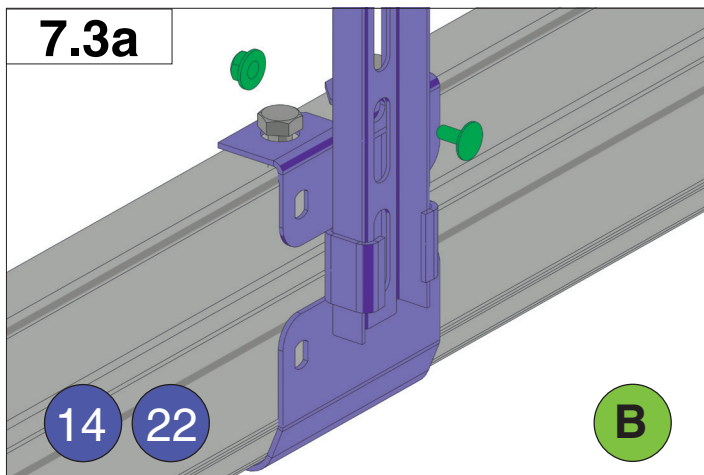
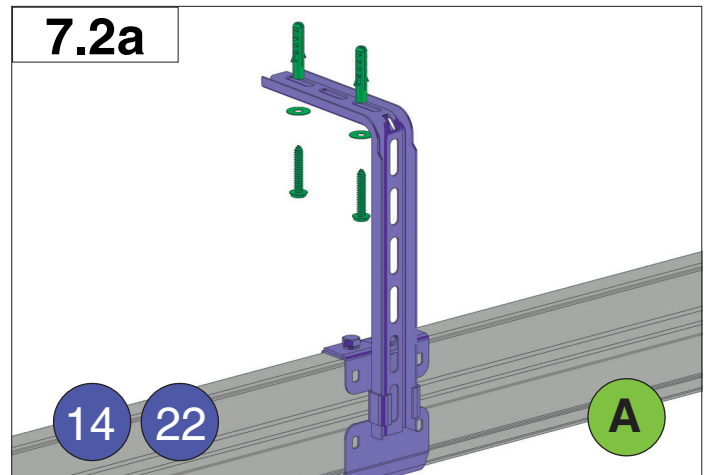
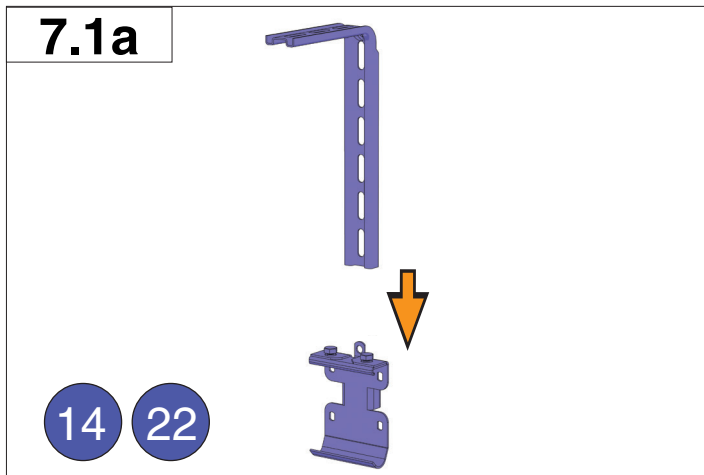
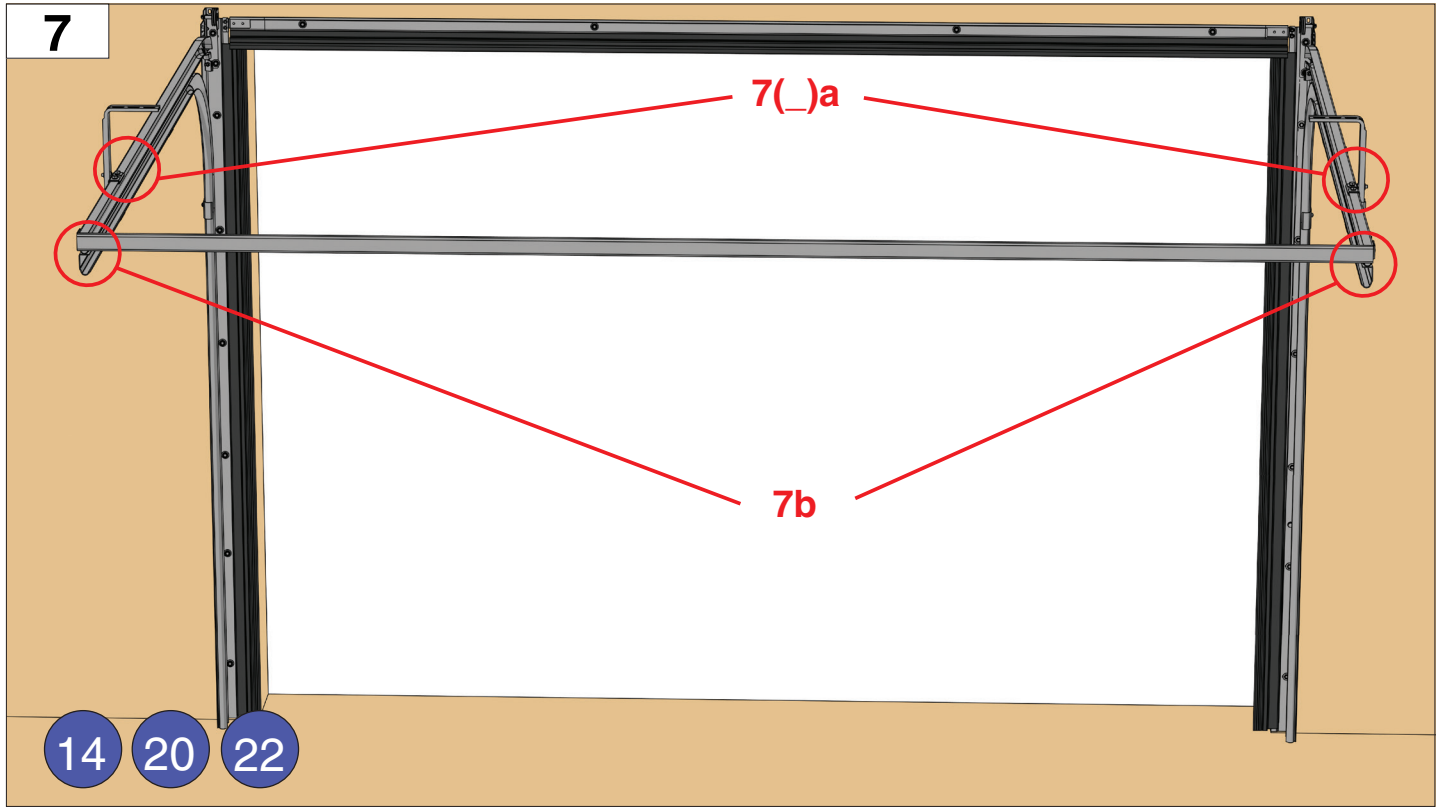


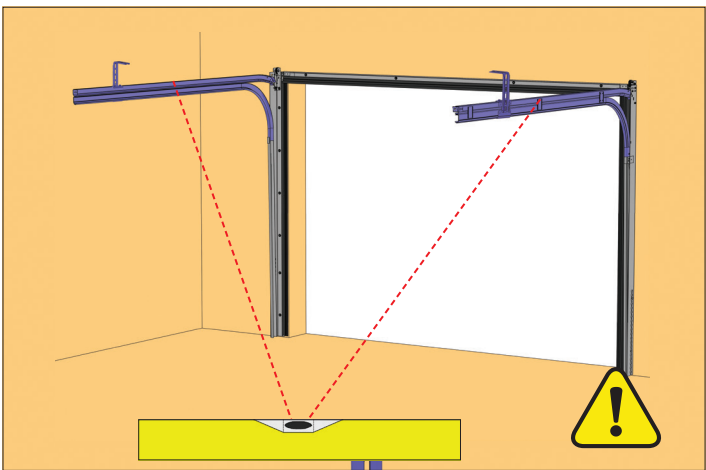
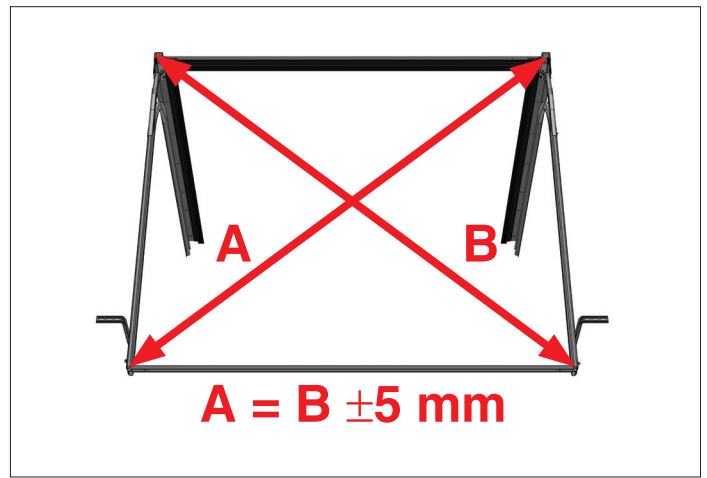
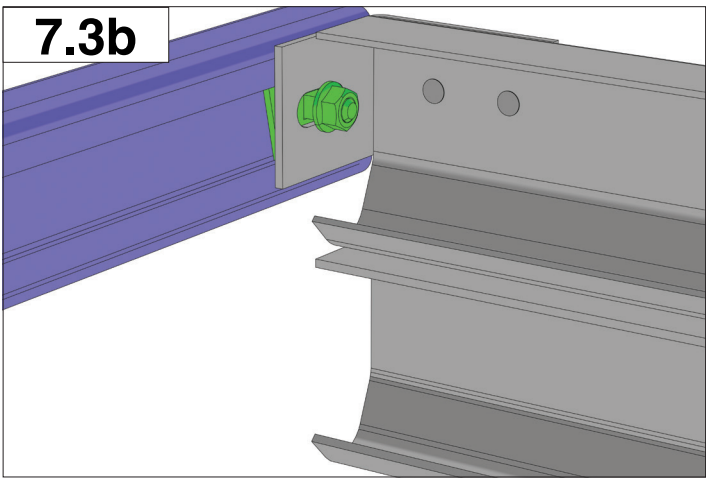
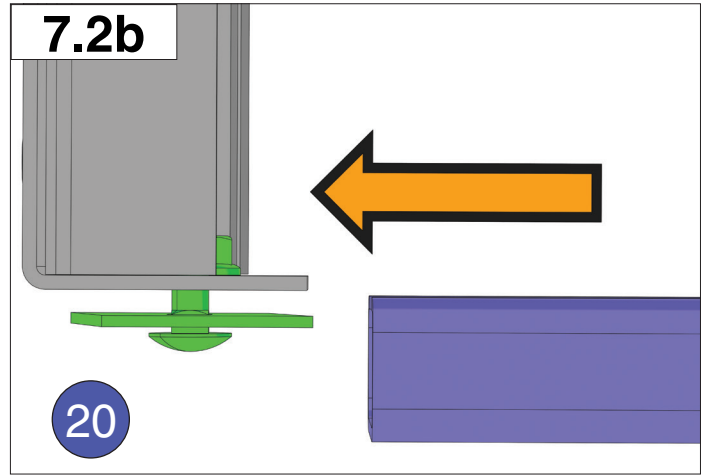
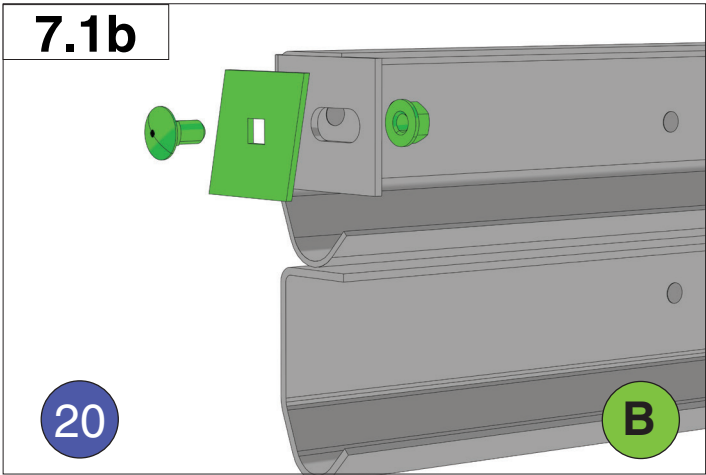




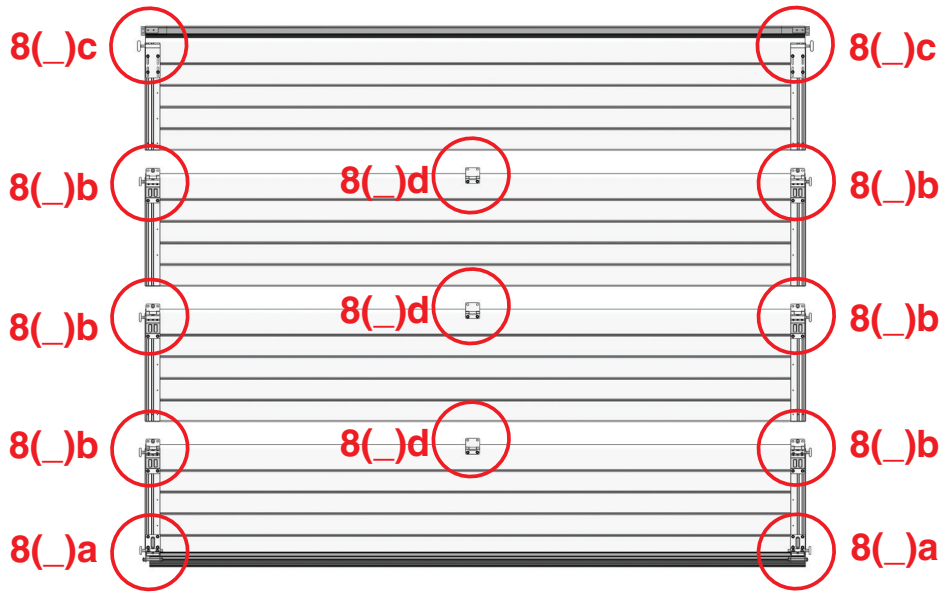








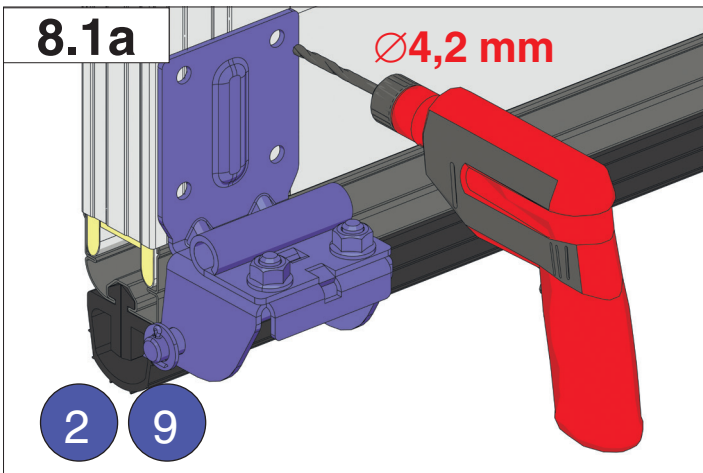
8



8.1a

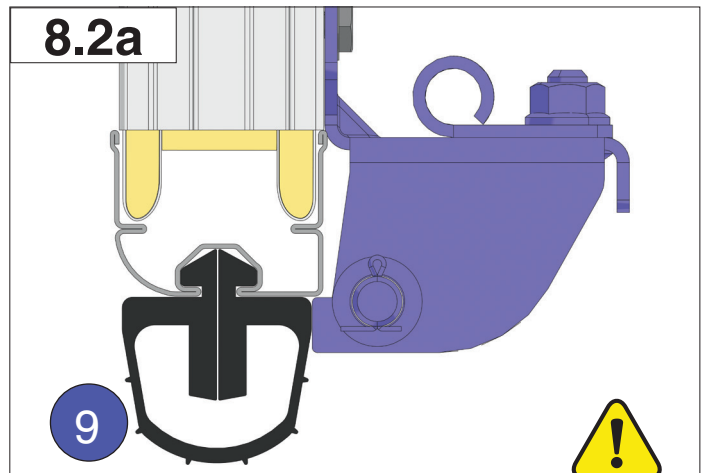
Ø4,2 mm

2 9



8.2a

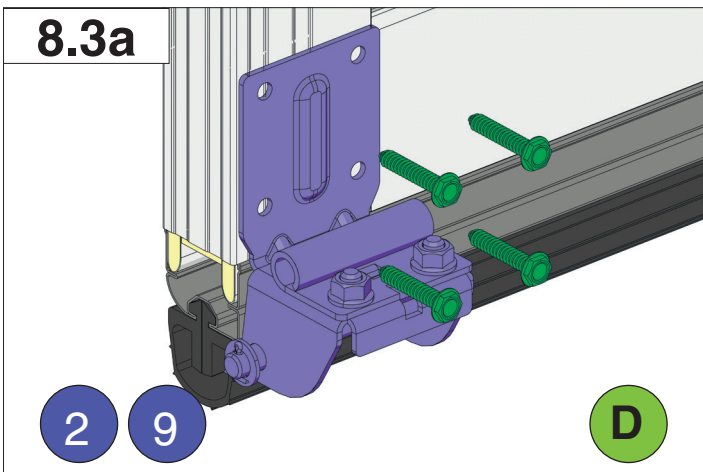
9



8.3a

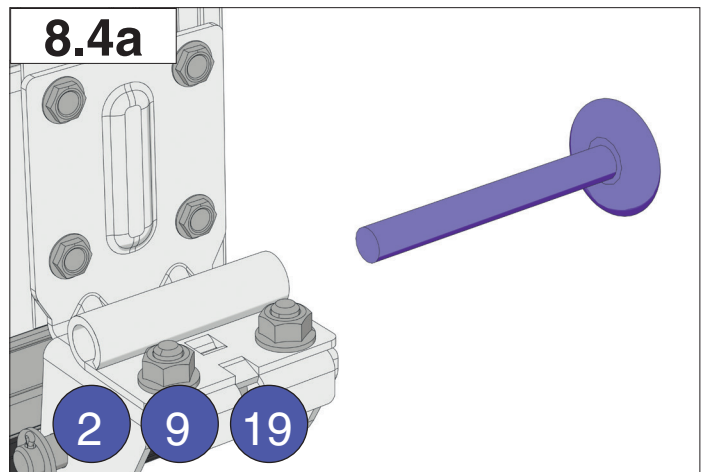
2 9

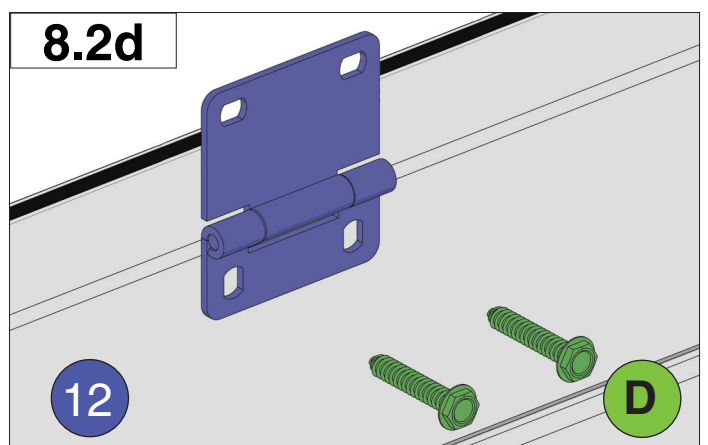
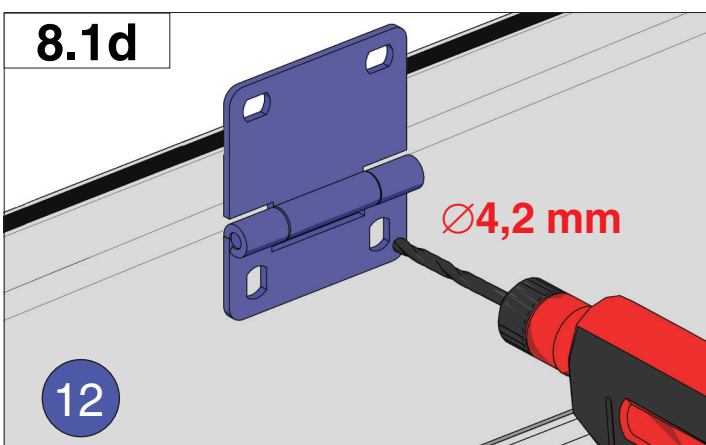
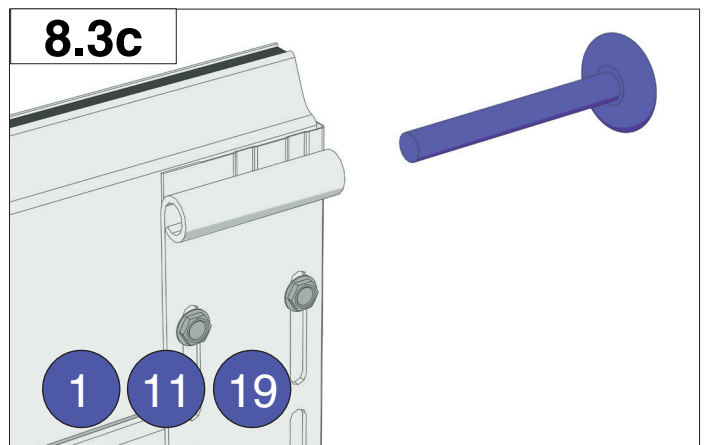
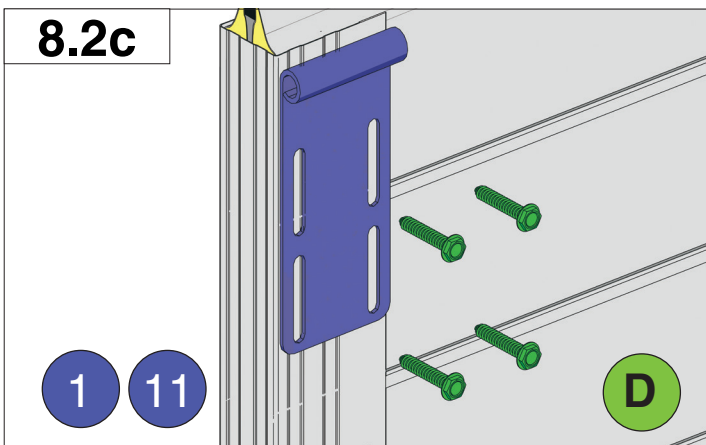
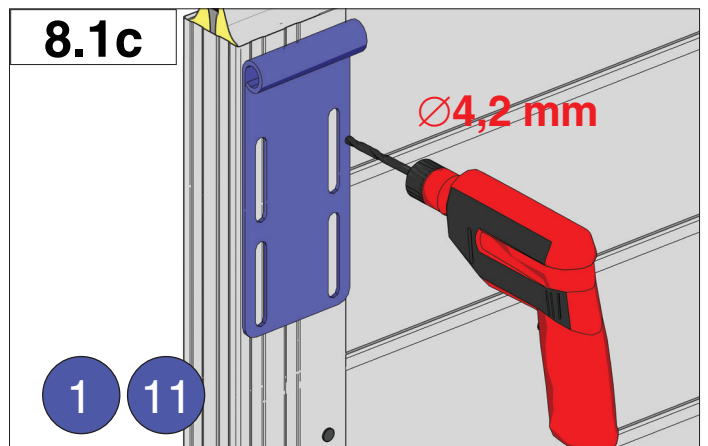
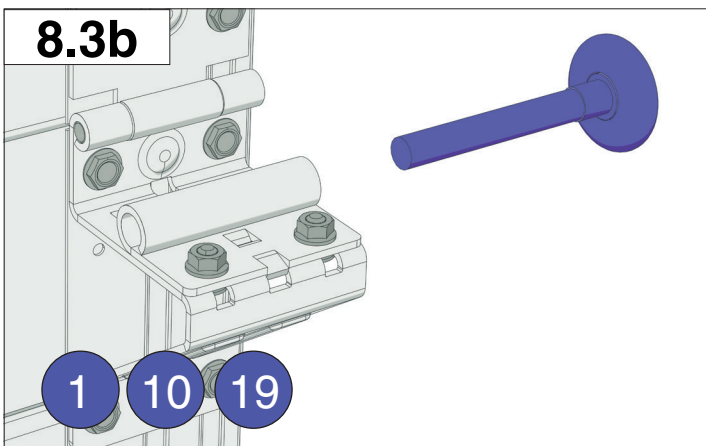
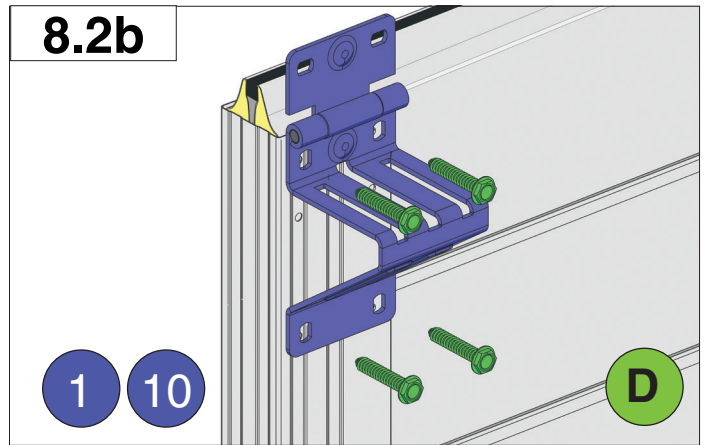
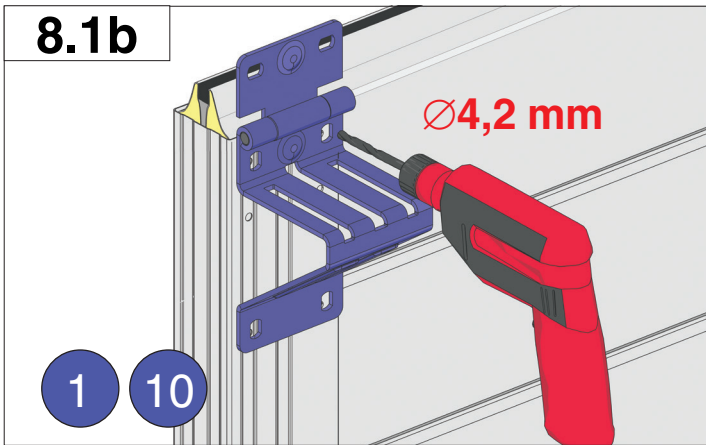
D

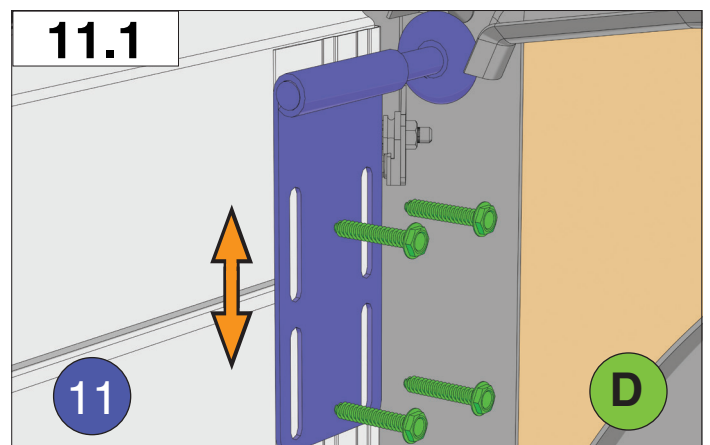
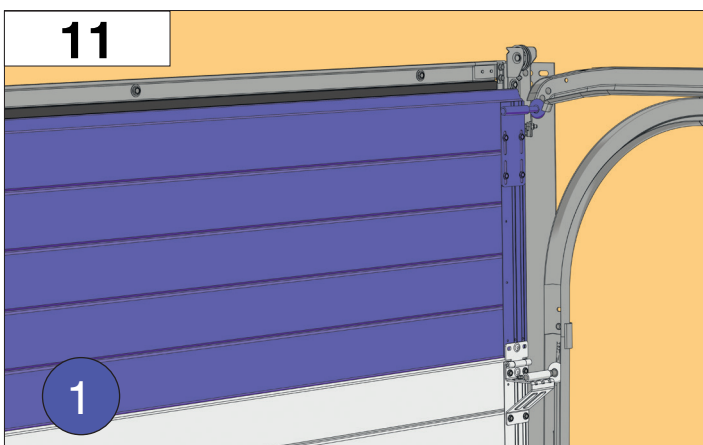
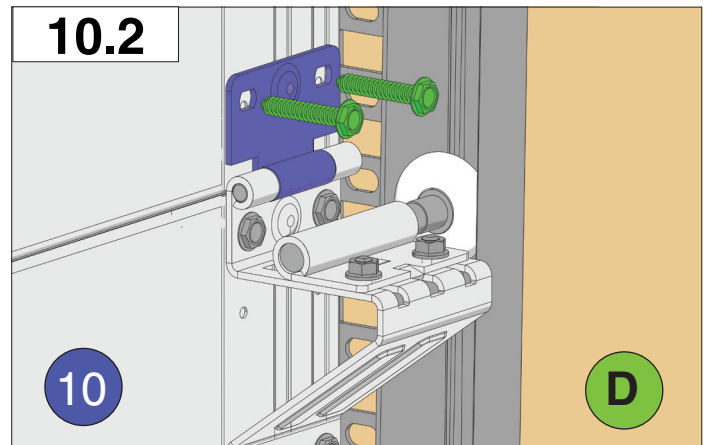
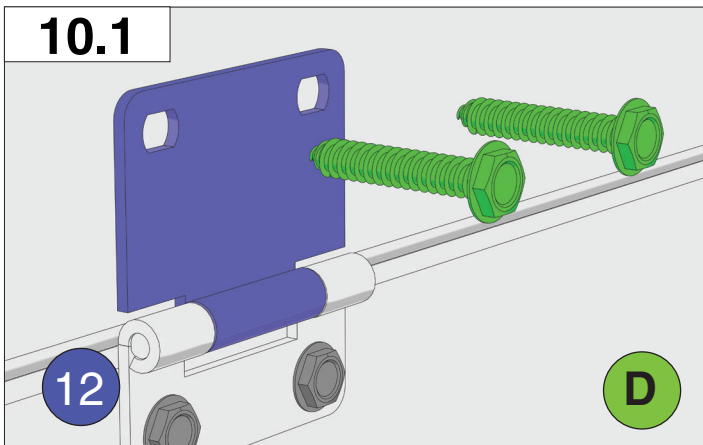
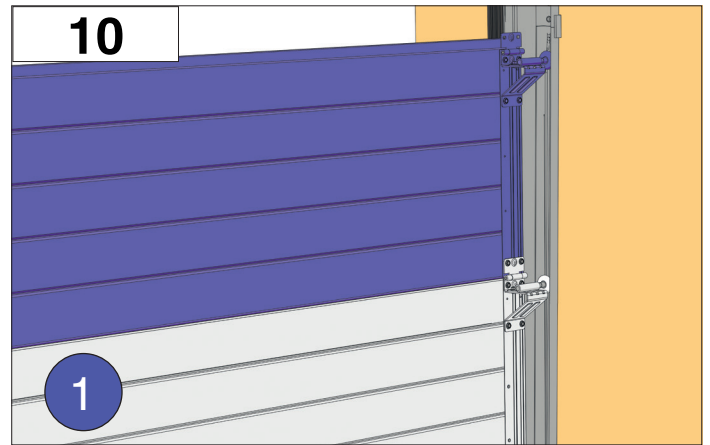
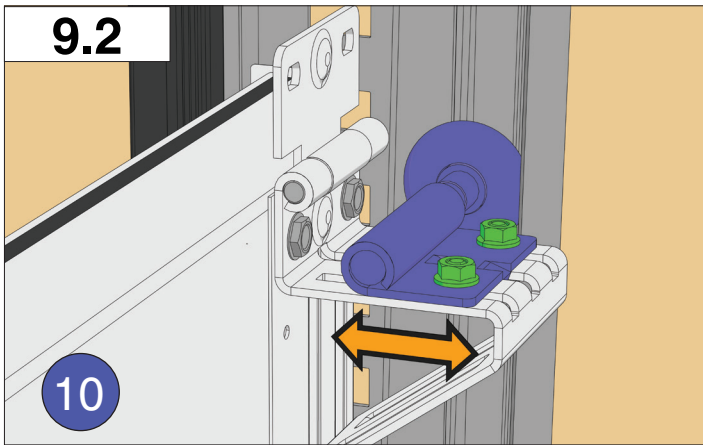
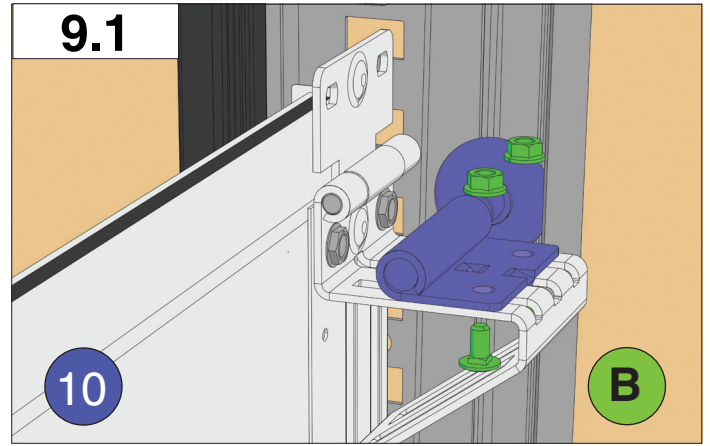
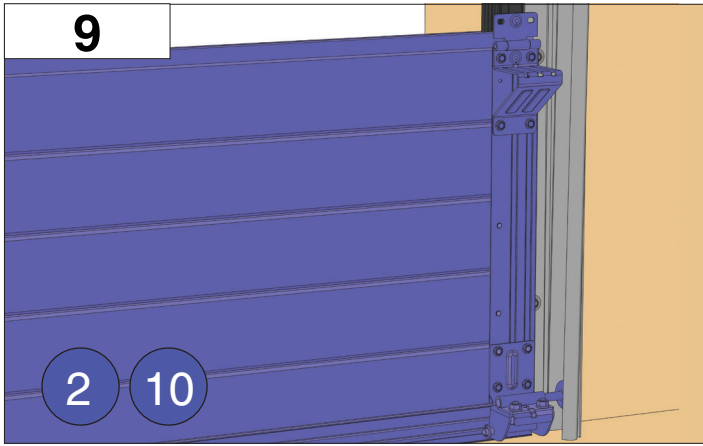


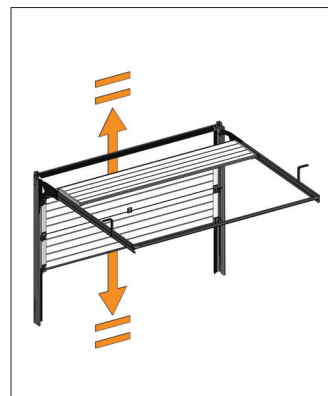
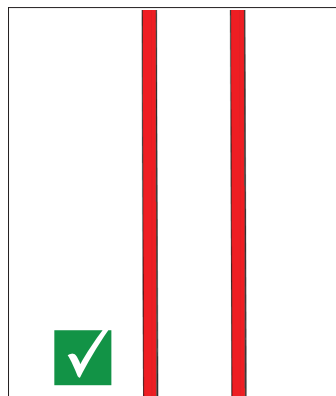
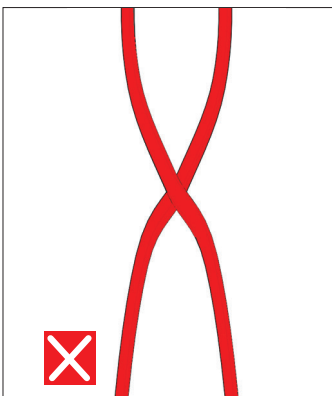
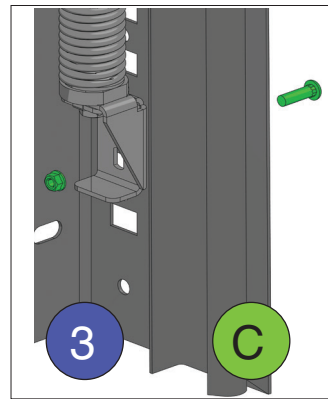
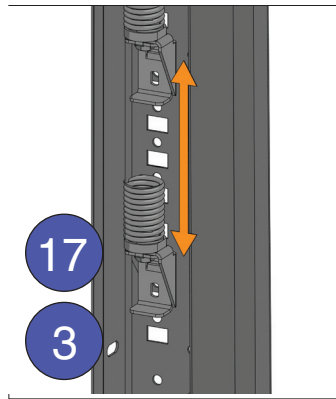
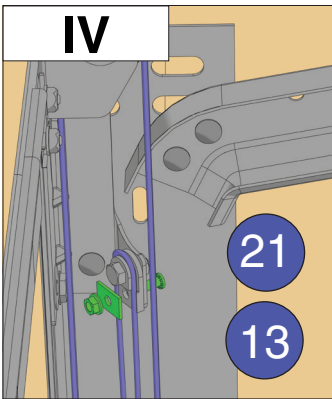
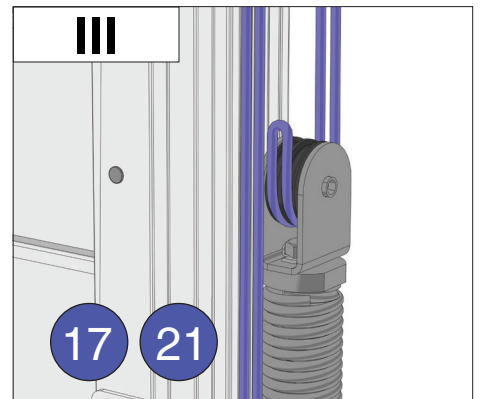
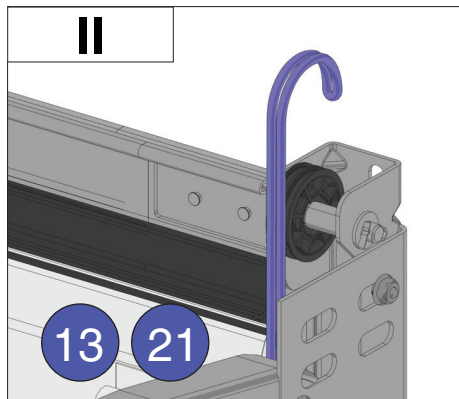
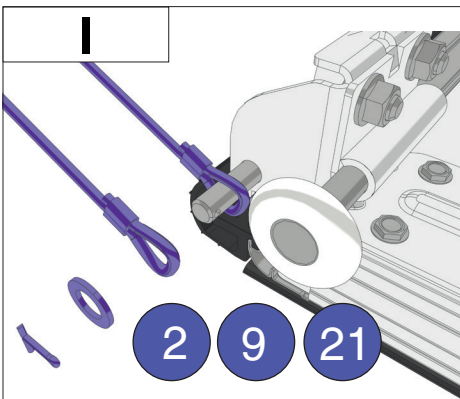
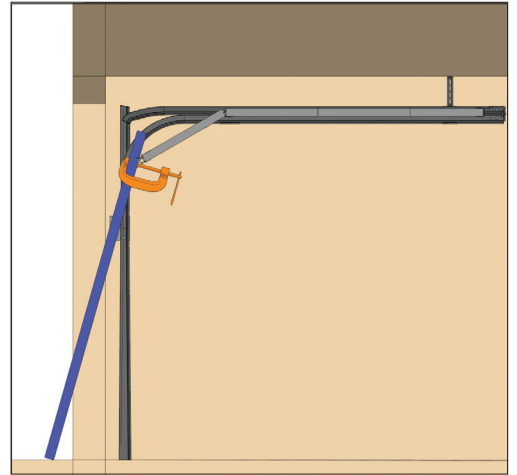
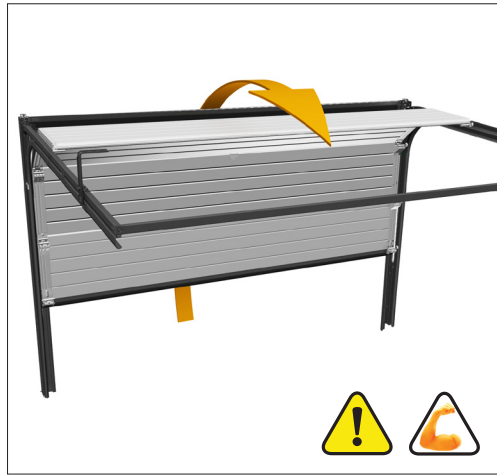
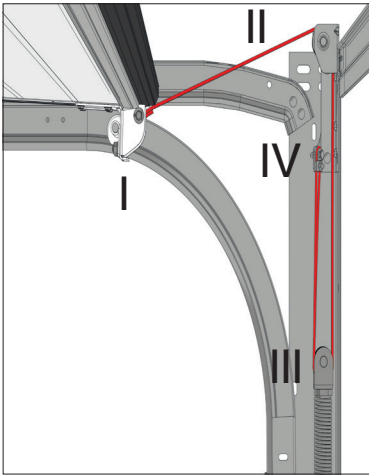
8.4a

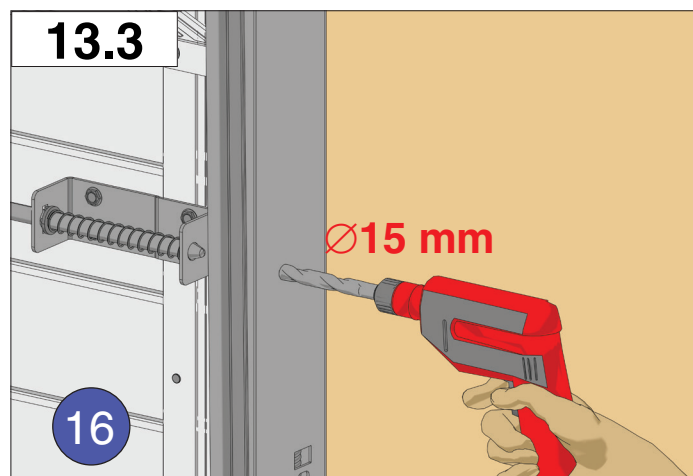
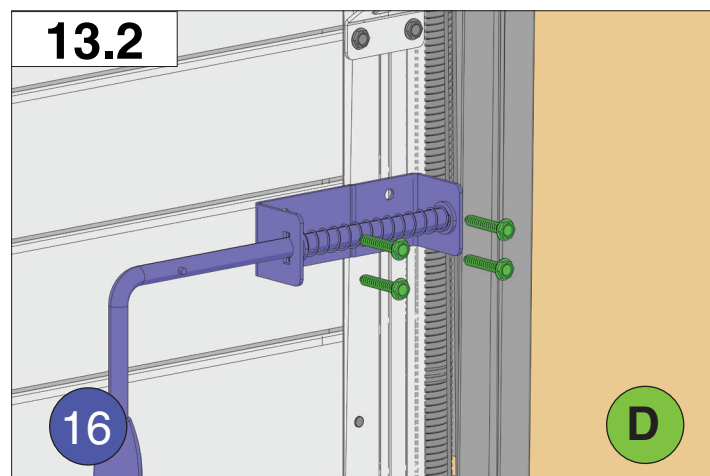
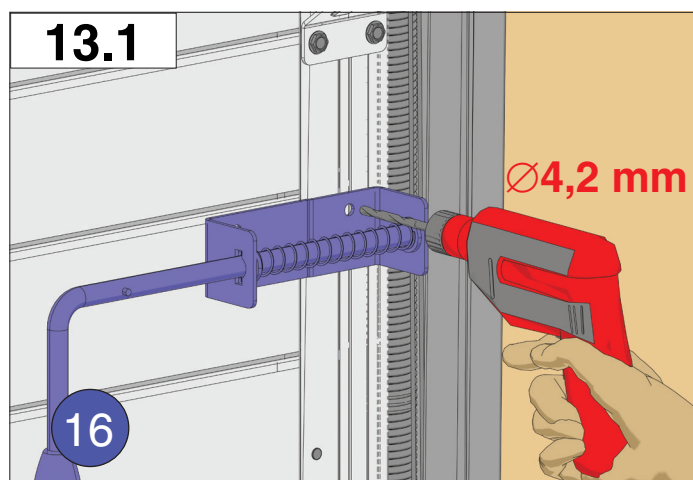
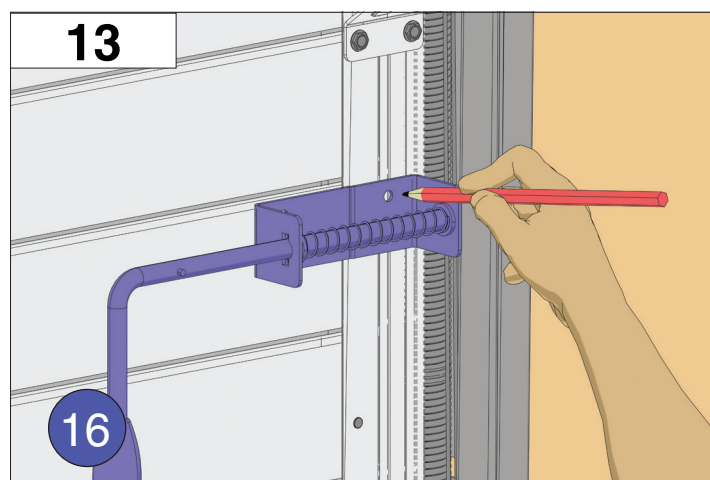
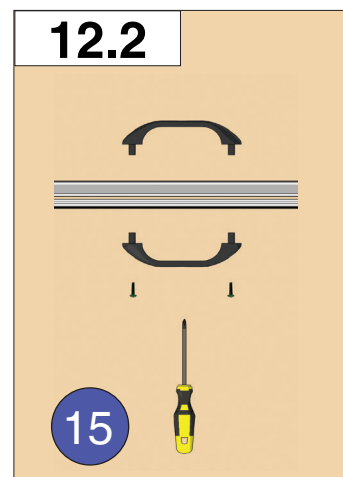
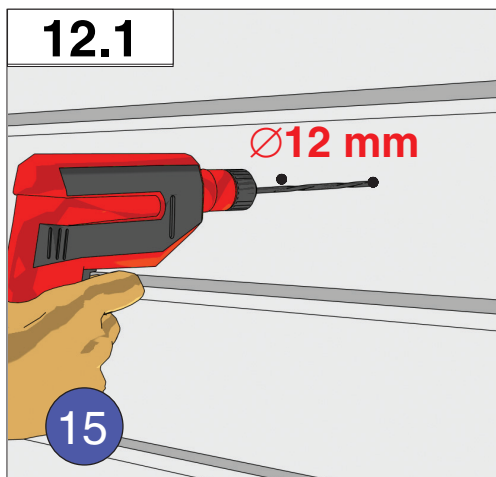
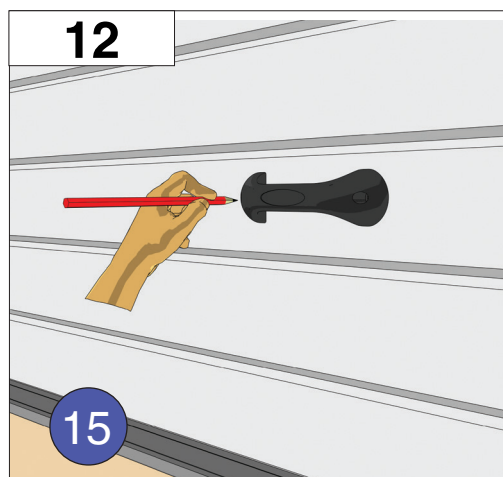
2 9 19

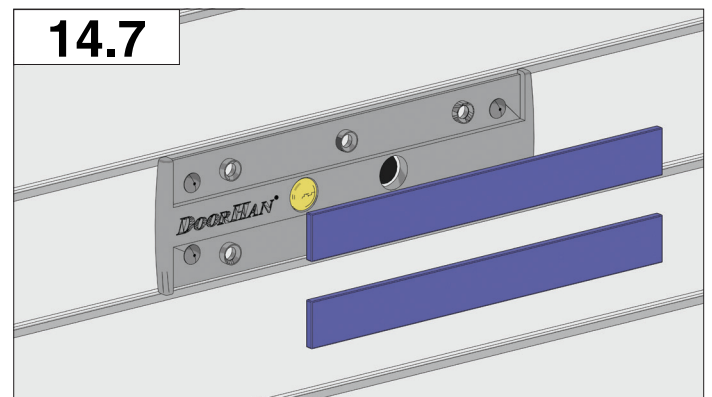
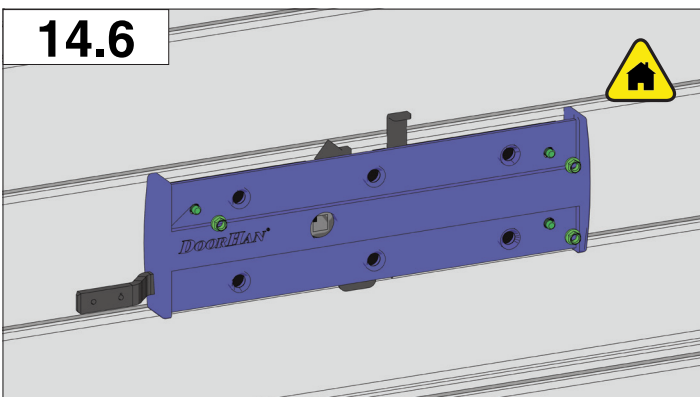
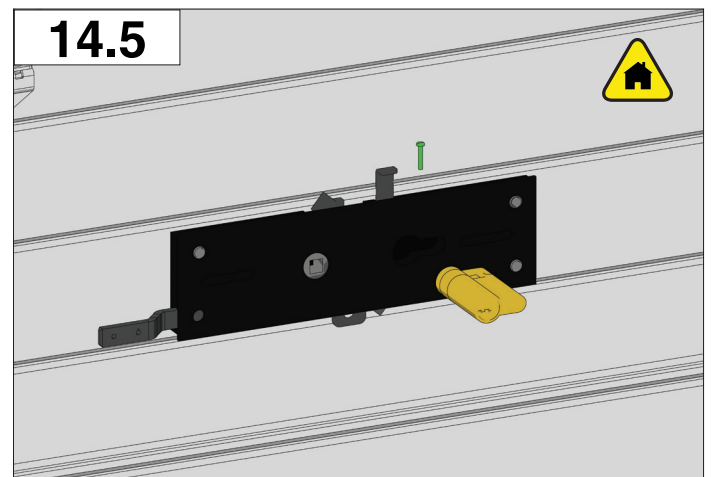
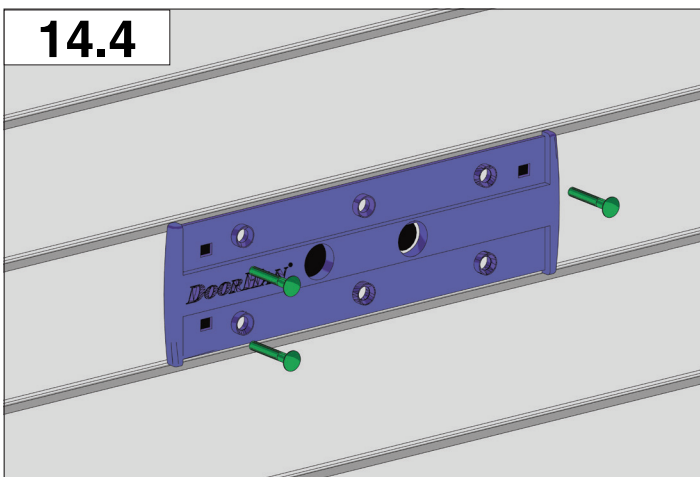
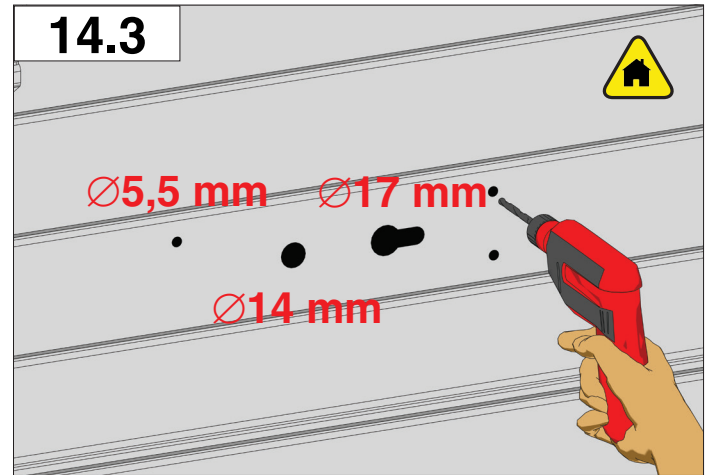
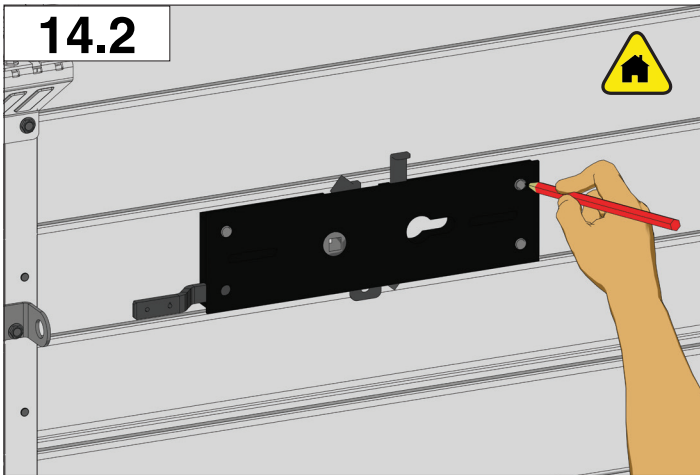
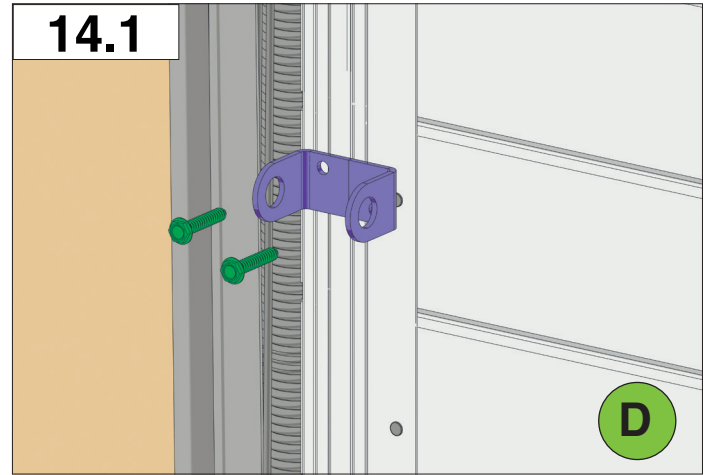
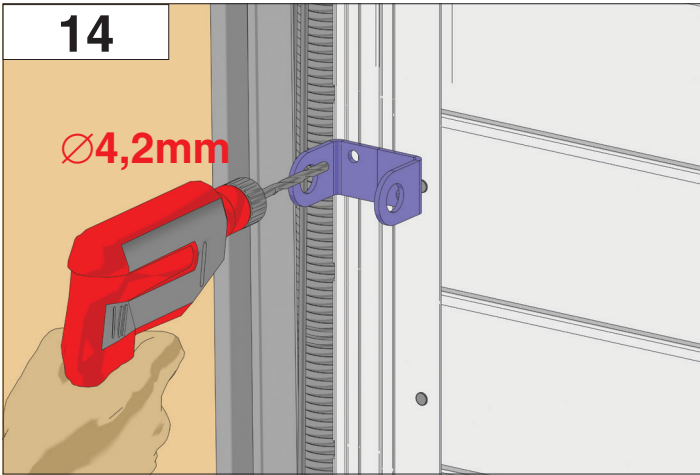


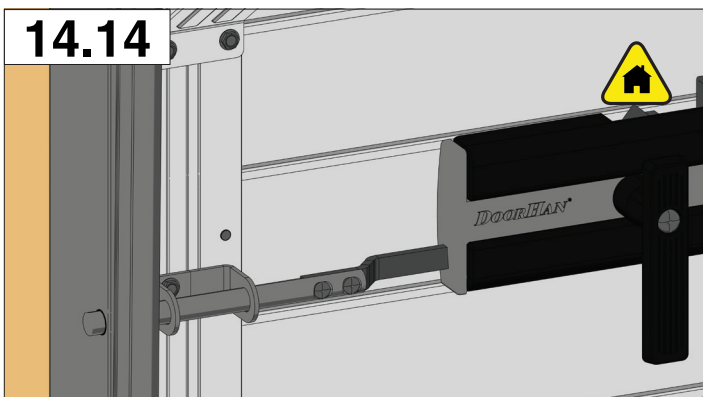
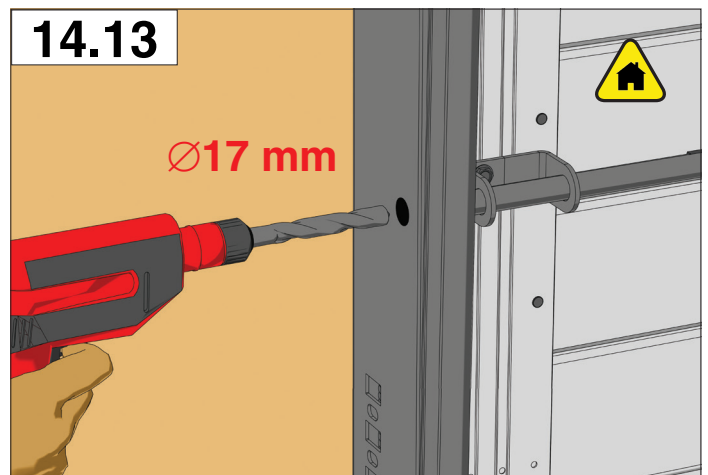
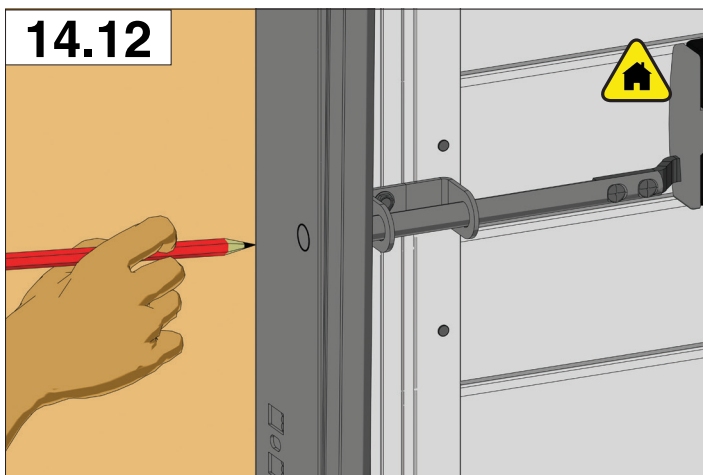
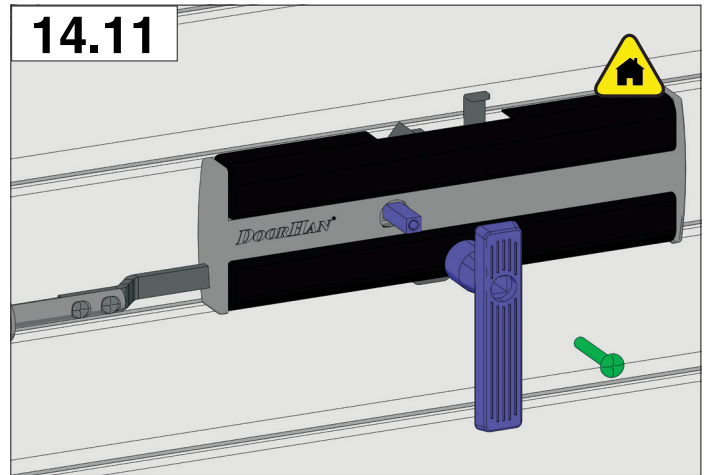
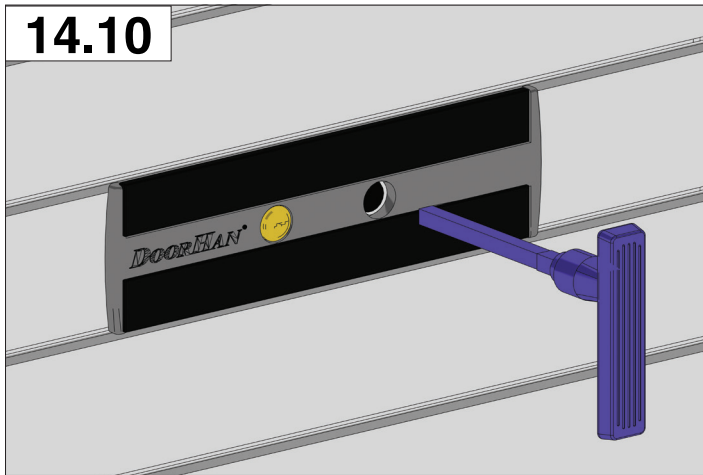
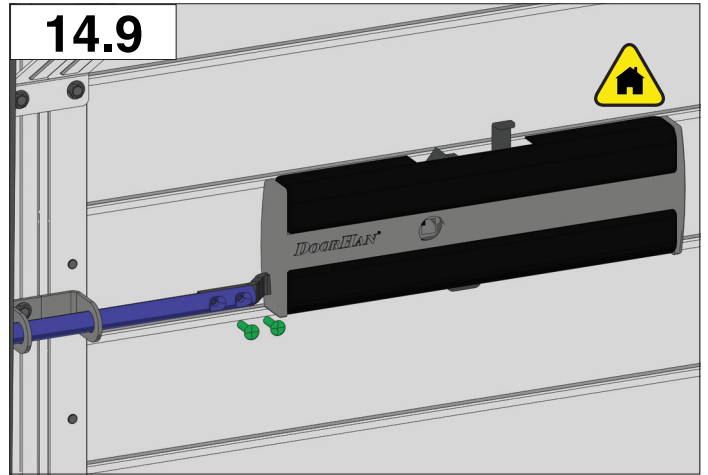
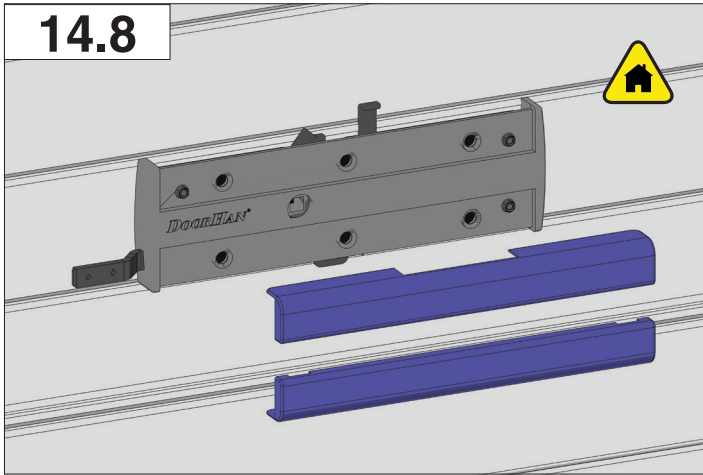












DOORHAN[®]

WWW.DOORHAN.COM