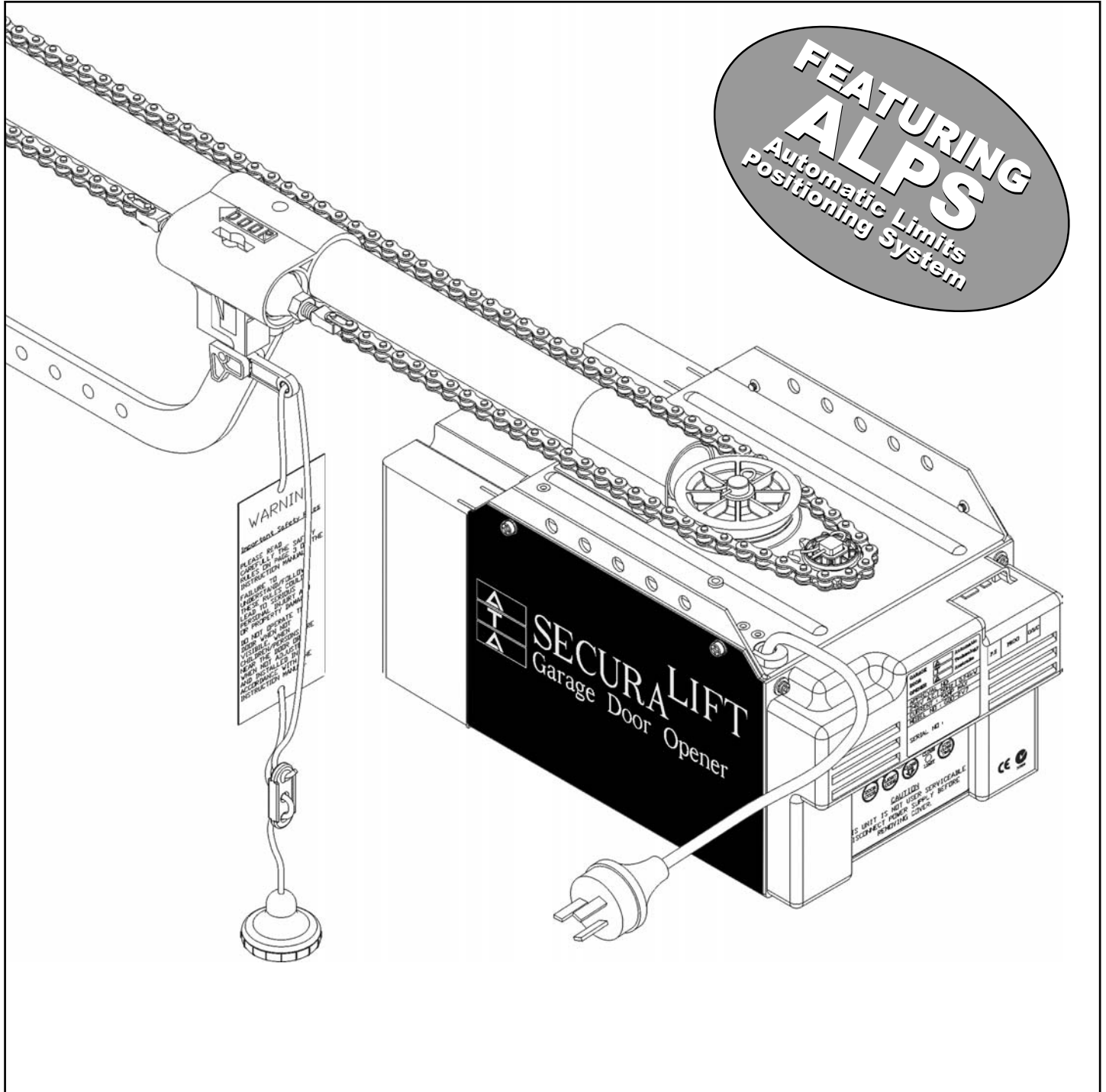


AUTOMATIC TECHNOLOGY AUSTRALIA PTY LTD

GDO-2 v7 SecuraLift® GARAGE DOOR OPENER



OWNERS COPY

Installation Instructions

Warning: It is vital for the safety of persons to follow all instructions. Failure to comply with the installation instructions and the safety warnings may result in serious personal injury and/or property and remote control opener damage. Please save these instructions for future reference.

TABLE OF CONTENTS

Safety Warnings.....	3
Product Features.....	4
Operating Controls.....	5
Package Contents.....	7
Tube/Pipe Assembly.....	8
Determining Door Type.....	9
Mounting The Opener - Track Type Door.....	10
Mounting The Opener - Spring Type Door.....	11
Mounting Brackets And Assembling Arms.....	12
Setting Limits Via Control Panel.....	13
Setting Limits Via Transmitter.....	14
Setting Obstruction Force Margin (ISS).....	15
Coding Transmitters	16
Connecting Photo Electric Beam.....	18
Setting Auto-Close Time.....	18
Setting Courtesy Light Time.....	19
Setting Pet Mode Door Opening Position.....	19
Re-Initialising Door Opener.....	19
Door Status Indicators.....	20
Buttons and Functions.....	20
Factory Default Settings.....	21
Technical Specifications.....	21
Trouble Shooting Guide.....	22
Parts List.....	23
Warranty.....	24





















Purchased From _____ Phone _____

Installed By _____ Date _____

Serial No. _____

IMPORTANT SAFETY INSTRUCTIONS

Warning - It is vital for the safety of persons to follow all instructions. Failure to comply with the following Safety Rules may result in serious personal injury and/or property damage.

-  For **ADDITIONAL SAFETY** protection we **STRONGLY** recommend the fitting of a Photo Electric Beam. In most countries Photo Electric Beams are mandatory on all garage doors fitted with automatic openers. For a small additional outlay ATA recommends that Photo Electric Beams be installed with the automatic opener ensuring additional safety and peace of mind.
-  **DO NOT** operate the garage door opener unless the garage door is in full view and free from objects such as cars and children/people. Make sure that the door has finished moving before entering or leaving the garage.
-  **DO NOT** operate the garage door opener when children/persons are near the door. Children must be supervised near the garage door at all times when the door opener is in use. **SERIOUS PERSONAL INJURY** and/or property damage can result from failure to follow this warning.
-  **DO NOT** allow children to operate the garage door opener. **SERIOUS PERSONAL INJURY** and/or property damage can result from failure to follow this warning.
-  Regularly check to make sure that the **SAFETY OBSTRUCTION FORCE** is working correctly, and is **TESTED** (by placing a 50mm high object on the floor) and set as per the Installation Instructions Manual. Failure to follow the manual could result in **SERIOUS PERSONAL INJURY** and/or property damage. This test must be repeated at regular intervals and the necessary adjustments made as required.
-  **DO NOT** disengage the door opener to manual operation with children/persons or any other objects including motor vehicles within the doorway.
-  Install the wall switch or wall mounted transmitter in a location where it is out of reach of children and the garage door is visible.
-  The door opener is not intended for use by young children or infirm persons without adequate supervision. Children should be supervised to ensure that they do not play with the remote transmitters or the opener.
-  Keep hands and loose clothing **CLEAR** of the door and door opener at all times.
-  The unit should be installed so that it is protected from the elements. It should not be exposed to water or rain. It is not to be immersed in water or sprayed directly by a hose or other water carrying device.
-  The garage door must be **WELL BALANCED**. Sticking or binding doors must be repaired by a qualified garage door installer prior to installation of the opener.
-  Frequently examine the installation, in particular cables, springs and mountings for signs of wear, damage or imbalance. **DO NOT** use if repair or adjustment is needed since a fault in the installation or an incorrectly balanced door may cause injury. **DO NOT** attempt to repair the door yourself as hardware is under extreme tension.
-  **REMOVE OR DISENGAGE** all garage door locks and mechanisms prior to installation of the opener.
-  Connect the garage door opener to a properly **EARTHED** general purpose 240V mains power outlet installed by a qualified electrical contractor.
-  **DISCONNECT THE POWER CORD** from mains power before making any repairs or removing covers. Only **EXPERIENCED** service personnel should remove covers from the garage door opener.
-  When using auto close mode, a **PHOTO ELECTRIC BEAM** must be fitted correctly and tested for operation at regular intervals. **EXTREME CAUTION** is recommended when using auto close mode. **ALL SAFETY RULES** must be followed.
-  In order for the garage door opener to **SENSE** an object obstructing the door way, some **FORCE** must be exerted on the object. As a result the object, door and/or person may suffer **DAMAGE or INJURY**.
-  If the power supply cord is damaged, it **MUST** be replaced by an ATA service agent or suitably qualified person.
-  Make sure that the door is fully open before driving in or out of the garage and fully closed before leaving the driveway.
-  Make sure that remote controls are kept out of reach of children.

Automatic Technology Australia Pty Ltd to the extent that such may be lawfully excluded hereby expressly disclaims all conditions or warranties, statutory or otherwise which may be implied by laws as conditions or warranties of purchase of an Automatic Technology Australia Pty Ltd Garage Door Opener. Automatic Technology Australia Pty Ltd hereby further expressly excludes all or any liability for any injury, damage, cost, expense or claim whatsoever suffered by any person as a result whether directly or indirectly from failure to install the Automatic Technology Australia Garage Door Opener in accordance with these installation instructions.

PRODUCT FEATURES

Thank you for purchasing the ATA SecuraLift® Automatic Garage Door Opener. This opener is designed to suit sectional overhead and one piece tilt up doors. The components and materials used in this opener are of the latest technology and highest quality. Listed below are some of the many features.

OPERATION

To open or close the door simply press the hand held transmitter, the wall mounted transmitter, or optional wall switch for two seconds. During an open or close cycle the door can be stopped by pressing the button while the door is in motion. The next actuation will move the door in the opposite direction.

HOPPING CODE

Every time a transmission is made from the *remote* transmitter a new security code is generated. The number of possible code combinations is over 4.29 billion. This greatly enhances the security of the system. Code “grabbing” is made a thing of the past.

ALPS (AUTOMATIC LIMITS POSITIONING SYSTEM)

A revolutionary door travel limits positioning system., the new ALPS technology does away with manual adjustment of the doors’ limits position using mechanical parts, such as cams and micro switches.

The ALPS technology automatically calculates the doors’ travel limits and stores it in memory. If the door is moved manually within the travel limits during a power failure, the ALPS will recognise this once the power is restored and stop at the correct limit position if the door is activated.

During installation the hand held transmitter can be programmed to set the door limits positions.

ISS (INTELLIGENT SAFETY OBSTRUCTION SYSTEM)

While the door is performing a close cycle, should it hit an obstacle or be restricted in some manner, it will automatically reverse. The amount of force the door should encounter before reversing is automatically adjusted by the doors control system during the initial installation of the automatic door opener. The door will also stop if restricted whilst opening. The Safety Obstruction Force should be checked at least once a month. See installation manual for instructions.

SECURITY CODE STORE

The SecuraLift® Garage Door Opener uses state of the art technology in storing your selected transmitter security code. Up to 23 different transmitters can be stored in the openers memory.

OVER LOAD INDICATOR

When the maximum opening and closing capacity of the opener is exceeded an audible beeper will sound to indicate that an overload has occurred.

AUTO COURTESY LIGHT

The courtesy light on the opener comes on automatically whenever the door is activated. The light can also be switched on and off without operating the door. This is done by pressing the button on any hand held or wall mounted transmitter which has been stored with the light code. The light will stay on for approximately three minutes then switch off. This time is also adjustable.

VACATION MODE

A hand held transmitter can be programmed to lock and unlock all other transmitters that have been programmed into the openers’ memory. The vacation mode can be used when the door is left idle for long periods of time.

PET (PEDESTRIAN) MODE

The hand held transmitter can be programmed to open the door partially so that the family pet can enter and exit the garage at any time. You may also wish to open the door to a height suitable only for pedestrian access. The door opening position is also programmable.

AUTO CLOSE MODE

The opener can be programmed to automatically close after an open cycle. The auto close time is adjustable. It is compulsory to install a Photo Electric Beam if this mode is selected, otherwise the door may cause personal injury or damage to property.

PHOTO ELECTRIC BEAM (OPTIONAL)

The opener has an input for a photo electric beam to be connected for extra safety protection and use of the auto close mode.

MANUAL OPERATION

The opener is equipped with a unique manual disengaging device. If the power to the opener is disrupted for any reason the door can be put into manual mode by pulling down on the string handle on an angle towards the door. This will allow you to manually open or close the door. to re-engage the opener pull the string handle away from the door.

OPERATING CONTROLS

1. LIGHT CODE button (white) is used for storing or erasing the transmitter button (code) you wish to use to switch the courtesy light on the opener on or off.

2. CODING LED (red) light flashes when a code is being stored or when a transmitter button is pressed.

3. DOOR CODE button (blue) is used for storing or erasing the transmitter button you wish to use to command the door to open, stop or close.

4. DOOR STATUS LED (Yellow)

5. CLOSE drive button (red) is used during installation to help set the close limit position. Pressing and holding this button will move the door in the close direction. Movement stops when the button is released.

NOTE: The close safety obstruction detection is inoperable whenever the Open or Close Drive button is used to move door.

6. CLOSE LIMIT LED (red) the led is very helpful during installation. It illuminates and flashes when the door is closing and remains steady on when the close limit position has been reached.

7. AUTO CLOSE TIME button (White) is used to adjust the auto close time. While holding in the auto close button and then pressing the open button the time is increased. Each press will increase the time by 5 seconds. Pressing the close button will decrease the time.

8. SET button (yellow) is used during the installation phase together with the Open and Close buttons to set the door limit positions. The Set button is also used to re-initialise the Opener.

9. O/S/C button (Yellow) is used during installation to test the open, stop and close cycles for the opener. The opener has to be initialised by the Reset button before the O/S/C button becomes operable.

10. OPEN DRIVE button (green) is used during installation to help set the open limit position. Pressing and holding this button will move the door in the open direction. Movement stops when the button is released.

NOTE: The open safety obstruction detection is inoperable whenever the Open or Close Drive button is used to move door.

11. OPEN LIMIT LED (green) the led is very helpful during installation. It illuminates and flashes when the door is opening and remains steady on when the open limit position has been reached.

12. FORCE MARGIN SET Button The obstruction force pressure is set automatically by the opener during installation. The pressure can be adjusted manually using the Force Margin Set button (White). Pressing the force margin set button and open or close button will increase or decrease the amount of force. The Force Margin Set is only ever used if other environmental factors (wind, etc.) effect the operations of the door/opener.

13. P. E. SHUNT. The shunt has to be removed when connecting a Photo Electric Beam.

NOTE: P.E. SHUNT must not be removed otherwise the opener will not function correctly. Remove only when a P.E beam is to be connected.

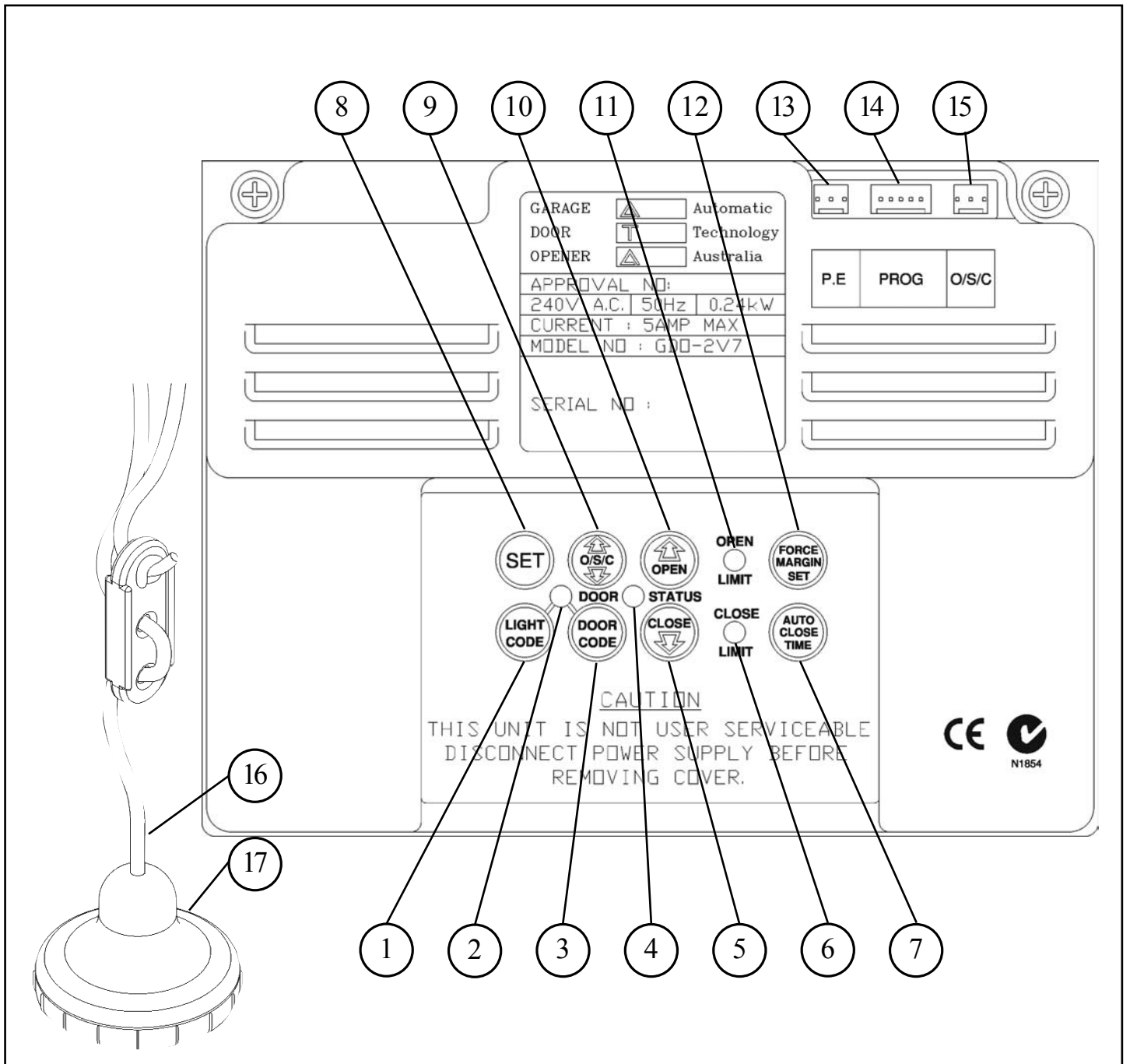
14. PROG INPUT is used for the connection of the ATA Universal Programmer for the purpose of editing control and receiver functions.

15. O/S/C INPUT is used for the connection of a wired switch (momentary contact). This switch can then be used to open, stop or close the door. Install the wall switch in a location where the switch is out of reach of children and the garage door is visible.

16. ENGAGE/DISENGAGEMENT CORD when pulled down and released this will select manual mode on the opener, particularly when there is a power failure. Pulling down and again releasing will select automatic mode on the opener. The length of the string is adjustable.

17. EASY ACCESS TRANSMITTER The “manual release” engage/disengagement handle has within its housing a wireless transmitter. If the button is pressed it will open, stop or close the garage door.

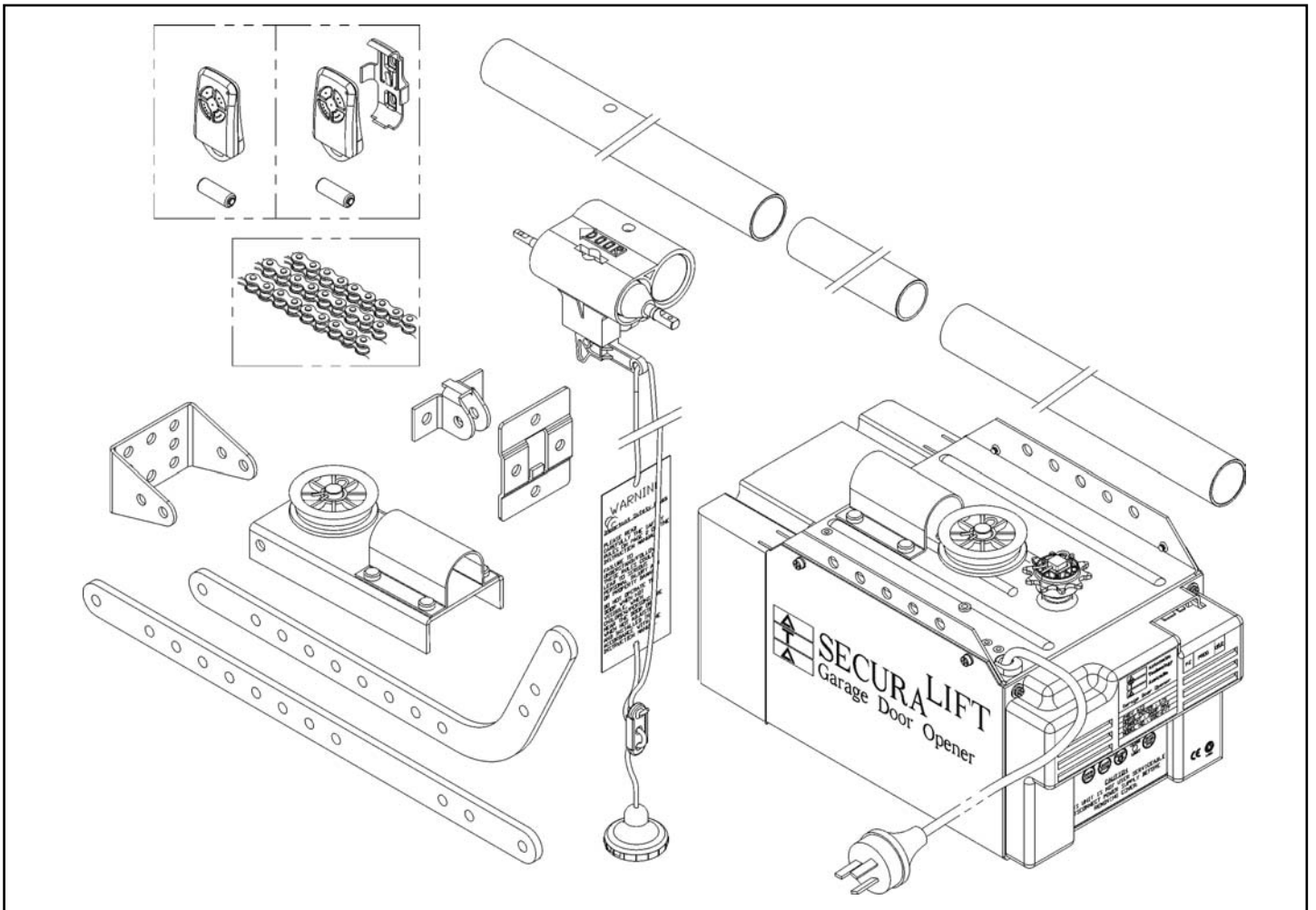
OPERATING CONTROLS



- | | |
|------------------------------|---------------------------------|
| 1) LIGHT CODE BUTTON (WHITE) | 10) OPEN DRIVE BUTTON (GREEN) |
| 2) CODING LED (RED) | 11) OPEN LIMIT LED(GREEN) |
| 3) DOOR CODE BUTTON (BLUE) | 12) FORCE MARGIN SET BUTTON |
| 4) DOOR STATUS LED (YELLOW) | 13) P.E. SHUNT |
| 5) CLOSE DRIVE BUTTON (RED) | 14) PROG. INPUT |
| 6) CLOSE LIMIT LED (RED) | 15) O/S/C INPUT |
| 7) AUTO CLOSE BUTTON (WHITE) | 16) ENGAGE/DISENGAGEMENT CORD |
| 8) SET BUTTON (YELLOW) | 17) ENGAGE/DISENGAGEMENT HANDLE |
| 9) O/S/C BUTTON (YELLOW) | EASY ACCESS TRANSMITTER |

PACKAGE CONTENTS

ITEM	QUANTITY
GDO-2 SECURALIFT® DRIVE UNIT	1
SECURACODE® KEY RING TRANSMITTER - PTX-4	2
EASY ACCESS TRANSMITTER - EAT-1 (Not available all models)	1
WALL MOUNT BRACKET FOR PTX-4	1
BATTERY A23 12V ALKALINE	2
TUBES	5
TUBE INSERTS	4
PIPE SUPPORT ASSEMBLY	1
CHAIN	1
SHUTTLE/TROLLEY ASSEMBLY	2
DOOR ATTACHMENT ARMS	2
ACCESSORY PACK	1
INSTALLATION MANUAL	1



TUBE/PIPE ASSEMBLY

IMPORTANT SAFETY INSTRUCTIONS FOR INSTALLATION

Warning: Incorrect installation can lead to severe injury. Follow ALL installation instructions.

CHECK OPERATION OF DOOR

BEFORE BEGINNING THE INSTALLATION OF THE SECURALIFT® AUTOMATIC OPENER CHECK THE OPERATION OF THE DOOR.

The door must be well balanced and be in a reasonable operating condition. You should be able to lift the door smoothly and with little resistance. It should stay open around 900mm to 1200mm above the floor. The door should not stick or bind in the guide tracks. The ideal operational effort in raising or lowering the door should not exceed a force of 10kg (22 lbs.). Make sure that all door locks are either released, or disabled and remove unnecessary accessories.

STEP 1

Slide shuttle assembly onto tube (one piece only) and locate it in approximately half way position.

Please note: Arrow on shuttle must point towards garage door. To assemble the rest of the tubes, always slide short insert tube half way into the long tube, then slide other tube onto remaining portion of insert tubes. Continue this process with remaining tube until desired length is achieved.

STEP 2

The opener is supplied with a 10 teeth drive sprocket on drive unit. If the opener is to be fitted to a one piece door without track, exchange the 10 teeth sprocket on drive unit, with a 7 teeth drive sprocket available as an option from ATA.

IMPORTANT: If using a track type door (often referred to as a sectional or track tilt door) use only 10 teeth drive sprocket on the drive unit. If using a one piece door without tracks use the 7 teeth sprocket on drive unit.

STEP 3

Attach one end of chain (supplied) to chain index screw, nearer to drive unit, using one joint link. (**Fig. 3**).

Proceed to wrap chain around drive unit sprocket/idler wheel then follow along the pipe to the idler wheel on support pipe assembly, finally attach to the other end of the chain index screw.

NOTE: Make certain that teeth of drive unit sprocket are engaged in the chain and that the chain is not twisted. Make sure that the chain is engaged in the plastic chain idle wheel on the support pipe assembly.

STEP 4

Disengage trolley from chain index by swinging lever downward (**Fig. 4**), then slide trolley away from chain index along pipe track. Loosen locking nuts on chain index screws. To tighten chain, turn chain index in anti-clockwise direction, looking from support pipe assembly to drive unit. Do not over-tighten chain as it has to sag 6-12mm. Check before locking screw with locking nuts that chain is not twisted. When the tension is finalised, tighten lock nuts at both ends of chain index.

FIG. 1

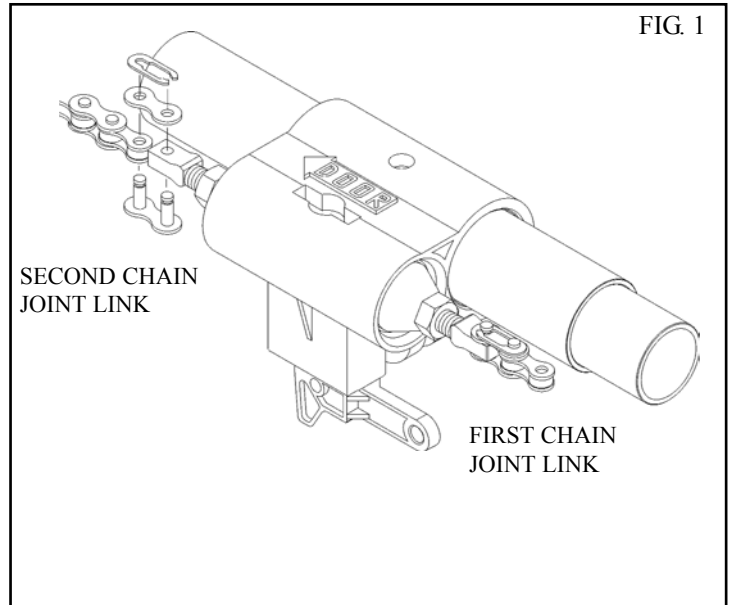
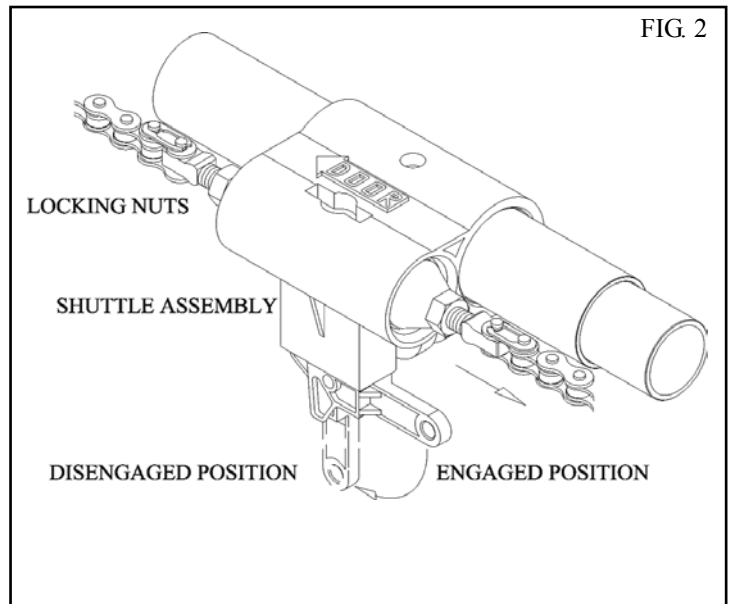


FIG. 2

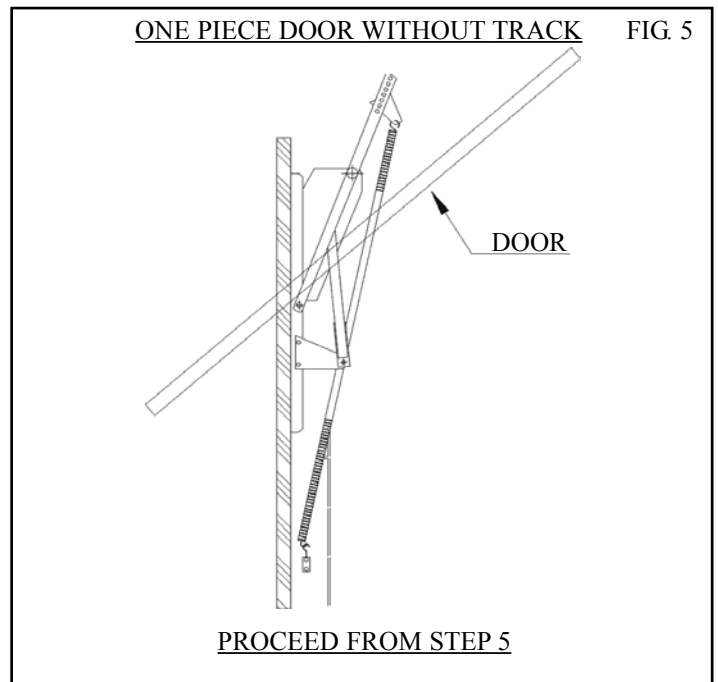
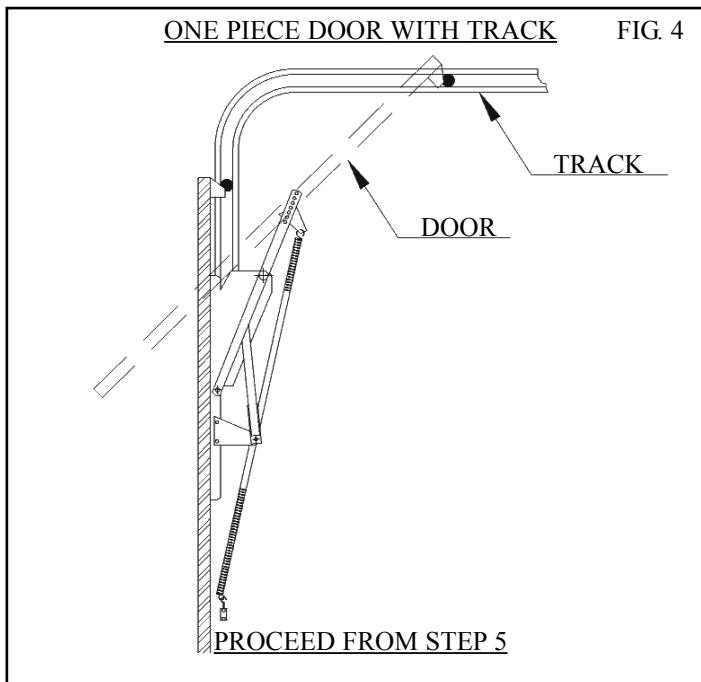
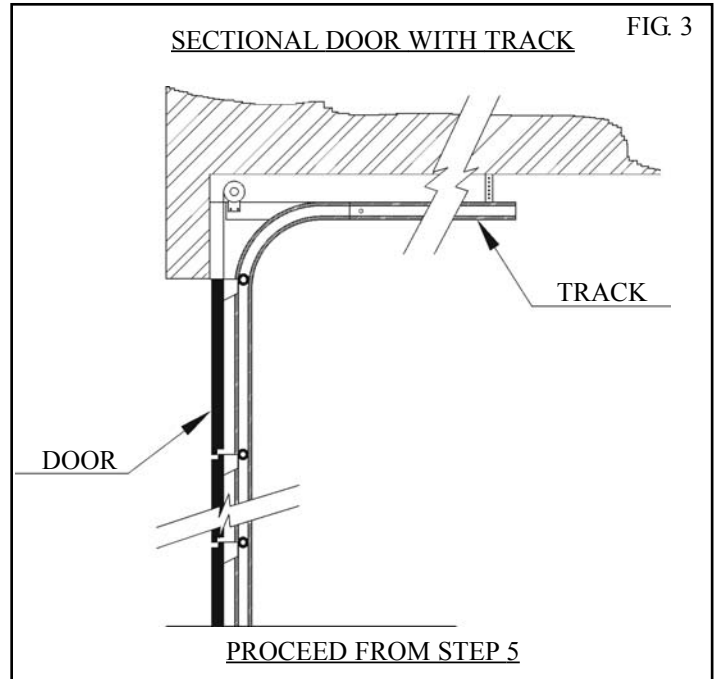


DETERMINE THE DOOR TYPE

Determine which type of garage door you have as illustrated below. (Fig. 3 -5).

- For a sectional (panel) door on tracks (Fig. 3) proceed with the installation from Step 5.
- For a one piece door on tracks (Fig. 4) proceed with the installation from Step 5.
- For a one piece door without tracks (on springs) (Fig. 5) proceed with the installation from Step 9.

Remember - a one piece door without tracks requires a 7 teeth drive sprocket.



MOUNTING OPENER FOR TRACK TYPE DOOR

STEP 5

Open the door and find the highest point of travel of the top door panel. Using a level, transfer this height to the wall above the floor (Fig. 6) and mark a line 60mm above it.

Determine the centre of the location on the wall above and on top of the door. Then draw two (2) lines 21.5mm on each side of the door centre. (Fig. 7).

STEP 6

The intersection of line at 21.5mm from door centre and line 60mm above highest point of travel are centre points, where holes for mounting of wall bracket should be drilled. (Fig. 7) If the wall bracket is mounted onto concrete or brick wall, use 8mm or 5/6 loxins or dynabolts. If mounting onto wooden lintel or beam, use wood screw #20 or equivalent minimum 50mm long.

WARNING: MAKE SURE CONCRETE, BRICK WALL OR TIMBER LINTELS ARE SOLID AND SOUND SO AS TO FORM A SECURE MOUNTING PLATFORM.

STEP 7

When the wall bracket is firmly secured in its proper position, attach the support pipe assembly to wall bracket with 90 mm long clevis pin and secure with supplied spring clip, (Fig. 8) leaving drive unit in its packing box for protection during installation.

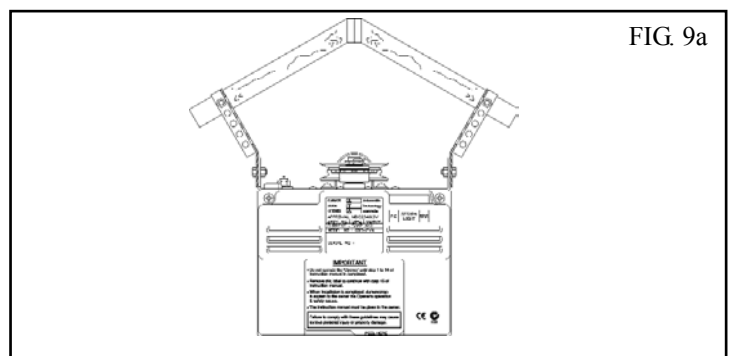
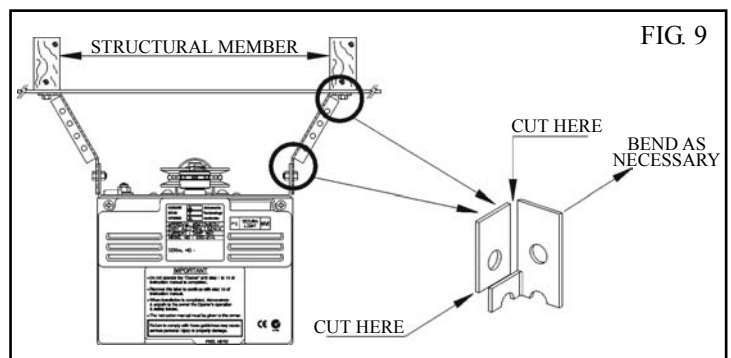
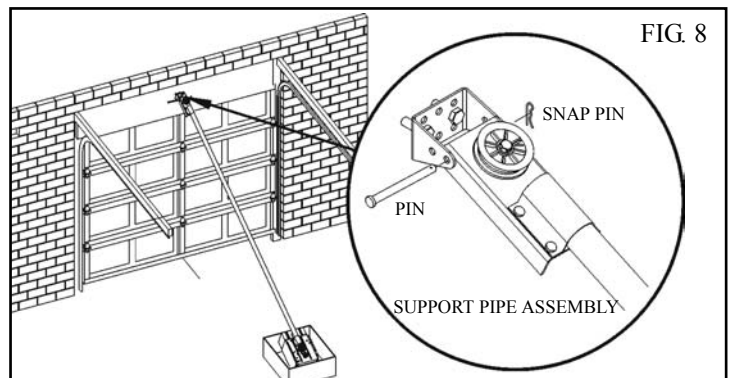
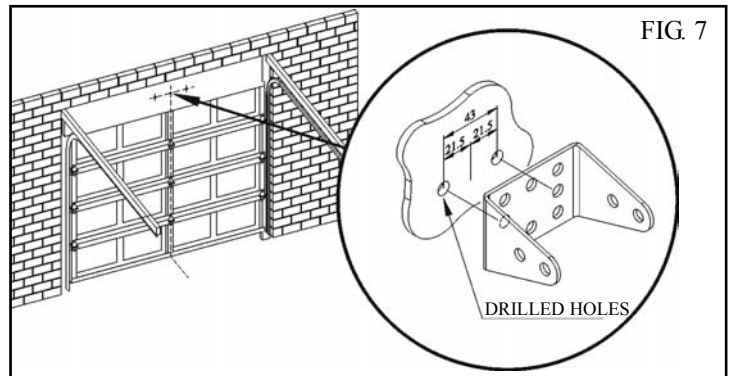
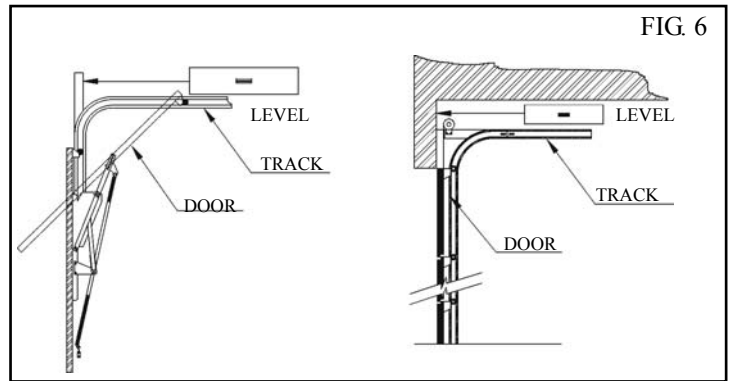
STEP 8

Raise the drive unit from the packing box and support it in a horizontal position with a step ladder, then open the garage door. Rest the opener on the open door and use a scrap piece of wood to bring it to horizontal level. Line up the track with the centre line on top of the door. Secure to the ceiling above drive unit mounting holes, with perforated angle (not supplied). A representative mounting is shown. (Fig. 9 & 9a)

Connect angle and drive unit with 2 flat perforated strips of angle (not supplied) with M8 x 20mm screws, nuts and washer. Strips should not extend more than 18mm below centre of drive unit mounting holes. (FIG. 9 & 9a).

WARNING: THE OPENER MUST BE SECURELY FASTENED TO A STRUCTURAL SUPPORT OF THE GARAGE. FAILURE TO FASTEN THE OPERATOR CORRECTLY WILL LEAD TO POSSIBLE OPENER FAILURE CAUSING SERIOUS PERSONAL INJURY AND/OR PROPERTY DAMAGE.

GO TO STEP 13



MOUNTING OPENER FOR SPRING LOADED DOOR

STEP 9

Determine the centre of the door and mark this location on the wall above and on top of the door. Then draw two (2) lines 21.5mm on each side of the door. (Fig. 10).

WARNING; MAKE SURE CONCRETE, BRICK WALL OR TIMBER LINTELS ARE SOLID AND SOUND SO AS TO FORM A SECURE MOUNTING PLATFORM.

STEP 10

Raise the door to open position. Rest the opener on the top edge of the door with end of the pipe/tube against the header wall and drive unit support level with the lowest point of the open door. (Fig. 11).

Note: Do not slide opener tube/pipe on face of the door when it is open.

Secure the opener to the ceiling above drive unit mounting holes, with perforated angle (not supplied). A representative mounting is shown. (Fig. 9 & 9a)

Connect angle and drive unit with 2 flat perforated strips of angle (not supplied) with M8 x 20mm screws, nuts and washer. Strips should not extend more than 18mm below centre of drive unit mounting holes. (Fig. 9 & 9a).

Do not lock screws at this stage.

STEP 11

Close the door slowly. The opener pipe/tube will be elevated by the top edge of the door as it moves. Stop the door when it is at its highest point of travel. (Fig. 12)

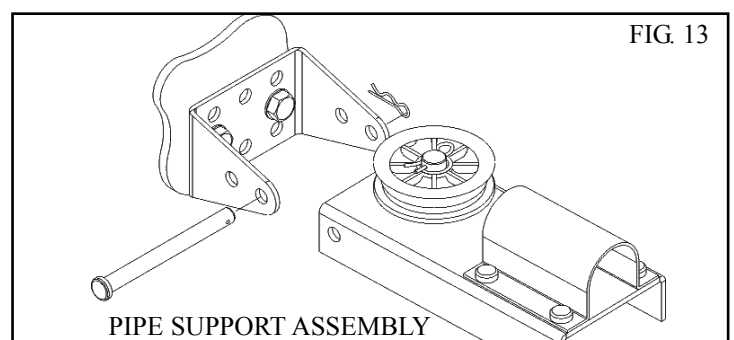
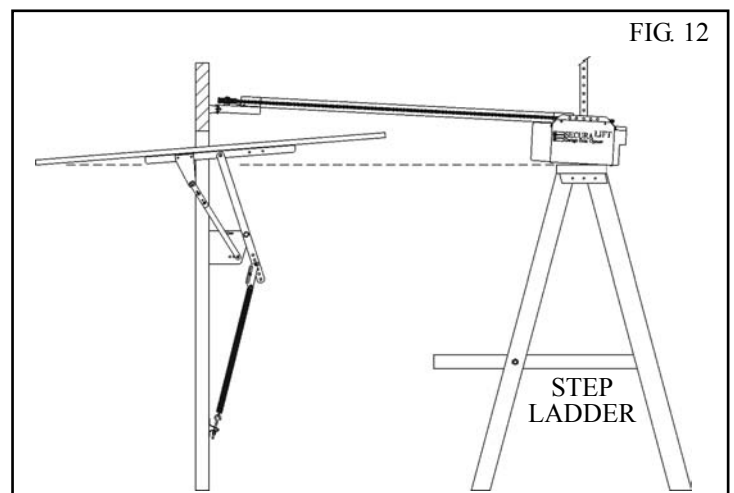
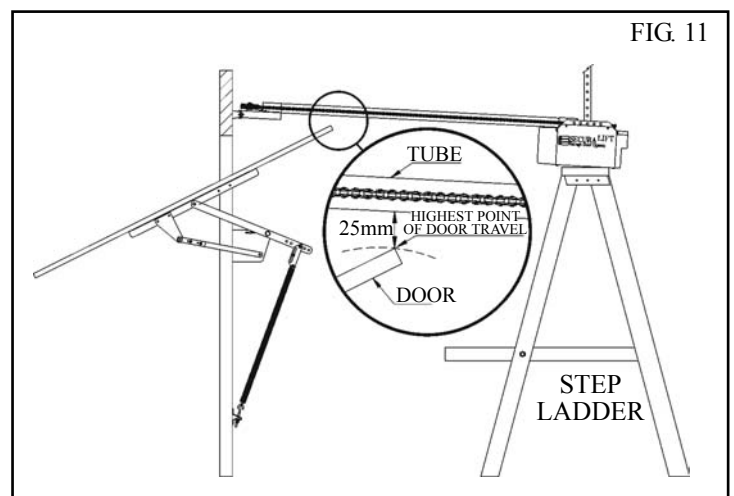
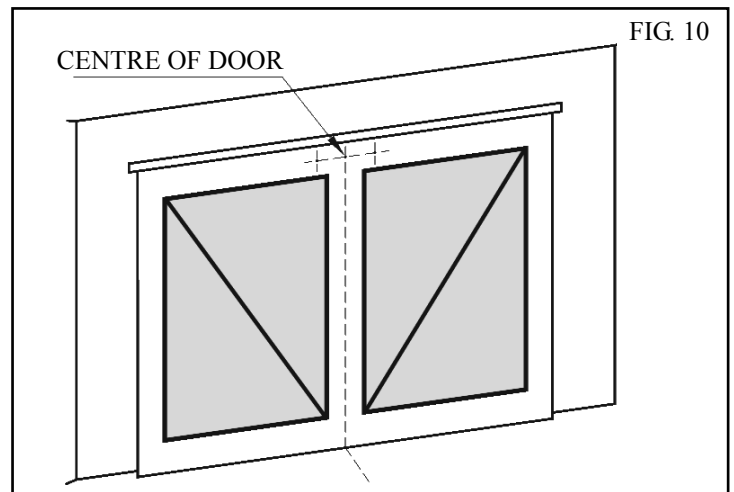
Allow 25mm additional height for clearance between the door and the track. Support pipe / tube in this position and the close the door. (Fig. 12) This will be the height to mount the wall bracket. Top of door must not touch tube.

WARNING: THE OPENER MUST BE SECURELY FASTENED TO A STRUCTURAL SUPPORT OF THE GARAGE. FAILURE TO FASTEN THE OPERATOR CORRECTLY WILL LEAD TO POSSIBLE OPENER FAILURE CAUSING SERIOUS PERSONAL INJURY AND/OR PROPERTY DAMAGE.

STEP 12

With the centre point of the door located, mark a line through the centre of the wall bracket onto the header wall (above the door). Using the bracket as a template mark a minimum of two holes and drill with appropriate size bit. If necessary the wall bracket can be anchored using more than two holes for a more secure fitting.

If the wall bracket is mounted onto concrete or brick wall, use M8 or 5/6 loxins or dynabolts. If mounted onto wooden lintel or beam, use wood screws #20 or equivalent, minimum 50mm long. Attach the wall bracket to the support pipe assembly with 90mm long clevis pin (Fig. 13) and secure by spring clip.



MOUNTING DOOR BRACKET AND ARMS

STEP 13

The door bracket comes in two parts. The bottom plate with two mounting holes is used on its own for any one piece doors. The top plate is placed over the bottom plate and uses 4 mounting holes for extra strength. This is used on sectional doors. (See **Fig. 14**).

Mount the door bracket to the centre line of the door (**Fig. 14**), using M6 or equivalent screws (not supplied) Alternatively it can be welded on steel doors.

Note: As various types of doors exist, if in doubt about the strength of the door, reinforcement may need to be added to the frame of the frame or panel where necessary. Damage to the door panel may occur if the bracket is installed incorrectly on a panel with insufficient strength. The door opener warranty does not cover damage caused by the opener to the door and/or door panel.

STEP 14

Assemble bent and straight arm with screws, plain and spring washer and nuts supplied in accessory pack. (**Fig. 15**) Then connect assembled arm to the door bracket and the trolley by clevis pin and spring clip. Trolley must be in disengage position. Always use the bend & straight arm.

If installing on a door with bad wave action, lengthening the arm even further will assist the door operation by reducing the wave action.

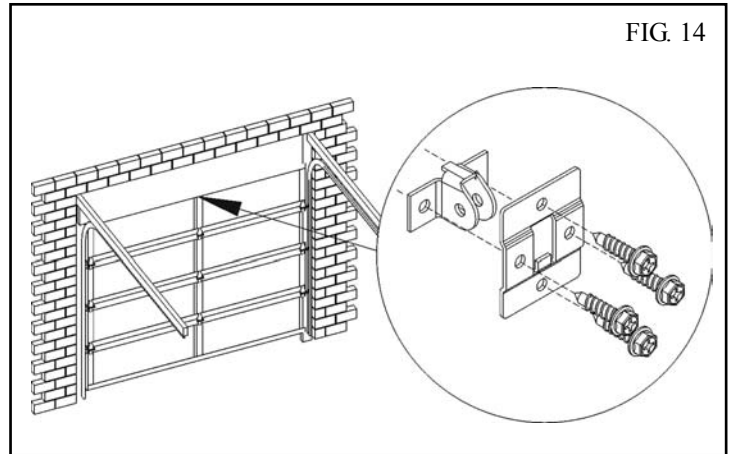


FIG. 14

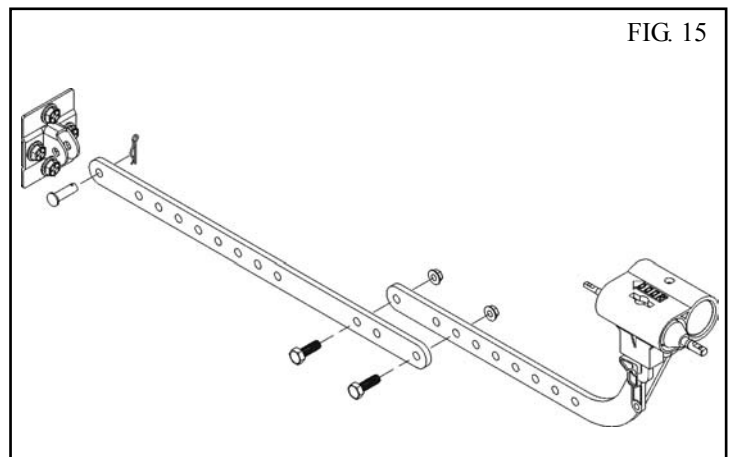


FIG. 15

THE EASY ACCESS TRANSMITTER

The Easy Access Transmitter is prepared ready for use with the battery pre-installed. Before the transmitter can be operational, the Transmitter Code has to be stored into the openers memory. To store the code please follow the instructions in Step 18.1 on page 16.

REMOVING THE COVER TO REPLACE BATTERY

1. Rotate the cover Clockwise to 'CLOSE'
2. Rotate the cover Anti-clockwise to 'OPEN'

REMOVING THE BATTERY

(Battery Type: 3V Lithium Battery CR1220).

Use a non - metallic object (e.g Pen) to remove the battery. (see **Fig. 18**)

WARNING

Metallic objects used to remove the battery may DAMAGE the the circuit board or the battery.

REPLACING THE BATTERY

Place one side of the battery into the battery holder, then press the battery down firmly until it clicks into a flat position.

Note: The length of the manual release cord is user adjustable simply by sliding the plastic toggle along the cord to achieve the desired length. Adjust the length of the cord so that it can be easily reached by an adult of average height (ie. less than 1.8m tall).

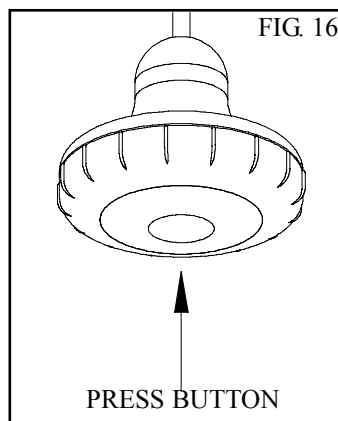


FIG. 16

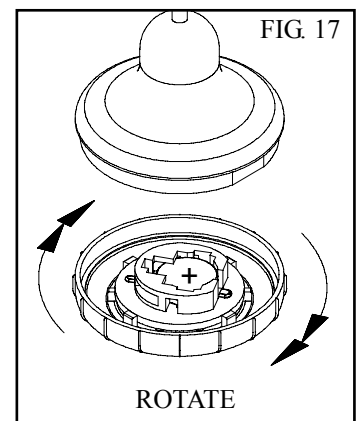


FIG. 17

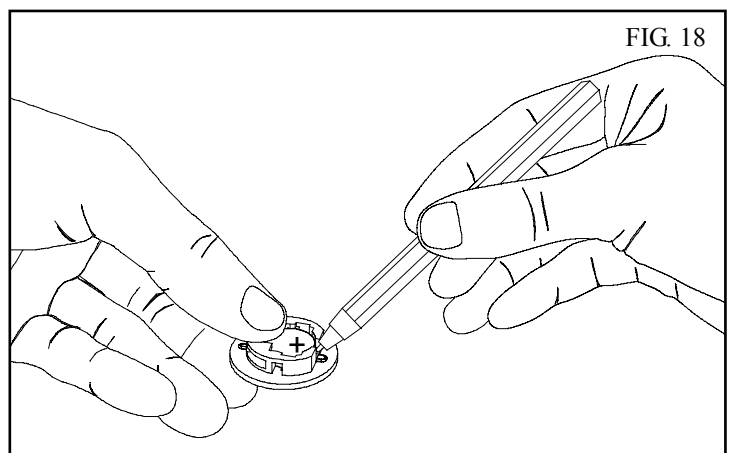


FIG. 18

SETTING LIMITS

STEP 15

SETTING TRAVEL LIMITS POSITIONS

METHOD ONE: VIA THE CONTROL PANEL

IMPORTANT NOTE: The O/S/C button will not function until the open and close limits positions are set.

15.1 SETTING LIMITS POSITIONS

1. Plug the drive unit power cord into mains power point and switch power on.
2. Check that the door is open approximately half way. If not move it by hand.
3. Engage the shuttle into chain index. If necessary use the Red Close button or Green Open button to inch the index to engage the shuttle.

NOTE: The door and shuttle must be engaged into the chain index and should be in the approximate half way position.

4. Depress red close button and hold it, the door will start closing. Release the button once you have reached your desired closed limit position. (Fig. 19)
5. Press the set button (Fig. 19). This action will store into memory the closed limit position.
6. Press the green open button (Fig. 19), the door will start opening. Release the button once you have reached your desired opened limit position.

IMPORTANT WARNING: Please be aware that the garage door will start closing automatically once step 7 is performed. The door will also automatically re-open after fully closing with a small pause between the cycles.

7. Press the Set button (Fig. 19). This action will store into memory the open limit position. The door will now automatically close to its limit position then fully open to calculate the safety obstruction forces (ISS). Please be aware of the above warning. The opener can now be operated from the O/S/C Button.

15.2 RESETTING DOOR LIMIT POSITIONS

The door travel limit positions can be deleted for new positions by the following steps below:

1. Press and hold the Close button (Fig. 19) for six (6) seconds until you hear three beeps and the red Close Limit LED starts to flash. Release the button.
2. Follow STEP 15.1 1 to 7 to set new travel limit positions.

Go to STEP 17 and test the Safety Obstruction Force.

FIG. 18

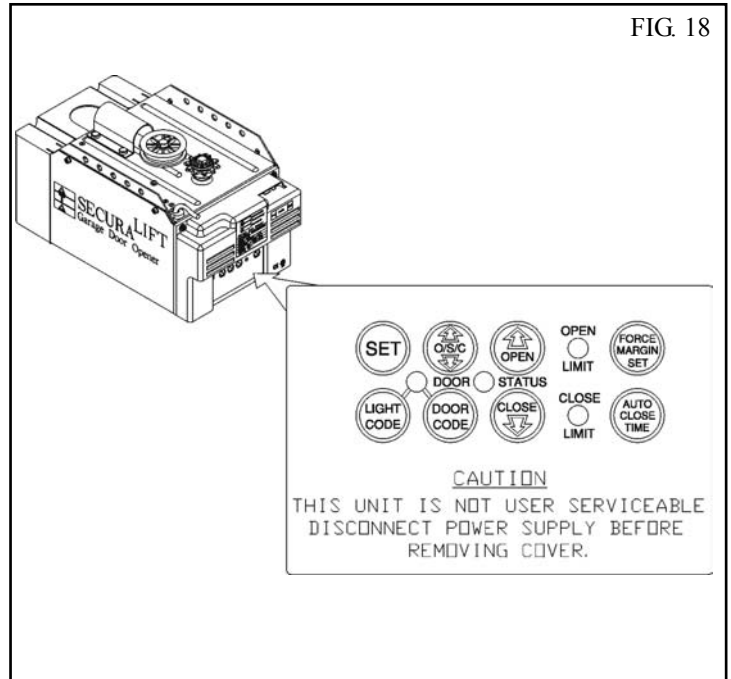
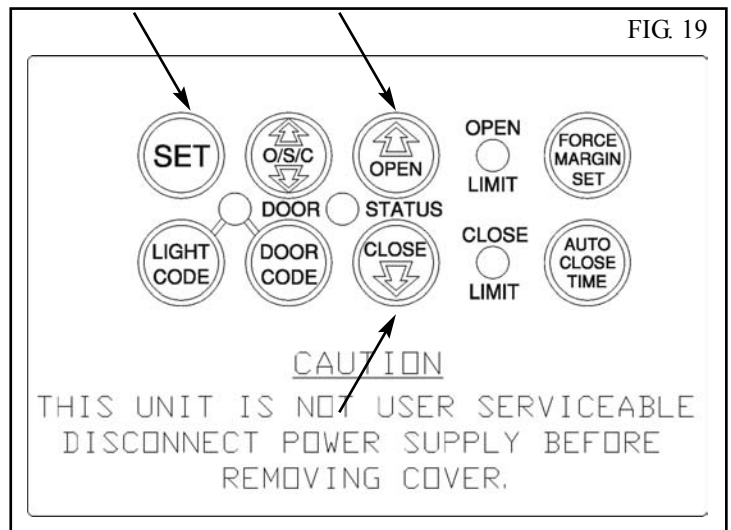


FIG. 19



SETTING LIMITS

STEP 16

SETTING TRAVEL LIMIT POSITIONS

METHOD TWO: VIA THE TRANSMITTER

IMPORTANT NOTE: The O/S/C button will not function until the open and close limits position are set.

16.1 SETTING LIMITS

1. Plug the drive unit power cord into mains power point and switch power on.
2. Check that the door is open approximately half way. If not move it by hand.
3. Engage the shuttle into chain index. If necessary use the Red Close button or Green Open button to inch the index to engage the shuttle.

NOTE: The door and shuttle must be engaged into the chain index and should be in the approximate half way position.

4. Press and hold the Door Code button (Fig. 19).
5. Press button 1 (Fig. 20) on the transmitter for two seconds. Release and pause for two seconds. Press the same button again on the transmitter for two seconds.
6. Release the Door Code button.
7. Press button 4 (Fig. 20), the door will start closing, release the button once you are 1 to 2 cm from your desired closed limit position. Press button 3 (Fig. 20) for two seconds then release.
8. Press button 4, each press will enable you to inch the door to your desired closed position.
9. Once you are happy with the position press button 2 (Fig. 20), this action will store into memory the closed limit position.
10. Press button 1 (Fig. 20), the door will start opening. Release the button once you are 1 to 2 cm from your desired open limit position. Press button 3 for two seconds then release.
11. Press button 1. Each press will enable you to inch the door to your desired closed position.

IMPORTANT WARNING: Please be aware that the garage door will start closing automatically once step 12 is performed. The door will also automatically re-open after fully closing with a small pause between the cycles.

12. Once you are happy with the position press button 2, this action will store into memory the open limit position. The door will now automatically close to its limit position then fully open to calculate the safety obstruction forces (ISS). Please be aware of the above warning.

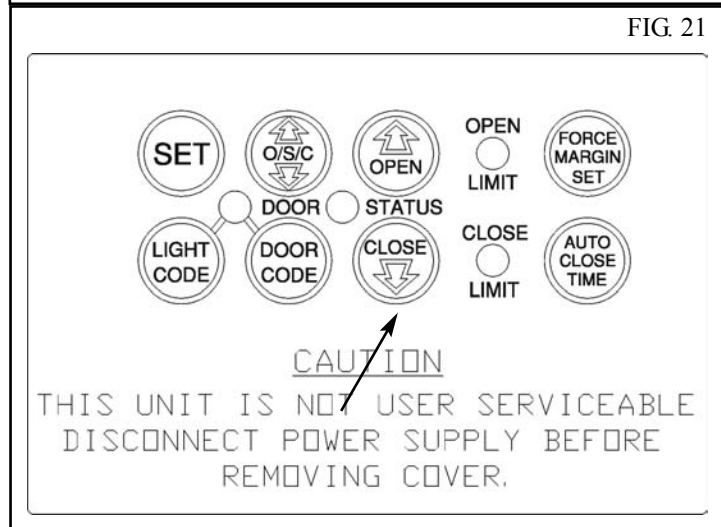
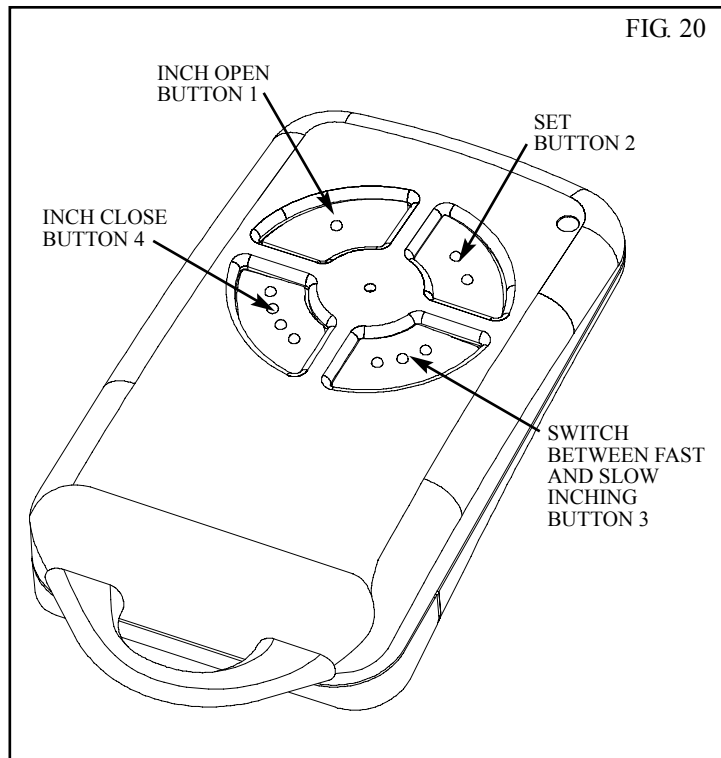
16.2 RESETTING DOOR LIMITS POSITIONS

The door travel limit positions can be deleted for new positions by the following below:

1. Press and hold the Close button (Fig. 21) for six (6) seconds until you hear three beeps and the red Close Limit LED starts to flash. Release the button.
2. Follow STEP 16.1-1 to 12 to set new travel limit positions.

Important: Their is no need to re-code the transmitter used for setting the limit positions. After the limits are set the transmitter will automatically reset to normal operation.

Go to STEP 17 and test the Safety Obstruction Force.



SETTING SAFETY OBSTRUCTION FORCE

STEP 17

SAFETY OBSTRUCTION TEST

Please take care when testing the Safety Obstruction Force. Excessive force may cause **SERIOUS PERSONAL INJURY** and/or **PROPERTY DAMAGE** can result from failure to follow this warning.

17.1 TESTING CLOSE CYCLE

1. Open the door by pressing the Yellow O/S/C button (Fig. 22).
2. Place a length of timber approximately 50mm high on the floor directly under the door (Fig. 23).
3. Press the Yellow O/S/C button to close door. The door should strike the object and start to re-open.

17.2 TESTING OPEN CYCLE

1. Close the door by pressing the Yellow O/S/C button.
2. Press again to open the door. When the door reaches half the opening distance, grab the bottom rail of the door firmly, the door should stop.

If the door does not reverse readily when closing, or stop when opening, the force may be excessive and need adjusting, refer to STEP 17.4.

IMPORTANT WARNING: If the door is closing and is unable to re-open when obstructed, discontinue use. Do not use a door with faulty obstruction sensing. Repair fault and re-test before using.

ADJUSTING SAFETY OBSTRUCTION FORCE

The Safety Obstruction Force is calculated automatically and set in memory on the SecuraLift opener. It is usually not necessary to adjust the Safety Obstruction Force. The only time the force may need to be increased is due to environmental conditions, for example, windy or dusty areas, and areas with extreme temperature changes.

17.3 TO INCREASE FORCE PRESSURE

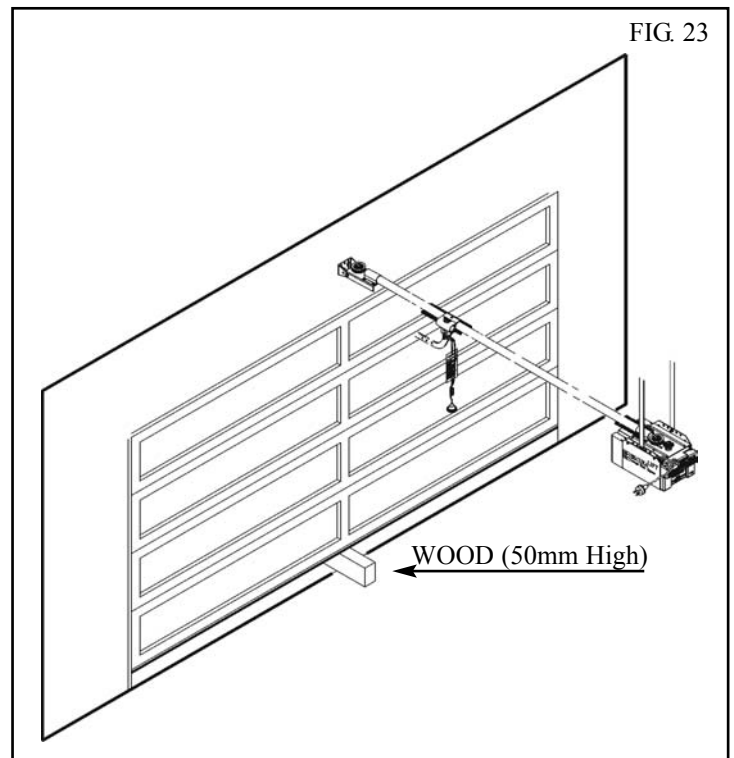
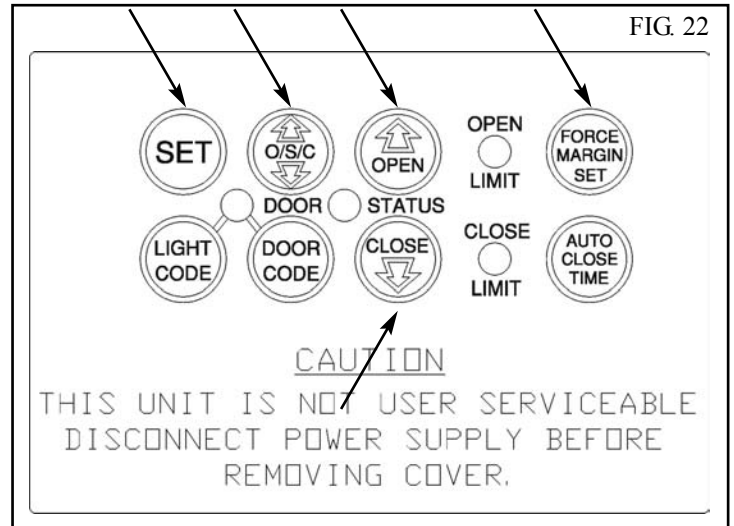
1. Press and hold the Force Margin Set button (Fig. 22)
2. While holding down the Force Margin button, press the Open button (Fig. 22). Each press increases the force margin. The Open Limit LED will illuminate each time the Open button is pressed. Each press increases the force margin. Test the force as per step 8.1 and 8.2. If the Open Limit LED flashes continuously when the open button is being pressed, this indicates that the maximum force pressure setting has been reached.

17.4 TO DECREASE FORCE PRESSURE

1. Press and hold the Force Margin Set button (Fig. 22).
2. While holding down the Force Margin button, press the Close button (Fig. 22). Each press decreases the force margin. The Close Limit LED will illuminate each time the Close button is pressed. Test the force as per step 8.1 and 8.2. If the Close Limit LED flashes continuously when the Open button is being pressed, this indicates that the maximum force pressure setting has been reached.

17.5 TO RECALL FACTORY SET FORCE

1. While holding down the Force Margin Set button (Fig. 22) press the SET button (Fig. 22) for two seconds.
2. Release both buttons. The default setting should now be recalled.



CODING TRANSMITTERS

STEP 18

SETTING TRANSMITTERS CODES

Make sure to connect the battery to the transmitters. The memory in the openers receiver can store up to 23 different remote control transmitters.

18.1 STORING THE TRANSMITTERS CODE

1. Press and hold the Door Code button (Fig. 24).
2. Press the button (one of four) on the transmitter you would like to use to control the door for two seconds, pause for two seconds. Press the same button again on the transmitter for two seconds.
3. Release the Door Code button.
4. Press the transmitter button to test if it operates the door.

18.2. SETTING THE TRANSMITTER TO OPERATE THE COURTESY LIGHT

The transmitter can be programmed to operate the courtesy light on the door opener.

1. Press and hold Light Code button (Fig. 25).
2. Press the button on the transmitter you would like to use to switch on the light for two seconds, pause for two seconds. Press the same button again on the transmitter for two seconds.
3. Release all buttons to store the transmitter in memory.
4. Press the transmitter button to test if it switches on the light.

18.3. SETTING THE TRANSMITTER TO OPERATE PET (PEDESTRIAN) MODE

1. Press and hold Door Code button and the Close button (Fig. 26).
2. Press the button on the transmitter you would like to use to control pedestrian mode for two seconds, pause for two seconds. Press the same button again on the transmitter for two seconds.
3. Release all buttons to store the transmitter in memory.
4. Press the transmitter button to test if it operates the pedestrian mode.

To change the default pet (pedestrian) door opening position, refer step 24 on page 19.

18.4. SETTING THE TRANSMITTER TO OPERATE VACATION MODE

1. Press and hold Light Code button and the Close button (Fig. 26).
2. Press the button on the transmitter you would like to use to control vacation mode for two seconds, pause for two seconds. Press the same button again on the transmitter for two seconds.
3. Release all buttons to store the transmitter in memory.
4. To test, press and hold the transmitter button set for vacation mode for five seconds to set Vacation Mode.

To reset Vacation Mode press the same button for two seconds. Please note that when vacation mode is activated all stored transmitters will be locked out. This mode can only be deactivated by a transmitter which has being stored to activate this mode.

FIG. 24

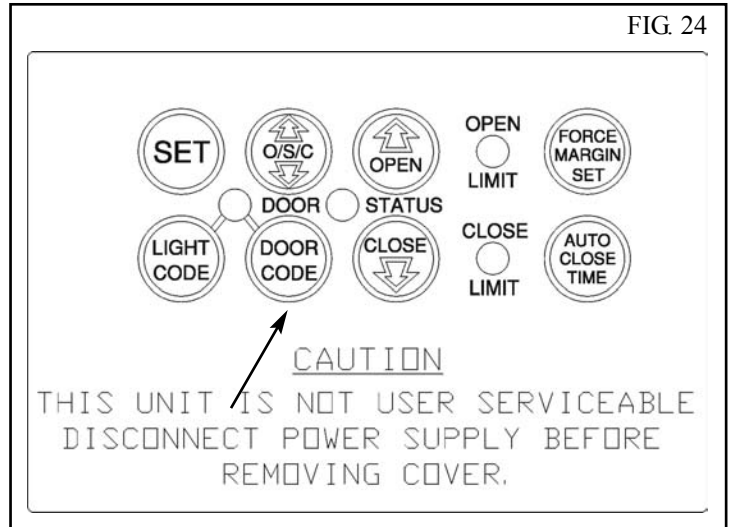


FIG. 25

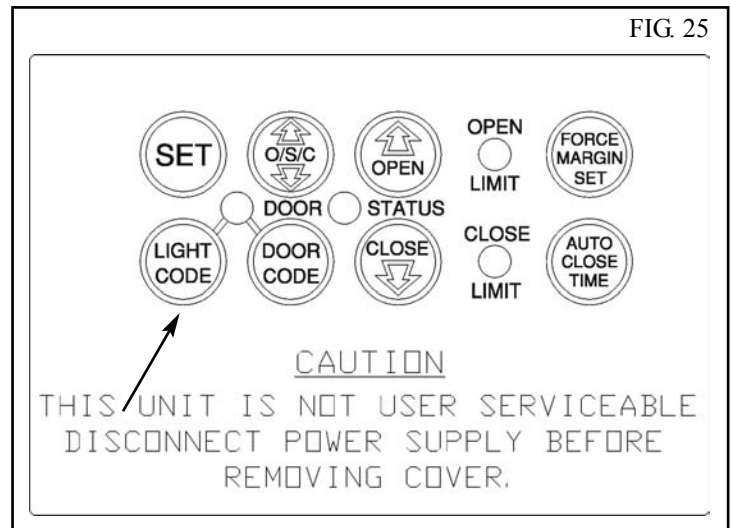
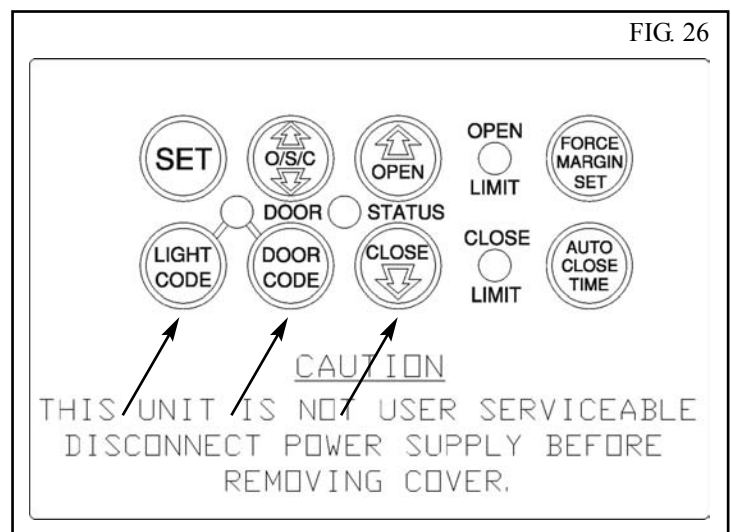


FIG. 26



CODING TRANSMITTERS

STEP 19 STORING TRANSMITTER(S) FROM A REMOTE LOCATION

Using this method you don't need to have access to the control panel on the Door Opener. However, you do need a transmitter that is pre coded to the controller's receiver.

IMPORTANT NOTE: The Door or Courtesy Light must be activated when the step below is performed. The moving Door or Light switching on is to confirm from a remote location that, the correct button was pressed, and the transmitter is in range of the Opener.

1. Take any pre-coded transmitter. Press the button for the function you require until the door is activated and release.
2. Then using a small needle press and hold firmly for two seconds through the Coding Hole (Fig. 27)
3. Within 10 seconds take the additional transmitter you wish to code.
4. Press the button (one of four) on that transmitter you would like to use to control the door for two seconds, pause for two seconds. Press the same button again on the transmitter for two seconds, the button should now be recorded.
5. Wait for 10 seconds and then press the recorded transmitter button to see if it operates the door.

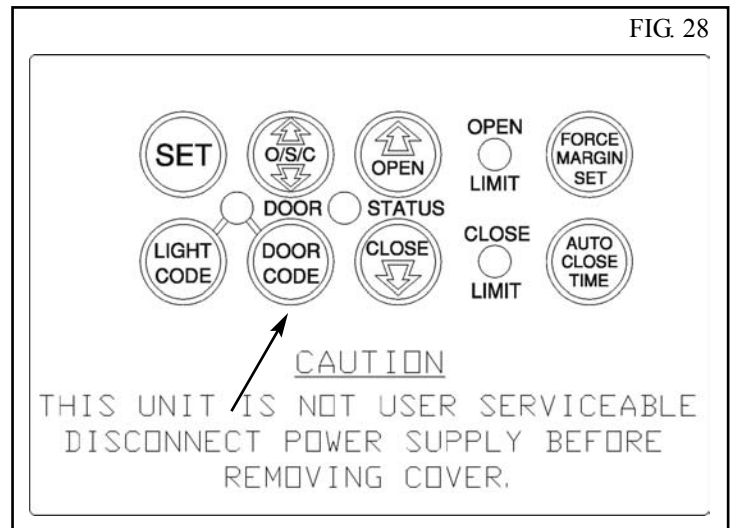
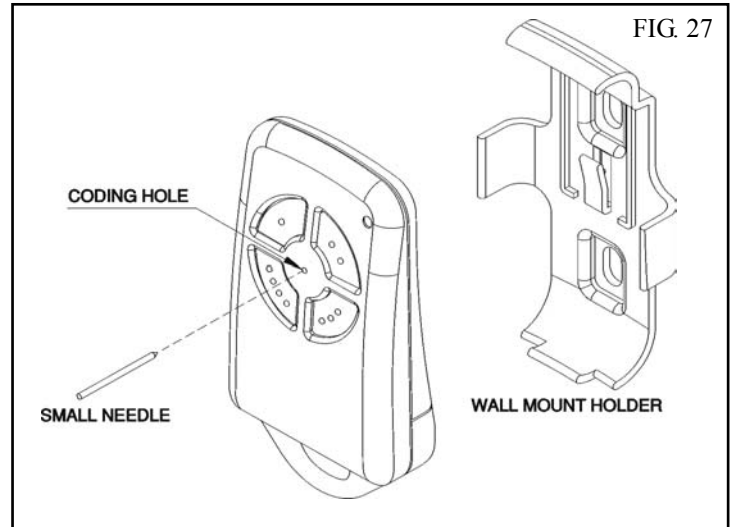
20. DELETING PROGRAMMED CODES

20.1 DELETING A STORED TRANSMITTER CODE

1. Select the transmitter you want to delete.
2. Press and hold the Door Code button (Fig. 28).
3. Press the transmitter button you would like to delete for two seconds. Pause for two seconds. Press the transmitter button again for two seconds.
4. Release the Door Code button. The code should now be deleted. Confirm this by pressing the transmitter button, the door should not respond.

20.2 DELETING ALL STORED TRANSMITTER CODES

1. Turn the Power Off to the Opener.
2. Press and hold the Door Code button (Fig. 28).
3. Turn the Power On again, while holding the Door Code button. The Open Limit, Close Limit and Door Status LED's will illuminate for about five seconds. These LED's will turn Off and the Coding LED will illuminate. Release the Door Code button. All the stored codes including the Courtesy Light codes should now be deleted. Confirm this by trying to operate the door by pressing the transmitters previously used to control the door, the door should not respond.



P.E. BEAM AND AUTO CLOSE

21. FITTING THE SAFETY PHOTO ELECTRIC BEAM SENSOR (OPTIONAL)

Locate the Photo Electric Beam (P.E.) normally closed contact type in a strategic location within doorway. We recommend 150mm above the floor level and as close as possible to the door opening, inside the garage. Remove shunt from P.E. connector (Fig. 29) and connect the plug from the P.E. wiring harness to P.E. connector (Fig. 30). The wiring diagram is for Model PHBE (Order Code 90214).

Make sure to align the beams correctly. Follow the manual supplied with the Photo Electric Beam.

WARNING; When using Auto Close Mode and P.E. beams, the doorway must be clear of all obstructions and persons at all times. The location of the beam and manner in which it is installed might not give safety protection at all times. Check to make sure that the height of the beam and type used give maximum protection possible.

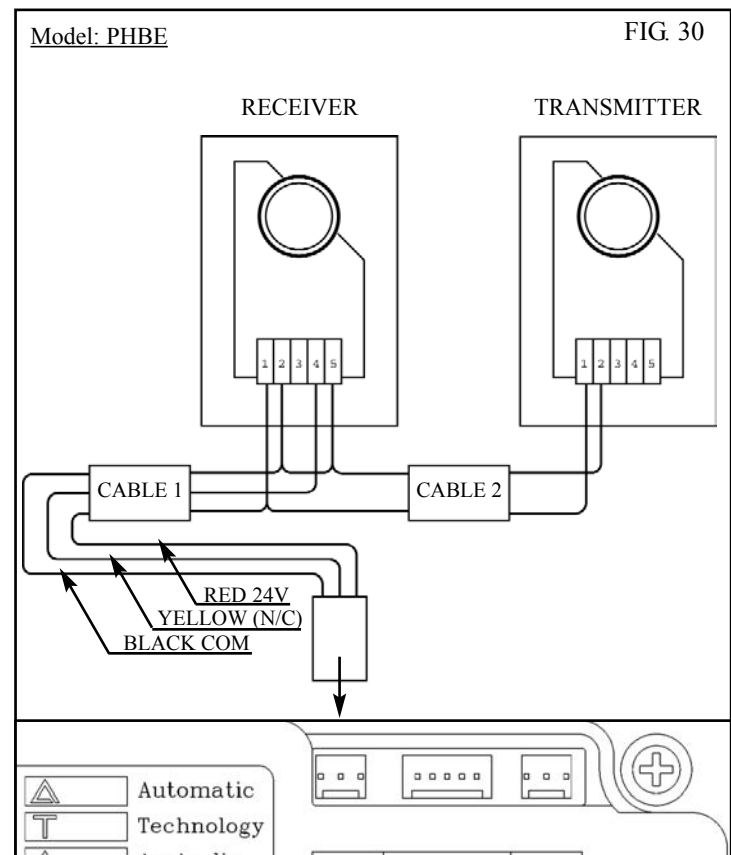
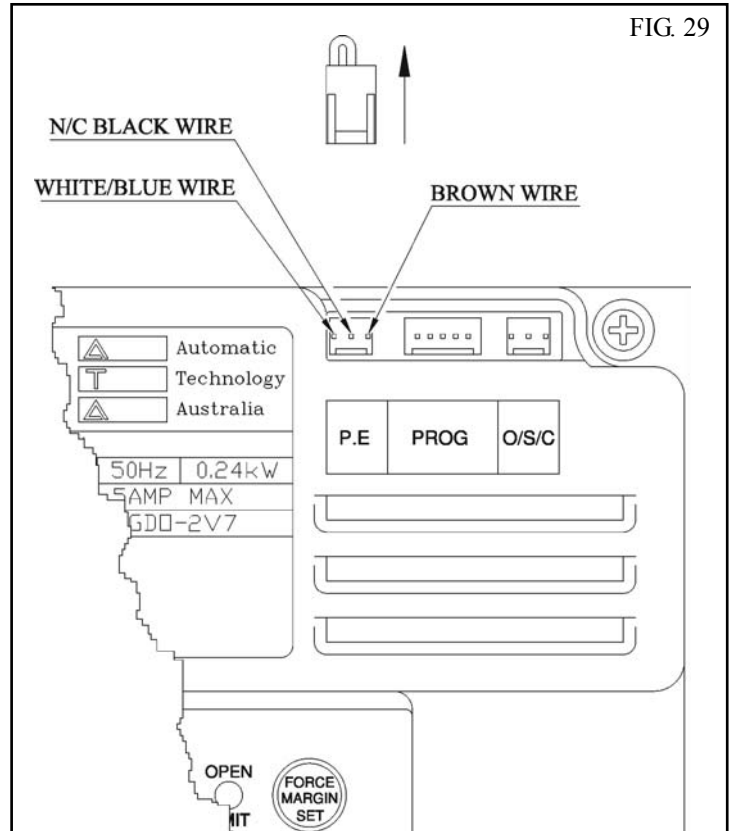
22. SETTING OF AUTO CLOSE TIME

IMPORTANT NOTICE: IT IS COMPULSORY TO INSTALL A PHOTO ELECTRIC BEAM BEFORE USING THE AUTO CLOSE MODE.

The Auto Close timer will only start after the Photo Electric Beams (P.E.) path is broken and the auto close time has been set. If the P.E. path is not broken the door will remain open till the path is broken. If the Door Opener incurs an obstruction (not from the P.E.) while closing the door will re-open and not auto close until the part of the P.E. beam is broken again.

SETTING AUTO CLOSE TIME

1. Press in and hold the Auto Close Time button (Fig. 29).
2. While holding in the Auto Close Time button, press the Open button (Fig. 29). Each press of this button will add one second to the auto close delay time.
3. To decrease the delay time follow Step 1 and press the Close button. Each press will deduct one second from the auto close time.
4. Press the O/S/C button (Fig. 29) or transmitter to open the door. When the door is fully opened the Open Limit green LED will flash to indicate that the auto close mode is in operation. Break the path of the P.E. Beam momentarily, this will initialise the auto close mode. When the door reaches the fully opened position, the door will pause for the set auto close time and start to auto close.

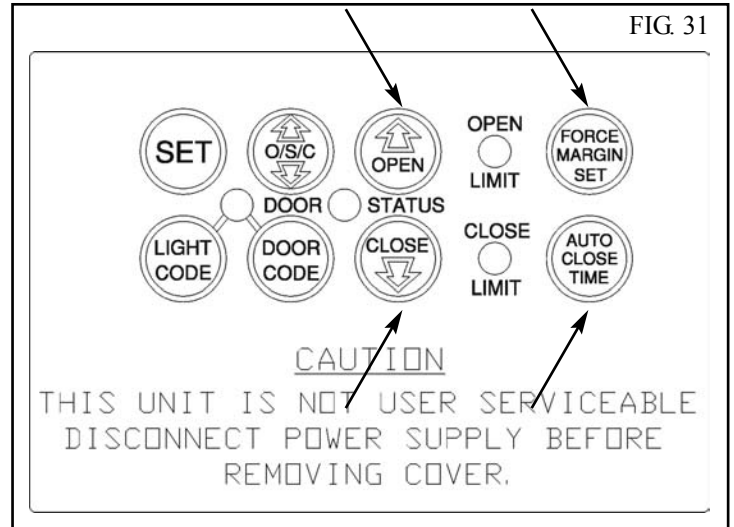


FINAL SET UP

23. SETTING OF COURTESY LIGHT TIME

The preset courtesy light time on the door opener is 3 minutes. This time can be changed by the following:

1. Press in and hold both the Auto Close Time button and Force Margin Set button (**Fig. 31**).
2. While holding in the two buttons, press the Open button (**Fig. 31**). Each press of the button will add 10 seconds to the light time.
3. To decrease the time follow Step 1 and press the Close button (**Fig. 31**). Each press will deduct 10 seconds from the light time.
4. To recall the factory set default light time press in and hold together the Auto Close Time button, the Force Margin Set button and the Set button for about 2 seconds. Release all buttons, the factory set default of 3 minutes will be recalled.

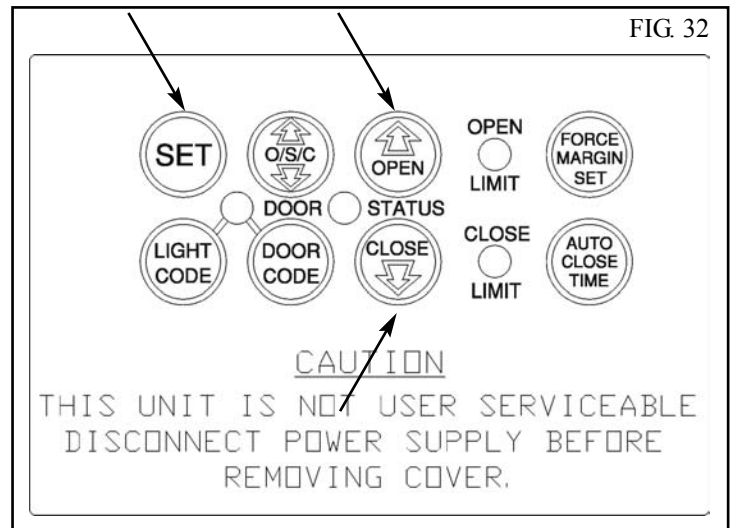


24. SETTING THE PET MODE DOOR OPENING POSITION.

The default PET (Pedestrian) position is factory preset to a predetermined height. The PET mode status is indicated by both the Open and Close Limit LED's being illuminated. The default position can be changed by the following:

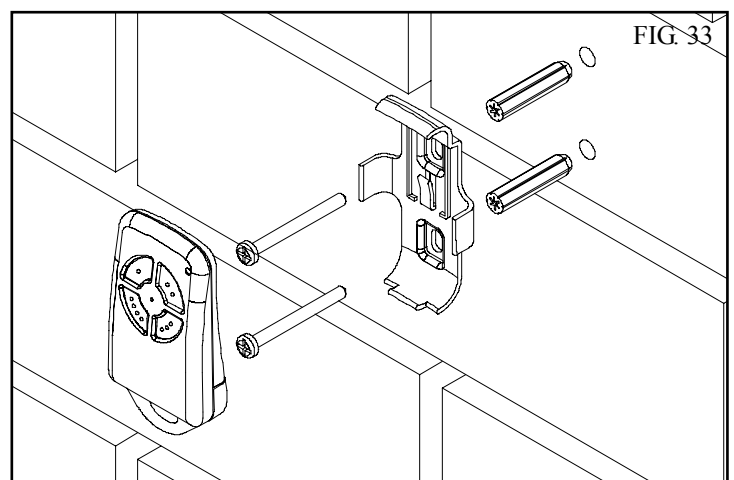
1. Make sure the door is in the closed position. Press and hold the Open button for six (6) seconds (**Fig. 32**), you should hear three beeps and the Open and Close LEDs will flash rapidly.
2. Press the Open and Close buttons (**Fig. 32**) to move the door to your required new pet open door position.
3. Press the Set button (**Fig. 32**) to record the new position.

The Pet mode is activated from a transmitter button coded to that function. When activated the door drives to the preset position from either above or below. If the Pet button is pressed while the door is moving the door will be stopped. If the Pet button is pressed when the door is in the Pet position, then the door will be closed. No auto close is enabled.



25. INSTALLATION OF WALL MOUNTED TRANSMITTER HOLDER

1. Mount the holder in a location out of reach of children and convenient to the customer. (**Fig 33**). Make sure the door is visible from this location.
2. The transmitter can be easily clipped in and removed from the holder as required.
3. To set the transmitter codes refer to Step 18 on Page 16.



26. RE-INITIALISING THE OPENER

To re-initialise the opener press and hold the Set Button for two (2) seconds, the beeper will sound once. The door will start to move and re-calculate force margins. The door can move between the open and close limit positions up to four (4) times (depending on the position of the door and the power up condition). A single beep will be heard once the initialisation is complete. The door is now ready for use.

27. RESET ALL FACTORY DEFAULTS

1. Turn power off.
2. Press and hold Set button.
3. Turn power on and continue holding Set until all LEDs are off.

PARAMETERS

DOOR STATUS INDICATORS

DOOR OPENER STATE	OPEN LED GREEN	CLOSE LED RED	DOOR STATUS LED YELLOW	BEEPER
OPEN	ON			
CLOSE		ON		
OPENING	FLASHING			
CLOSING		FLASHING		
DOOR TRAVEL STOPPED	FLASHING	FLASHING		
DOOR OBSTRUCTED WHEN OPENING	FLASHING			
DOOR OBSTRUCTED WHEN CLOSING		FLASHING		BEEPS WHILE DOOR IS MOVING
DOOR OVERLOADED	ALTERNATING FLASHES	ALTERNATING FLASHES		
DOOR IN OPEN POSITION WITH AUTO CLOSE MODE SELECTED	ONE SECOND FLASHES			
MAINS POWER INTERRUPTED	RAPID FLASHES			

BUTTONS	FUNCTION
O/S/C	Opens/Stops/Closes the door
Door Code	Codes a transmitter button for O/S/C function
Light Code	Codes a transmitter button for light function
Door Code + Close	Codes a transmitter button for pet (pedestrian) function
Light Code + Close	Codes a transmitter button for vacation function
Force Margin Set + Open	Increases the obstruction force margin setting
Force Margin Set + Close	Decreases the obstruction force margin setting
Force Margin Set (then) Set	Reloads the factory set default obstruction force margin setting
Auto Close Time (then) Open	Increases the auto close delay time
Auto Close Time (then) Close	Decreases the auto close delay time
Auto Close Time (then) Set	Reloads the factory set default auto close delay time
Force Margin Set + Auto Close Time (then) Open	Each press of the open button increases the light time by 10 secs.
Force Margin Set + Auto Close Time (then) Close	Each press of the open button decreases the light time by 10 secs.
Force Margin Set + Auto Close Time (then) Set	Reloads the factory set default light time
Set (for 2 Secs.)	Clears the door limits set positions. Limits then need to be reset.
Set + Close (for 2 Secs.)	Enters pet (pedestrian) position mode.
Set (then power on) & hold until all LEDs are off	Deletes control parameters excluding transmitter storage memory.
Door Code (then power on) & hold until all LEDs are off	Deletes all transmitter storage memory.
Set + Door Code (then power on) & hold until all LEDs are off	Deletes all control parameters and transmitter storage memory.

DEFAULT SETTINGS AND SPECIFICATIONS

FACTORY DEFAULT SETTINGS

	DEFAULT	STEP	MAXIMUM
MAXIMUM MOTOR RUN TIME	30 Secs.	—	—
COURTESY LIGHT TIME	3 Mins.	10 Secs.	10 Mins.
OBSTRUCTION FORCE MARGIN	2	1	13
AUTO CLOSE TIME	0 Secs.	5 Secs.	4 Mins.

TECHNICAL SPECIFICATIONS

INPUT VOLTAGE:	230V - 240V AC 50Hz
MOTOR TYPE:	1/3 H.P. (AC) Alternating Current
MOTOR VOLTAGE:	230V - 240V AC
MAXIMUM DOOR OPENING:^{1,2}	WIDTH: 5100mm
	HEIGHT: 2400mm
	WEIGHT: 100Kg
OPENER MAXIMUM RUN TIME:	30 Secs.
MAXIMUM LIFTING FORCE:	200N (20Kg)
RECEIVER TYPE:	UHF 433.92 MHz. AM Receiver
RECEIVER CODE STORAGE CAPACITY:	23 x 4 Button Transmitter Codes
TRANSMITTER FREQUENCY:	433.92 MHz
CODING TYPE:	Hopping Code
No. of CODE COMBINATIONS:	Over 4.29 Billion Random Codes
CODE GENERATION:	Non-linear Encryption Algorithm
PTX-4 TRANSMITTER BATTERY:	A23 Alkaline 12 Volts
EAT-1 TRANSMITTER BATTERY:	CR1220 Lithium 3 Volts
GLOBE:	Edison (screw mount) 240V 60W Rough Service (or construction type)

Note:

1. The maximum door opening on which the SecuraLift® can be installed is 5100mm wide by 2400mm high. The door must be well balanced. A person should be able to lift the door up manually with very little effort in case of an emergency.
2. Intermittent operations may occur in areas which experience very strong winds. The strong wind puts extra pressure on the door and tracks which may in turn trigger the safety obstruction detection system intermittently.

TROUBLE SHOOTING

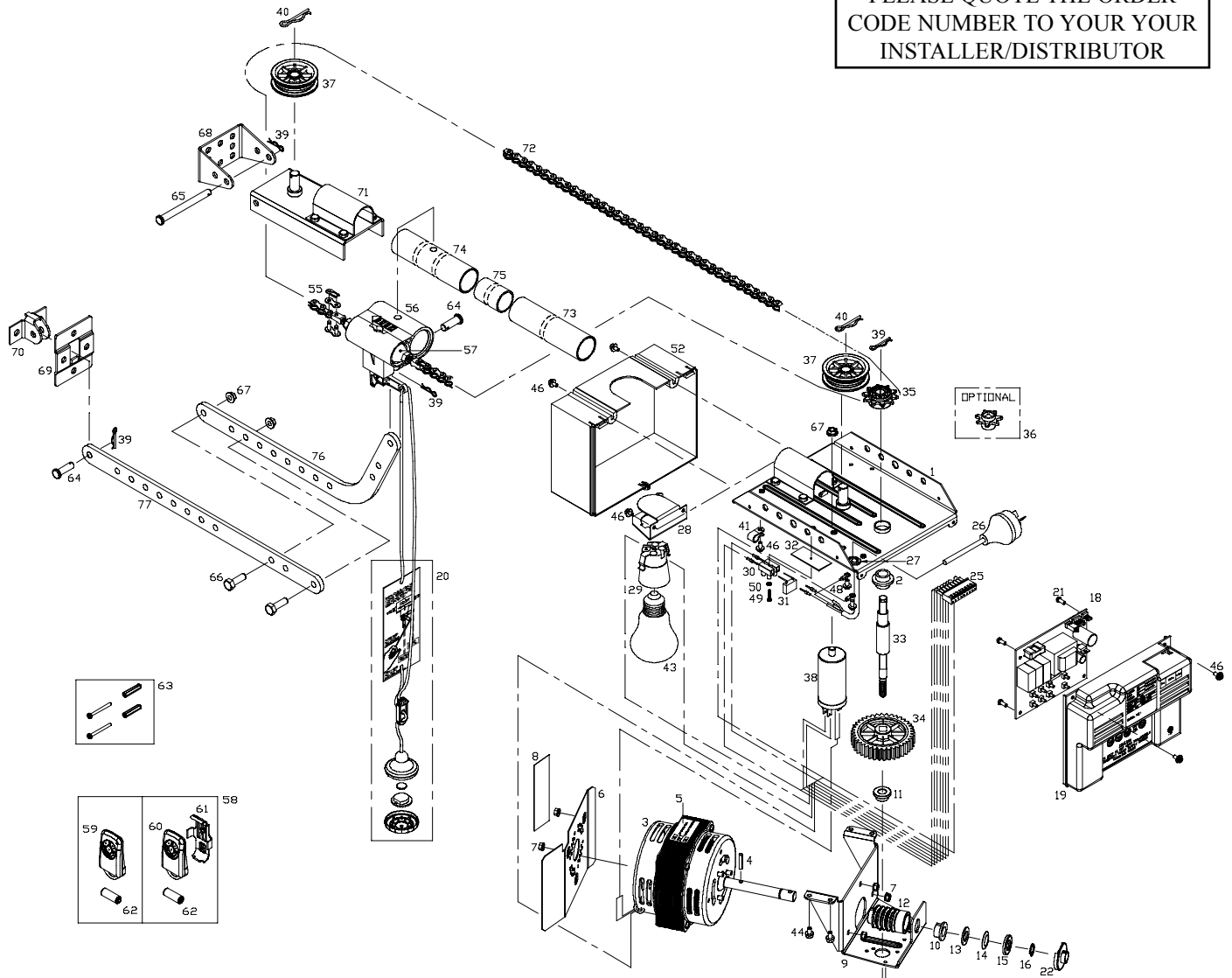
SYMPTOM	POSSIBLE CAUSE	REMEDY
Door will not operate.	Mains power not switched on. Door is obstructed. Door is locked or motor jammed. Door tracks/hardware damaged.	Switch on mains power. Remove obstruction. Unlock door or remove jam. Door requires service/repair by qualified technician.
Door starts to close but automatically reverses to open position.	Adverse weather conditions (wind or cold) causing door to stiffen and become tight in the tracks. Possible obstruction in the doorway.	Increase force margin setting and/or re-initialise the door. See Step 17 on page 15. Remove obstruction.
Door operates from drive unit (O/S/C) button but not from transmitter.* See note.	Transmitter code not stored in memory. Flat Battery. Broken battery lead inside transmitter.	Code transmitter in to openers memory. Refer Step 18.1 on page 16. Replace battery - A23 Alkaline 12V. Send transmitter to installer or ATA for repair.
Door will not close fully.	Door limits positions need to be reset.	Reset limits positions. Step 15.2 Page 13.
Door will not open fully.	Door limits positions need to be reset.	Reset limits positions. Step 15.2 Page 13.
Courtesy light not working.	Globe blown.	Replace globe - Edison Type 240V 60W.
Globe keeps blowing.	Incorrect globe voltage - must be 24V DC.	Replace globe - Edison Type 240V 60W.
Auto close not working.	PE Beam or wiring faulty PE Beam not aligned correctly. PE Beam is obstructed. Door obstructed when closing. Auto close time not set. Auto close mode not set.	Repair PE Beam or replace wiring. Re-align optics. Remove obstruction from the path of PE. Remove obstruction. See Step 22 on page 18. See Step 22 on page 18.

***Please Note:** Some areas may be prone to excessive radio interference brought on by devices such as cordless telephones, wireless stereo headphones and baby monitors. It is possible that these devices could cause a degree of interference such as to greatly reduce the range of the transmitter. In such an instance please contact your ATA dealer for an alternative frequency replacement kit. As this is not a warrantable situation but an environmental issue charges may apply for the changeover.

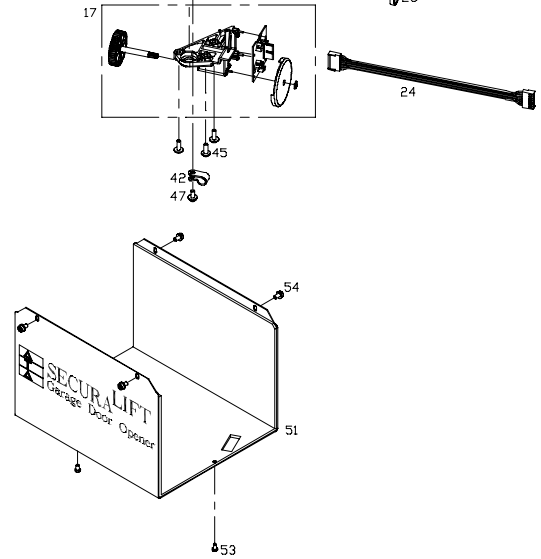
DATE	MAINTENANCE PERFORMED BY	SIGNATURE	AMOUNT	INV. No.

SPARE PARTS LIST

WHEN ORDERING SPARE PARTS
PLEASE QUOTE THE ORDER
CODE NUMBER TO YOUR YOUR
INSTALLER/DISTRIBUTOR



45	PAN SERRATION HEAD SCREW M4x12	10380	77	STRAIGHT ARM	02790
44	PAN HEAD SCREW W/WASHER M5x10	10281	76	BENT ARM	02800
43	GLOBE 250V 60W	14120	75	TUBE - INSERT 2970	13830
42	CABLE CLAMP ACC-2.5 (3/16")	11760	74	INDEX TUBE 338605	13811
41	CABLE CLAMP ACC-1.5 (3/16")	11750	73	TUBE 338605	13801
40	SNAP PIN SSP 12 ZNU 31120	10730	72	CHAIN 1/2"x1/8" (499 LINKS) W/2 CL	03000
39	SNAP PIN SSP 8 ZNU 31080	10720	71	SUPPORT PIPE CX ASSEMBLY	00292
38	CAPACITOR MOTOR 15.0UF 440VAC 3K Hr	14402	70	DOOR BRACKET LOCATOR	02515
37	CHAIN IDLE WHEEL	02962	69	DOOR BRACKET	02511
36	SPROCKET 71 SQ	04680	68	WALL BRACKET	02521
35	SPROCKET 10TP	04695	67	HEX SERRATION FLANGE NUT M8	10148
34	HELICAL GEAR 34209	04941	66	HEX HEAD SCREW M8x25	10110
33	DRIVE SHAFT 0-G	04542	65	PIN	05790
32	TERMINAL BLOCK SHIELD	14055	64	CLEVIS PIN DIAMETER 8	02550
31	CAP POLYFILM 0.1UF K X2 275VAC	07575	63	PLASTIC WALL PLUG PACK	01479
30	TERMINAL BLOCK 500/02DS 2 POS	05421	62	ALKALINE BATTERY A23 12V	13030
29	LAMP HOLDER ZE 204	14270	61	PTX HOLDER	05196
28	LIGHT BRACKET	13870	60	TRANSMITTER RED BUTTONS PTX-4	01211
27	CORD GRIP GRDMMET SBR5-2	05605	59	TRANSMITTER GREY BUTTONS PTX-4	01210
26	POWER CORD 1.5M W2PIN+1 RING	14150	58	SECURACODE PTX-4 & WALLSWITCH PACK	01220
25	HARNES ASSY CB-8V2	14440	57	CHAIN INDEX CX ASSEMBLY	01452
24	0-G 301 HARNES ASSY	01795	56	SHUTTLE ASSEMBLY	00273
23	CHOPPER CLIP	04960	55	CHAIN JOINT LINK	02950
22	QUAD WHEEL	02452	54	PAN HEAD SCREW W/WASHER M4x8	10320
21	TAPTITE SCREW "P" M4x8	10580	53	TAPTITE SCREW "P" BLACK M3.5x6	10542
20	EASY ACCESS TRANSMITTER PACK GDD-2	01236	52	LIGHT DIFFUSER	13900
19	BOARD HOUSING S-AY V7	01585	51	COVER	13742
18	CONTROL BOARD CB-8 V-7.02	00760	50	INTERNAL TOOTH LOCK WASHER I.D. 3	11150
17	QUAD-GRAY 202 ASSY	01734	49	PAN HEAD SCREW M3x14	10360
16	F CIRCLIP D1500 0100	10798	48	PAN HEAD SCREW W/WASHER M4x8	10320
15	CUP WASHER W/KEY	11163	47	TAPTITE SCREW "S" W/WASHER M4x8	10499
14	WAVE SPRING WASHER	12380	46	PAN HEAD SCREW W/WASHER M4x10	10340
13	THRUST WASHER NTA-815 W	14300			
12	WDRM 2520 2S	04931			
11	BUSH ID 10x10	04290			
10	BUSH ID 127 17	04270			
9	MOTOR BRACKET V7	13774			
8	LABEL 240V 60 WATT GDD-2	13630			
7	HEX NUT W/INT TOOTH WASHER M5	10881			
6	COVER PROTECTION	13790			
5	LABEL THERMALLY PROTECTED	13620			
4	SEL-LOCK PIN SPRING ACP M4x20	02590			
3	AC MOTOR M0 0.24kW	14422			
2	BUSH ID 127ID 18	04261			
1	BASE PLATE CX ASSEMBLY V2	02151			



WARRANTY AND EXCLUSION OF LIABILITY

1. This warranty is an addition to any non-excludable conditions or warranties that are implied into this contract by relevant statute, including the Trade Practices Act 1974 (Cth).
2. Subject to all of the matters set out below, Automatic Technology Australia Pty Ltd ("ATA") warrants:
 - (a) swing and sliding gate opener drive units for twelve (12) months or 2500 cycles, whichever occurs first;
 - (b) roll-up and overhead door opener drive units for twenty four (24) months or 5000 cycles, whichever occurs first; and
 - (c) all components and accessories for twelve (12) months, from the date of purchase (specified in the sales docket receipt) as free of any defects in material and workmanship.
3. This warranty applies only where the purchaser:
 - (a) immediately notifies ATA or the retailer of the alleged defect;
 - (b) returns the product to the retailer; and
 - (c) presents the relevant sales docket and this warranty document to the retailer to confirm the date of purchase.
4. Except for this warranty, ATA gives no warranties of any kind whatsoever (whether express or implied), in relation to the product, and all warranties of whatsoever kind relating to the product are, to the extent permissible by statute, hereby excluded.
5. To the extent permissible by statute, ATA disclaims any liability of whatsoever nature in respect of any claim or demand for loss or damage which arises out of:
 - a) accidental damage to or normal wear and tear to the product or to the product's components;
 - b) any cost relating to damage resulting from wear and tear;
 - c) blown fuses, loss or damage caused by electrical surges, power surges or power spikes;
 - d) loss or damage due to theft, fire, flood, rain, water, lightning, storms or any other acts of God;
 - e) maximum continuous operating time exceeding one (1) minute in ten (10);
 - f) maximum operating force exceeding 15Kg (150N) when moving the door or gate manually to the open or closed position;
 - g) door surface area and/or weight exceeding 15m² and 100Kg respectively;
 - h) residential gate weight exceeding 400Kg;
 - i) door or gate not in safe and correct working order and condition;
 - j) evidence of unauthorised repairs;
 - k) any cost relating to damage caused by misuse, negligence or failure to maintain the equipment in a proper working order as per clauses (d) through (i);
 - l) installation, adjustment or use which is not in accordance with the instructions set out in installation instruction manual;
 - m) attempted or complete modification or repairs to the product carried out by a person who is not authorised or has not been trained by ATA to carry out such modification or repairs;
 - n) faulty or unsuitable wiring of structure to which the product is fixed or connected;
 - o) radio (including citizen band transmission) or any electrical interference;
 - p) damage caused by insects;
 - q) loss or damage to any property whatsoever or any loss or expense whatsoever resulting or arising there from or any consequential loss;
 - r) any cost or expense arising due to manufacturer recall of any product;
 - s) any cost or expense due to negligence of the approved service provider;
 - t) installation of a residential garage door or gate opener in a commercial or industrial situation or a non-single residential dwelling.
6. ATA's liability under this warranty is limited, at ATA's absolute option, to replacing or repairing the product which ATA, in its unfettered opinion, considers to be defective either in material and/or workmanship or to credit the dealer with the price at which the product was purchased by the dealer.
7. This warranty does not extend to cover labour for installation.
8. This warranty is limited to Return-to-Base (RTB) repair and does not cover labour for on-site attendance.
9. This warranty is void if the Product is not returned to the manufacturer in original or suitably secure packaging.
10. This warranty is only applicable for repairs to the product carried out within Australia.
11. This warranty does not cover consumable items including globes, batteries and fuses.
12. This warranty is not transferable.
13. Where the Product is retailed by any person other than ATA, except for the warranty set out above, such person has no authority from ATA to give any warranty or guarantee on ATA's behalf in addition to the warranty set out above.

Notes:

1. One (1) cycle = one (1) open and one (1) close action of the door or gate.
2. This warranty is to be read in conjunction with the owner's copy of the installation instruction manual.

AUTOMATIC TECHNOLOGY AUSTRALIA PTY LTD

ABN 11 007 125 368

17-19 Advantage Rd, Highett, Victoria, Australia 3190

Tel: +61 3 9532 2788 Fax: +61 3 9532 2799

Web: www.ata-aust.com.au Email: sales@ata-aust.com.au