

REMOTE PRO

PROGRAMMING INSTRUCTIONS

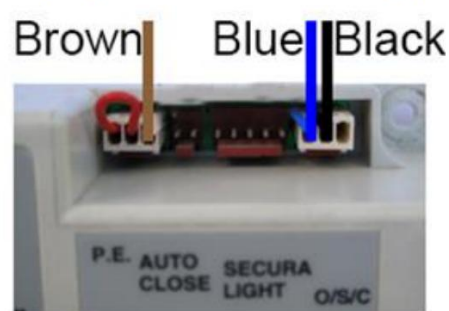


ATA N1854 RECEIVER

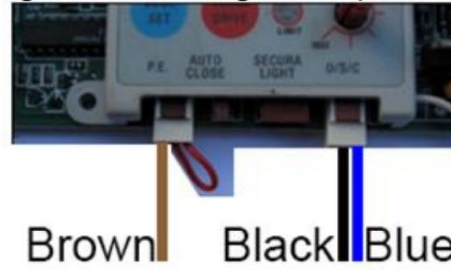
INSTALLING YOUR NEW ATA N1854 UPGRADE KIT RECEIVER TO ATA GDO MOTORS

- 1. TURN OFF POWER AND UNPLUG THE POWER POINT OF THE MOTOR – DO NOT PROCEED UNLESS THIS STEP IS COMPLETE.**
2. Remove the existing plugs from the motor ports P.E. and O/S/C (if your motor does not have plugs in these plugs, you can skip this step).
3. Plug in the receiver plug that has the brown and orange cable into the P.E. port of the motor (as shown in the images below).
4. Plug in the receiver plug that has the blue and black cables into the O/S/C port of the motor (as shown in the images below).
5. Ensure all cables are secured and are not loose and the receiver unit is not placed next to any light bulbs or heat sources. Plug back in the power to the motor and switch it on.
6. The remotes have been pre-programmed to button number 1. Press 1 to test the door.

↓Overhead Motors (this image is the top right corner of the motor)↓



↓Roller Door Motors (this image is under the light cover)↓



WARNING

This product may contain a coin/button cell battery. Keep product and batteries away from children. A battery can cause severe or fatal injuries in 2 hours or less if swallowed or placed inside any part of the body. Seek immediate medical attention if it is suspected that a coin/button cell battery has been swallowed or placed inside of any part of the body.



REMOTE PRO

PROGRAMMING INSTRUCTIONS



PROGRAMMING NEW REMOTES INTO YOUR RECEIVER

Please note: Your original remotes will continue to work, and the new remote have already been programmed

1. Press and immediately release the learn 1 button inside the receiver.
2. Press and hold any button on your new remote until the LED flashes on the receiver begins to flash.
3. The remote is now coded, please test the remote to ensure it can operate the motor.
4. If you have more than one new remote, please repeat steps 1-3.



WARNING

This product may contain a coin/button cell battery. Keep product and batteries away from children. A battery can cause severe or fatal injuries in 2 hours or less if swallowed or placed inside any part of the body. Seek immediate medical attention if it is suspected that a coin/button cell battery has been swallowed or placed inside of any part of the body.

