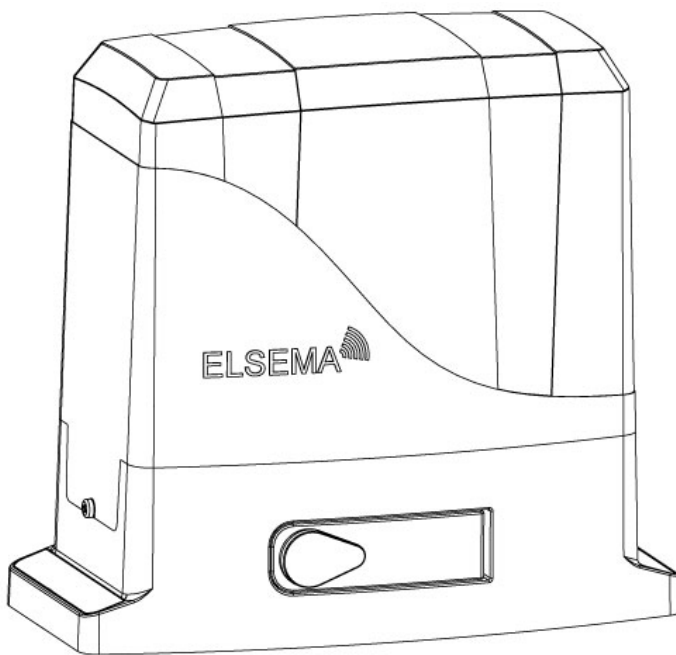


ELSEMA INTELLIGENT SLIDER®

iS600 / iS900 AXIOM Series SLIDING GATE OPENER

USER MANUAL



Includes
3 Keyring
Remotes



Reuse
Reduce
Recycle



INDEX

| | | |
|-----|---|------|
| 1.1 | GENERAL SAFETY PRECAUTION | P.1 |
| 1.2 | KIT CONTENTS | P.2 |
| 1.3 | DIMENSION | P.3 |
| 1.4 | TECHNICAL FEATURES | P.4 |
| 1.5 | INSTALLATION | |
| | A. INSTALLATION CHECK..... | P.4 |
| | B. INSTALLATION ON NEW FOUNDATION..... | P.5 |
| | C. INSTALLATION ON EXISTING FOUNDATION..... | P.6 |
| | D. OPERATOR MOUNTING..... | P.6 |
| | E. GEAR RACK INSTALLATION..... | P.7 |
| | F. CHECK GEAR RACK INSTALLATION..... | P.7 |
| | G. LIMIT SWITCH ADJUSTMENT | P.8 |
| | H. MANUAL RELEASE | P.9 |
| | I. ELECTRICAL CONNECTION..... | P.9 |
| 1.6 | MAINTENANCE | P.10 |

1.1 GENERAL PRECAUTION

WARNING:

This user manual is only for qualified technicians who are specialized in installations and automations.

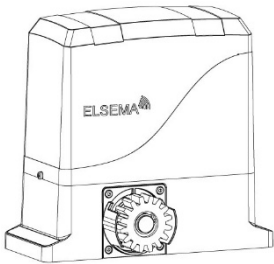
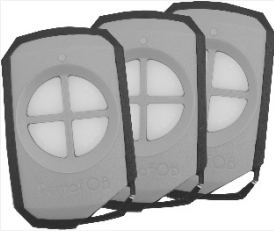
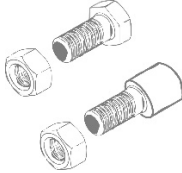
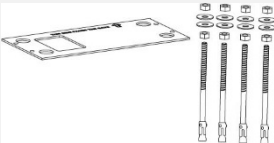

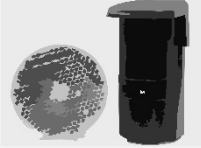

- 1) All installations, electrical connections, adjustments and testing must be performed only after reading and understanding of all instructions carefully.
- 2) Before carrying out any installation or maintenance operation, disconnect the electrical power supply by turning off the mains switch connected upstream and apply the hazard area notice required by applicable regulations.
- 3) Make sure the existing structure is up to standard in terms of strength and stability.
- 4) When necessary, connect the motorized gate to reliable earth system during electricity connection phase.
- 5) Installation requires qualified personnel with mechanical and electrical skills.
- 6) Keep the automatic controls (remote, push buttons, key selectors.etc) placed properly and way from children.
- 7) For replace or repair of motorized system, only original parts must be used. Any damage caused by incorrect parts and methods cannot be claimed on motor manufacturer.
- 8) Never operate the drive if you suspect that it might be faulty or will cause damage to the system.
- 9) The motors are exclusively designed for gate opening and closing application, any other usage is deem inappropriate. The manufacturer will not be liable for any damage resulting from the improper use. Improper usage should void all warranty, and the user accepts sole responsibility for any risks thereby may accrue.
- 10) The system may be operated in proper working order. Always follow the standard procedures by following the instructions in this installation and operating manual.
- 11) Only operate the remote when you have the full view of the gate.

ELSEMA PTY LTD shall not be liable for any injury, damage, or any claim to any person or property which may result from improper use or installation of this system.

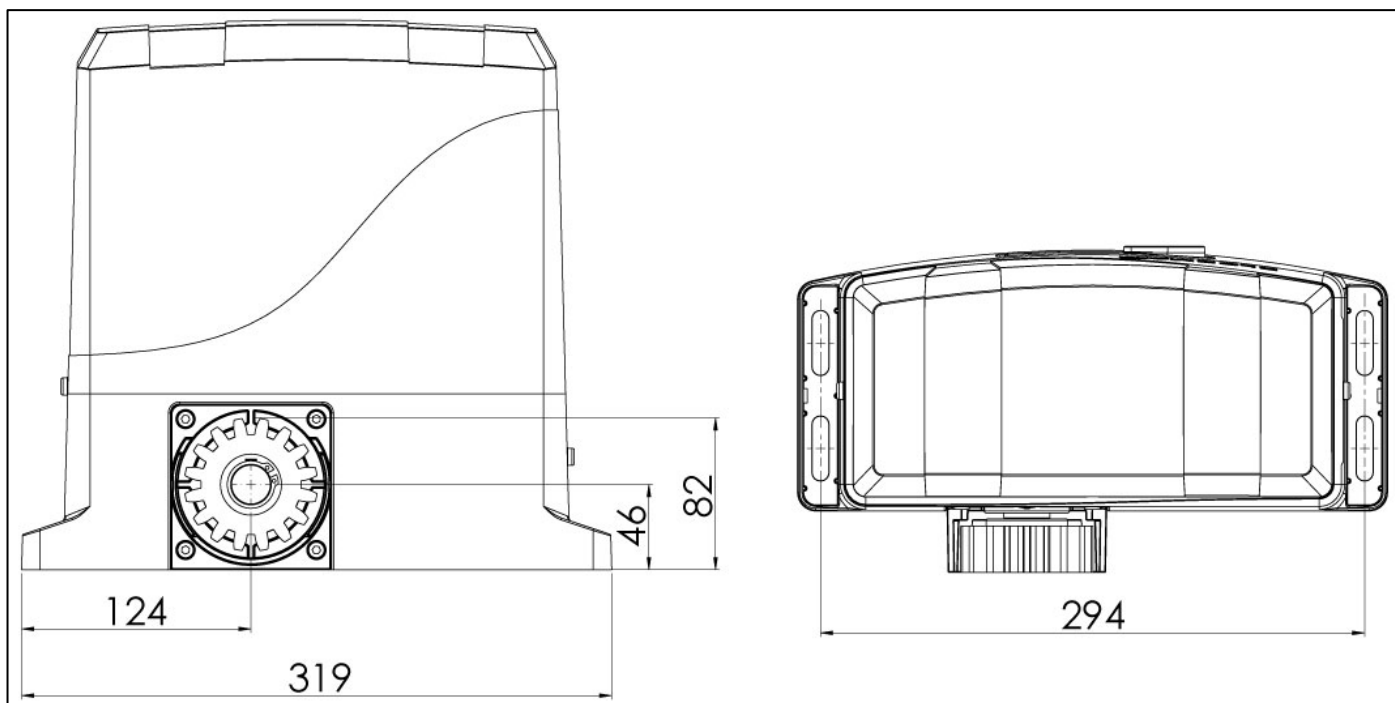
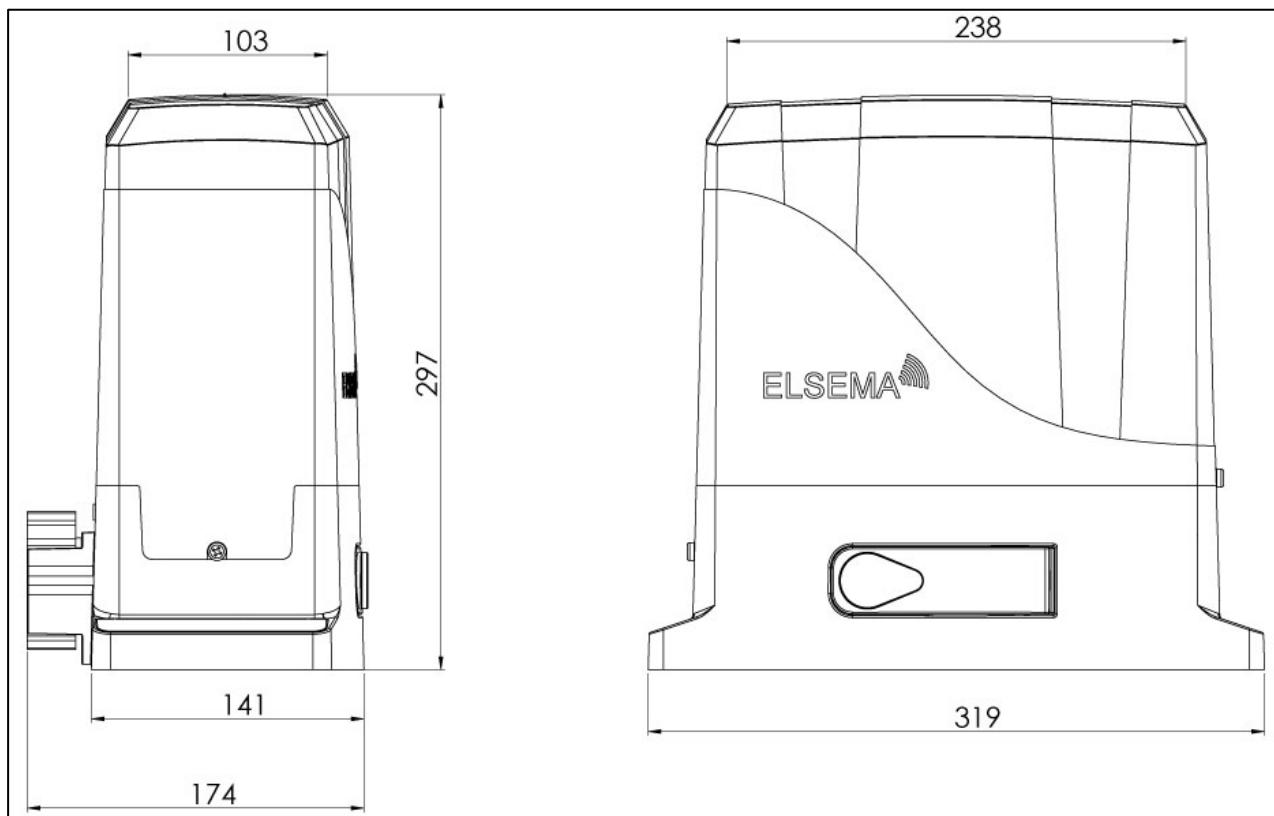
Please keep this installation manual for future reference.

1.2 Kit Contents

| iS600 / iS900 Kit | |
|-----------------------------|--|
| 1 | Sliding gate motor |
| 2 | 3 x PentaFOB remotes |
| 3 | Fastener pack |
| 4 | Motor base plate |
| 5 | 4 x Gear rack kit with mounting screws |
| 6 | Long range photo electric beam |
| 7 | Warning label |
| iS900B Kit (Battery Backup) | |
| 1 | Sliding gate motor with Lithium Battery |
| 2 | 3 x PentaFOB remotes |
| 3 | Fastener pack |
| 4 | Motor base plate |
| 5 | 4 x Gear rack kit with mounting screws |
| 6 | Long range photo electric beam |
| 7 | Warning label |
| | Lithium battery for backup |
| iS900 Solar Kit | |
| 1 | Sliding gate motor with Solar controller |
| 2 | 3 x PentaFOB remotes |
| 3 | Fastener pack |
| 4 | Motor base plate |
| 5 | 4 x Gear rack kit with mounting screws |
| 6 | Long range photo electric beam |
| 7 | Warning label |
| | Deep cycle battery for backup |
| | Solar24 Solar kit |

| | | |
|---|---|--|
| 1 |  | Sliding gate motor |
| 2 |  | 3 x PentaFOB Remotes |
| 3 |  | Fastener Pack |
| 4 |  | Motor base plate |
| 5 |  | Gear rack kit GR-4 |
| 6 |  | Long range reflector type photo electric beam. PE-1500 |
| 7 |  | Warning Label |

1.3 Dimensions





1.4 TECHNICAL FEATURES:

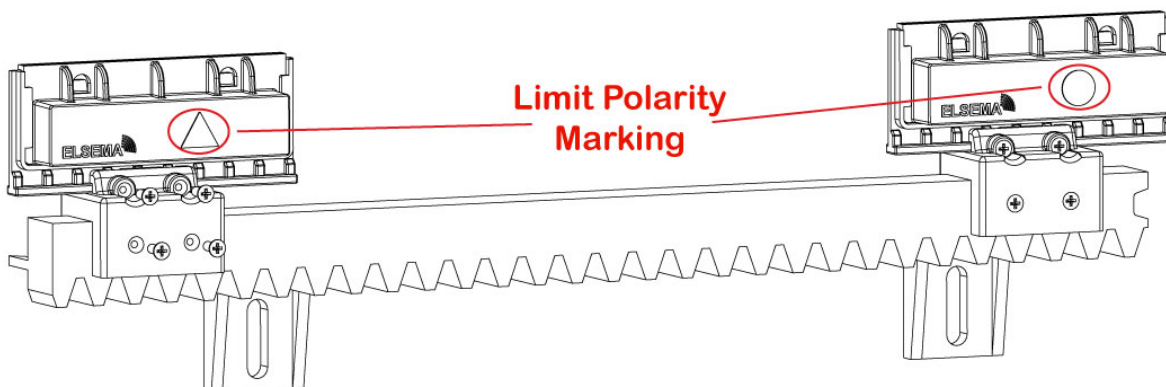
| | iS600 | iS900 |
|-----------------------|-----------------------------|-----------------------------|
| Motor Voltage | 24Volts DC motor | 24Volts DC motor |
| Max Absorbed Power | 80 Watts | 120 Watts |
| Nominal Thrust | 220N | 330N |
| Power Supply | 240 Volts AC | 240 Volts AC |
| Nominal Input Current | 2 Amps | 3 Amps |
| Motor Speed | 15 m/min | 15 m/min |
| Maximum Gate Weight | 600 kg | 900 kg |
| Duty Cycle | 60% over 12 min | 60% over 12 min |
| Operating Temperature | -20°c - +50°c | -20°c - +50°c |
| Gate Weight | Up to 600Kg on level ground | Up to 900Kg on level ground |

1.5 Installation

A. CHECKS BEFORE INSTALLATION

Before proceeding with the installation check the following:

1. The structure of the gate should be suitable for automation.
2. The gate should be supported by upper guides.
3. Mechanical end stoppers must be provided to prevent the gate from running off the track.
4. The foundation should be strong enough to support the operator.
5. There are no cables or pipes in the path of the operator and the gate.
6. Be sure that gate moves freely.
7. There are no obstacles in the moving gate area.
8. The operator is not in a position where it can be easily or accidently damaged by passing vehicles.
9. The 2 x limit magnets should have different marking on them. One should have a  and the other should have a . You cannot use the limit magnets if they have the same marking. The magnets can be installed on either side (open or close). Please see the diagram below to locate the marking on the magnets.



B. INSTALLATION WITH CONCRETE

Assemble the base plate bracket as shown in fig 1.

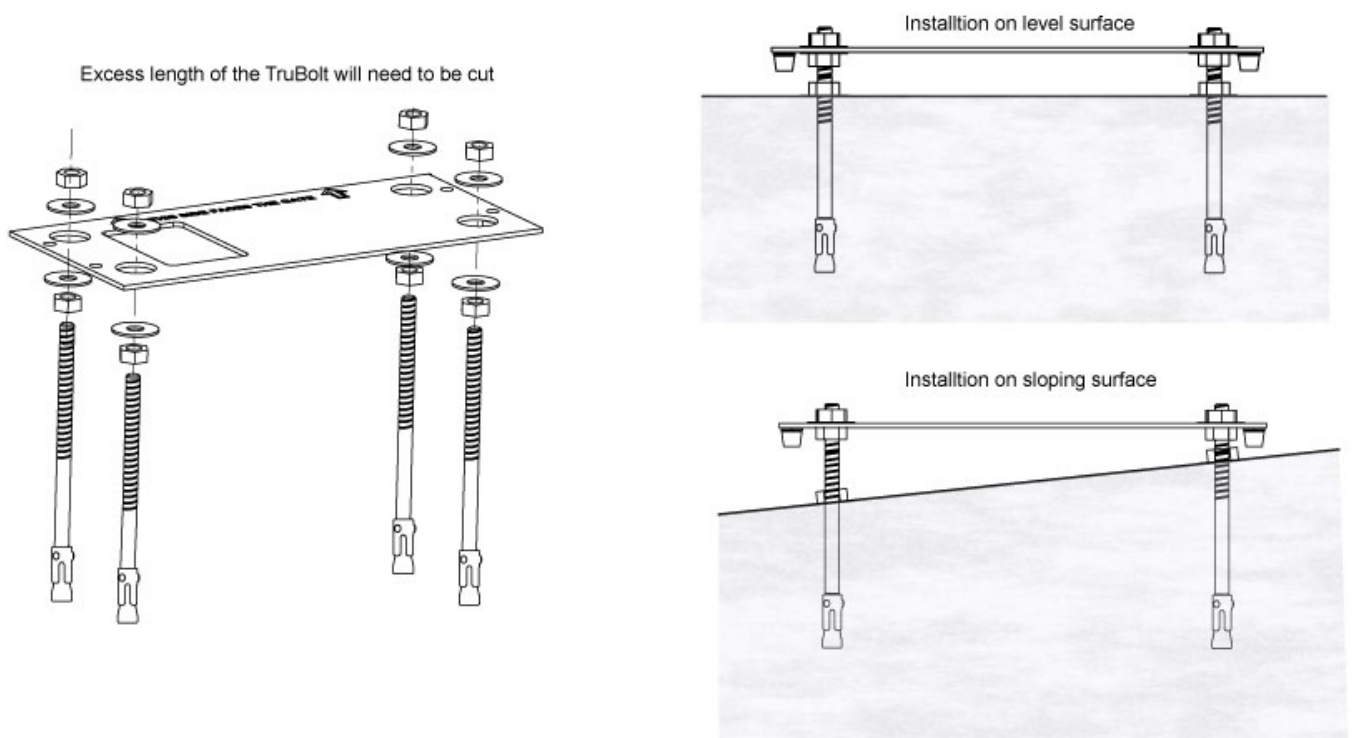


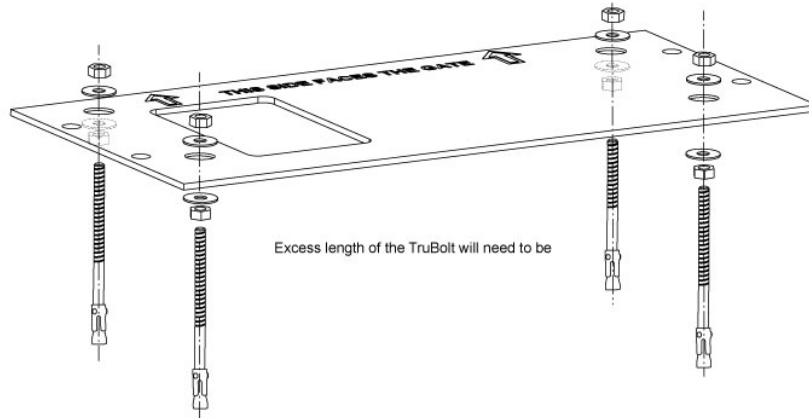
Fig 1

Run Conduit and power cables, accessories and sensor cables through the rectangular cut-out in the base plate. Make sure you have enough length on the cable to wire into the control card.

Make sure that the base plate is level horizontally and straight with respect to the gate.

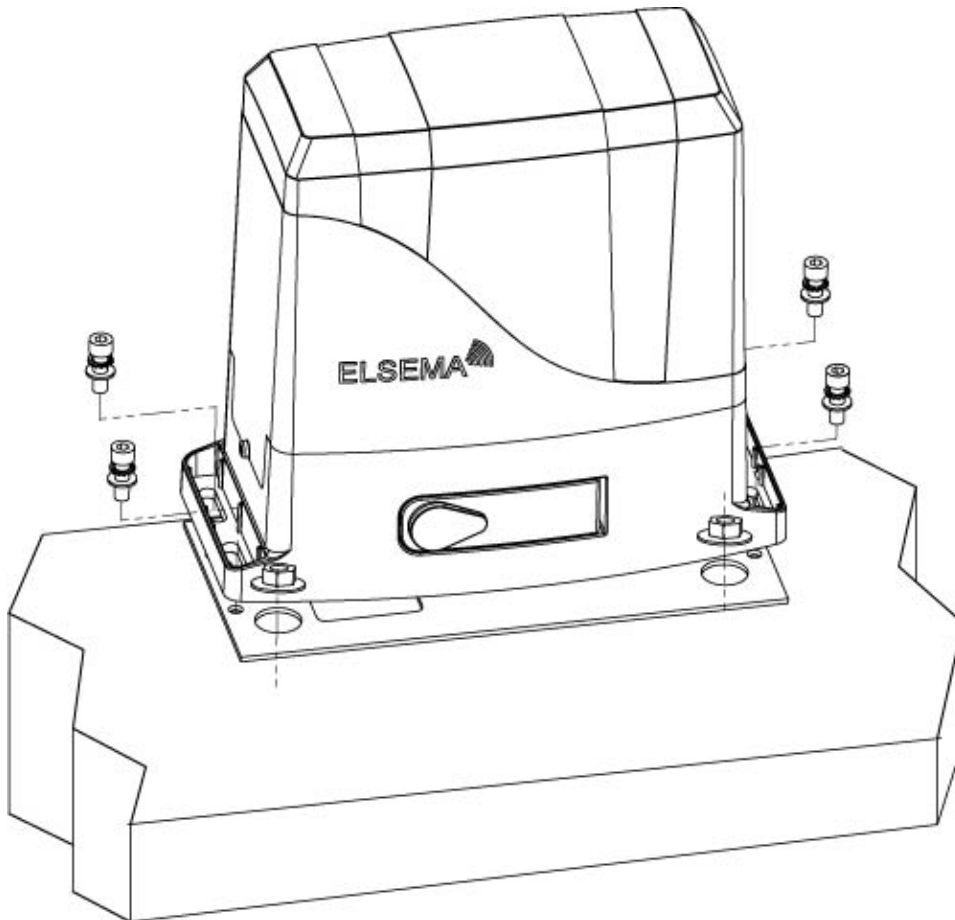
Excess length of the TruBolts will need to be cut.

C. INSTALLATION ON EXISTING FOUNDATION



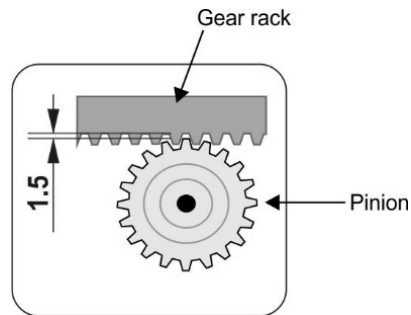
Use TruBolts included in the kit to secure the base plate on solid concrete surface. Making sure that the distance from both edges of the base plate to the gate should be the same. Excess length of the TruBolt will need to be cut.

D. Mount the operator on to the base plate with the screws provided as shown below.



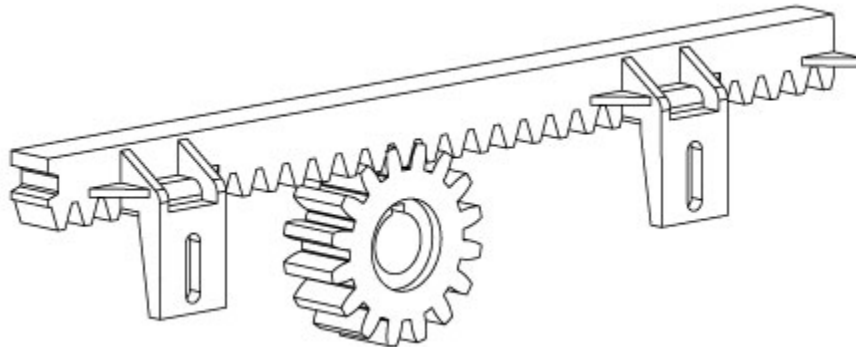
E. GEAR RACK INSTALLATION

1. Move the Gate leaf to fully closed position.
2. Place the first piece of the rack over the pinion leaving about 1.5mm gap and mark the drilling point on the gate, drill a pilot hole and screw the rack using the self-tapping screw with the reinforcing plate.
3. Move the gate manually, making sure that the rack is resting on the pinion and fix all other screws.
4. Bring the next rack and join it to the previous one by slotting it into inter-connecting slots.
5. Repeat this process until the gate is fully covered from fully open to fully close positions.



F. CHECK GEAR RACK INSTALLATION

- Make sure that the rack is constantly in full contact with the pinion for the full open and close travel cycle.
- Manually check if the gate reaches the mechanical stop limits and make sure there is no friction during gate travel.
- Do not use grease or other lubricants between rack and pinion



G. LIMIT SWITCH ADJUSTMENT

- Install the limit switch magnets as shown in fig 6.
- The limit switch magnets should be initially installed at least 50mm before the end of travel on both sides. Final adjustment should be done after successful travel learning with the control card.
- Adjustments of the limit switch should be done after all other components are installed securely.

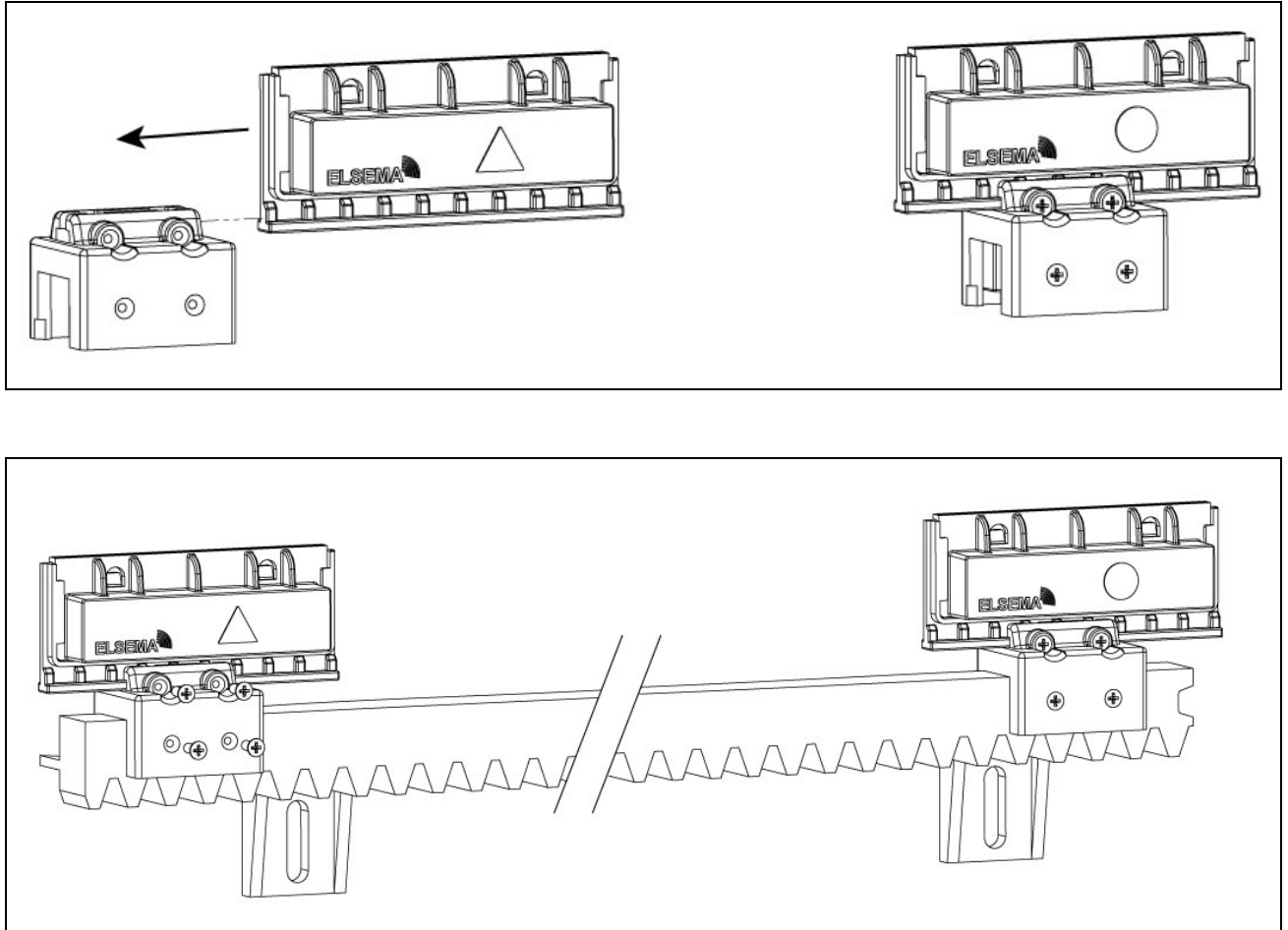
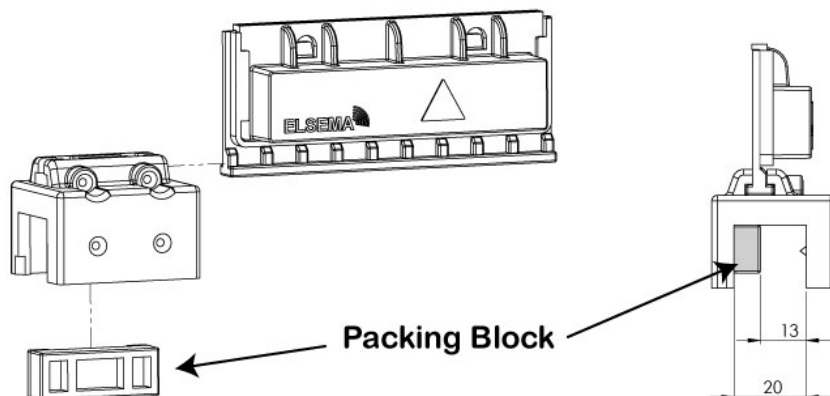


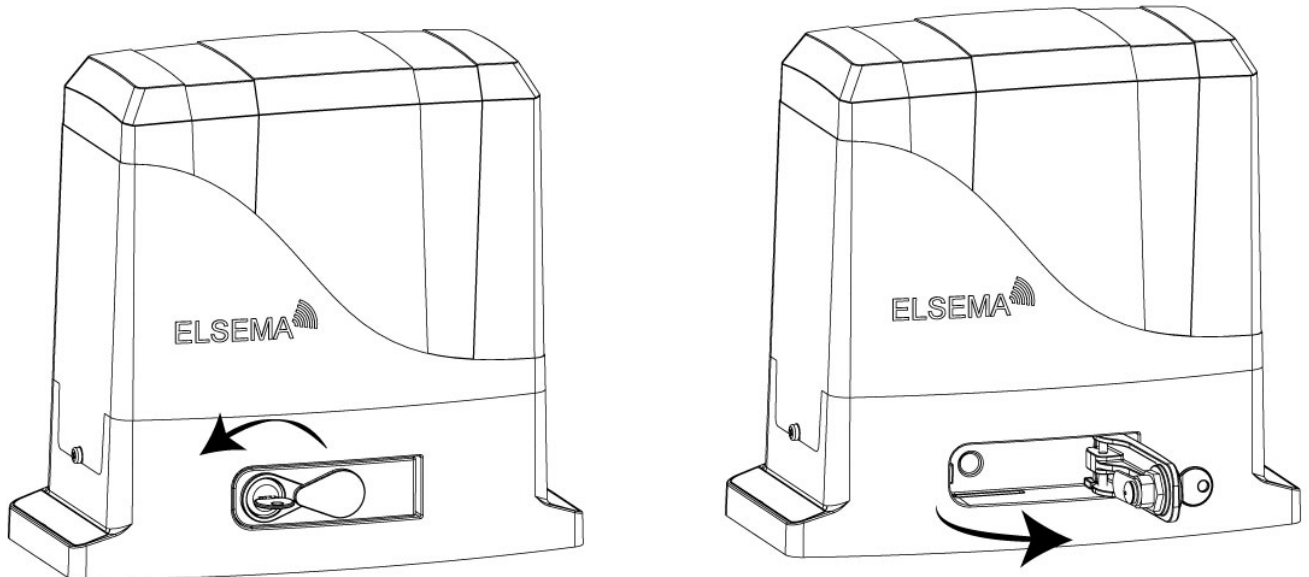
Fig 6

When steel gear rack is used (or gear rack which are much slimmer), you will have to use the packing block which comes with the limit switches. Please see the diagram below



H. Manual Release

The operator has an unlocking mechanism. Once it's unlocked, the gate can be operated manually in both directions. The unlocking key is needed to unlock the motor. Please keep the key in a safe place for later use. The manual release lever is located towards the bottom of the operator. (See pictures below). Use the key to unlock the manual release lever. Once unlocked pull the lever so that it's perpendicular to the motor. The gate can now be used manually.



I. ELECTRICAL CONNECTION

After successful motor installation, refer to the user manual of the control card for automatic operation setup.

1.6 MAINTENANCE:

Maintenance should be performed at least every six months. If it is used in high traffic area, a more regular maintenance should be performed.

Disconnect the power supply:

- (1) Clean and lubricate the screws, the wheels of the gate with grease.
- (2) Check limit magnets position and fixture.
- (3) Check the fastening points are properly tightened.
- (4) Check and make sure that the wire connections are in good condition.

Connect the power supply:

- (1) Check the power adjustments.
- (2) Check the function of the manual release
- (3) Check the photocells or other safety device.

Notes

- **Swing Gate Kits**
- **Solar Kits**
- **Solar panels**
- **Backup batteries**
- **Vehicle Loop Detectors**
- **Photo electric beams**
- **Magnetic locks**
- **Wireless keypads**
- **Pre formed loop**



Visit www.elsema.com to see our full range of Gate and Door Automation products