

# Auto-Lock Kit

## Panelift® PFI & PFT Models

installation instructions PART NO: MS0103

### installation

#### standard installation

garage door lock - order no. MC-0002		
item	description	qty
1	garage door lock (includes battery)	1
wireless WBS-1V1 kit 1 order 14827		
5	wireless WBS-1V1 AY	1
6	WBS harness 90mm AY	1
7	WBS harness 400mm AY	1
8	taptite screw "P"	2
9	velcro 20 x 50	1
mounting screw pack GDL100 order 61411		
14	button head screw ZN M6 x 14	2



#### QR code

To view step by step installation guide video, download a QR Code Reader App from your App Store and scan this code.

#### limited sideroom installation

garage door lock - order no. MC-0002		
item	description	qty
1	garage door lock (includes battery)	1
2	mounting plate	1
3	bracket striker GDL100	1
wireless WBS-1V1 kit 1 order 14827		
5	wireless WBS-1V1 AY	1
6	WBS harness 90mm AY	1
7	WBS harness 400mm AY	1
8	taptite screw "P"	2
9	velcro 20 x 50	1
mounting screw pack GDL100 order 61411		
10	bolt 1/4" - 20TPI - UNCX1/2" SQ neck	3
11	nut ser flng 1/4" x 20-TP1 UNC ZN	3
12	screw tek 14g-20x25 flng HD CL4	4
13	cross recessed screw M6 x 12	2

### WARNING!

This device will slide a bolt into the guide track automatically when the door is closed. Not suitable for garages that have only one exit. For emergency lock/unlock press the button on the Auto-Lock. This will disengage the lock from the guide track and allow you to disengage the opener and open the door. The lock will automatically re-engage after the next complete cycle.

It is our strong recommendation that your opener be fitted with SAFETY BEAMS. Safety Beams detect any obstructions in the door/gate's path and override automatic operation if one presents. These must be installed as in accordance with AS/NZS 60335-2-95:2012.

### important safety instructions

#### WARNING!

- DO NOT attempt to disassemble, repair or modify the product. This will invalidate the warranty.
- DO NOT allow children to play with the Auto-Lock.
- Not suitable for garages that have only one exit.
- DO NOT cover, paint or lubricate the product.

#### CAUTION!

##### Fall from ladder

- Ensure ladder is the correct type for job.
- Ensure ladder is on flat ground.
- Ensure user has 3 points of contact while on ladder.

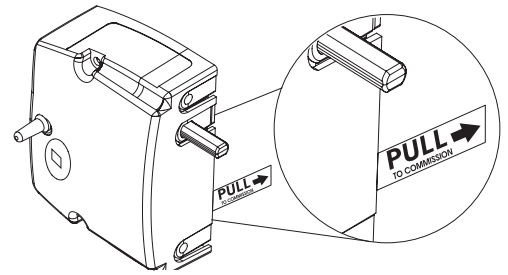
##### Burns

- DO NOT handle damaged or leaking batteries
- The Auto-Lock Kit contains sealed lead-acid batteries that must be disposed of properly at the end of their useful life.

## prior to installation

### preparation - pull tab

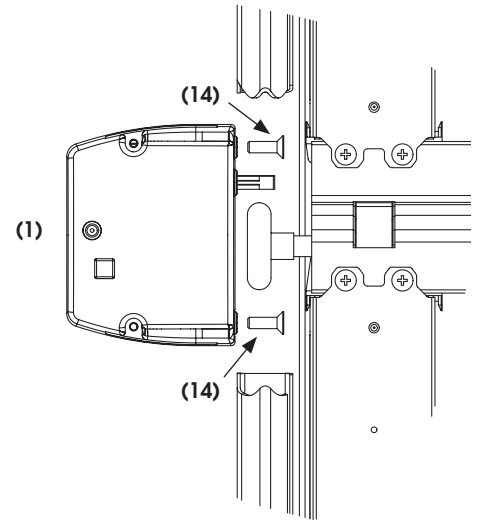
- Prior to installation of the Auto-Lock, pull to remove the battery isolation tab.
- Once removed the battery will engage and the lock is operational. Examine the garage and proceed to either Standard or Limited Sideroom Installation on either L/h or R/h side of door.



## standard installation

### preparation - mounting on track

- Close the door.
- Using a marker pen, mark the position of the top of the second door wheel from the floor on the track.
- Open the door and transfer this mark to the inside of the track.
- Remove the drilling template label.
- Place the Datum line on the template on top of the line marked inside the track. Check the large hole is 10mm above the wheel.
- Drill holes in the track using 6mm and 12mm drill bits.
- Fix garage door lock (1) using two M6 x 14 button head screws (14).
- Close the door and check the position of the lock to the wheel. It should easily clear the wheel with 10mm clearance.

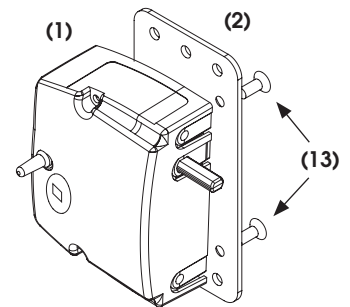


**PROCEED TO CONNECTING WIRELESS BASE STATION TO THE OPENER.**

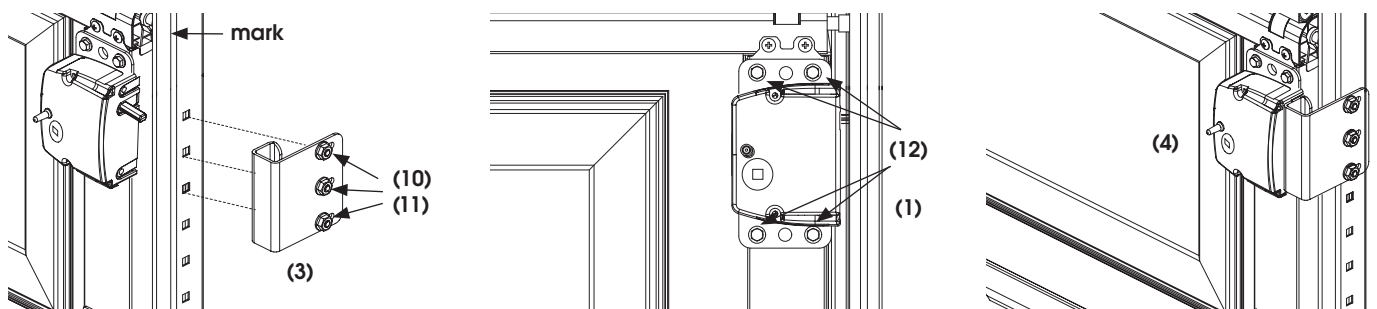
## limited sideroom installation

### preparation - mounting on door stile

- Fit the mounting plate (2) to the garage door lock (1) using two M6 x 12 cross recessed screws (13).
- Close the door to determine mounting position on the bottom door panel and mark (3).
- Open door and affix the striker bracket (3) to the track, below the mark with 3 x bolts and nuts (10,11).
- Close the door and align the lock and mounting plate (1) on the bottom panel door stile so that the lock bolt aligns with the hole in the strike plate (3) ensure you allow for sideways movement of the door and fix using 2 only of the 4 tek screws (12).
- Open and close the door, operate the lock manually make sure the lock bolt fully engages in the strike bracket without catching (4) adjust as required before fitting the remaining tek screws (12) and ensuring the three strike nuts and bolts are tight (3,10,11).



**PROCEED TO CONNECTING WIRELESS BASE STATION TO THE OPENER.**



## connect transceiver to opener SDO-2V2 Advance™, SDO-3 S & PanelPro™

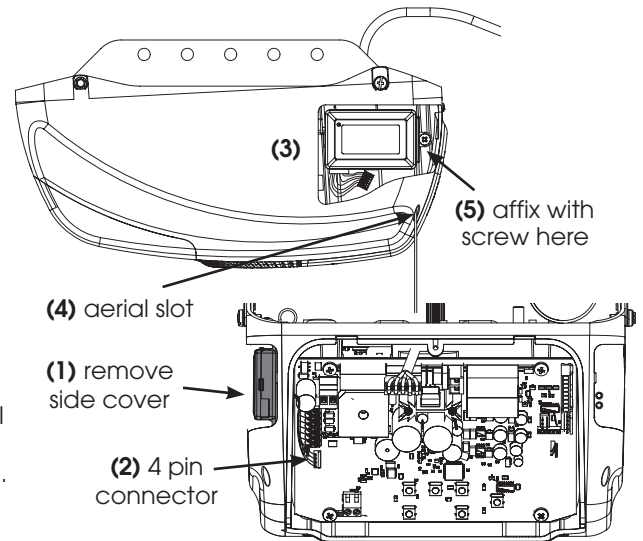
### preparation of opener

- Disconnect the power supply to the opener.
- Remove the back cover via screw at top.

### to connect the harness and fit the transceiver

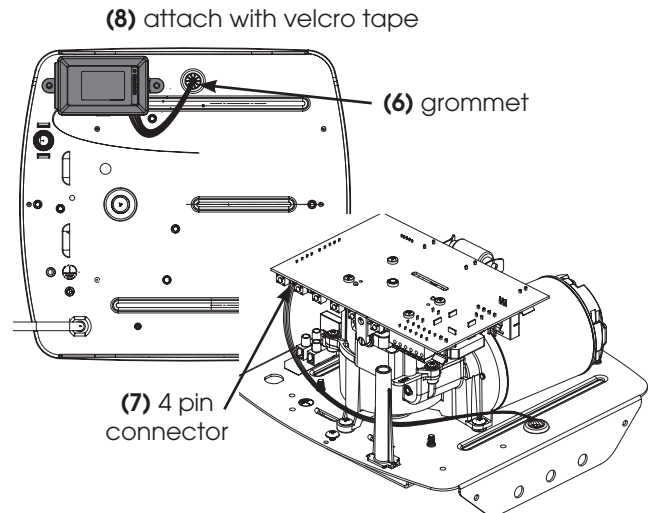
#### Advance™

- Remove the side flap from the left hand side of cover (1). Slide the WBS harness 90mm through the slot in the cover. Connect the harness to the 4 pin connector on the control board (2) as shown on the Advance control board. Plug the other end of the 90mm harness into the transceiver (3).
- Slide the aerial from the transceiver (4) through the slot in the cover as shown so that aerial hangs out of cover. Affix transceiver to opener with 1 x tapitite screw (5).
- Refit all covers.



#### CAD S & PanelPro™

- Remove the grommet out of the chassis (6). Cut one side of the grommet with a knife. Slide the 400mm WBS harness into the cut in the grommet. Refit grommet to chassis by sliding the harness through hole before fitting grommet. Connect the harness to the 4 pin connector (7) on the control board as shown.
- Attach the other end of the 400mm WBS harness to the transceiver, (8) using the velcro tape attach the transceiver onto the top of the opener as shown.
- Refit all covers.



**WARNING! DO NOT drill into the chassis or covers. No screws are required to secure the wireless basestation (except for the Advance™ which has a predrilled hole).**

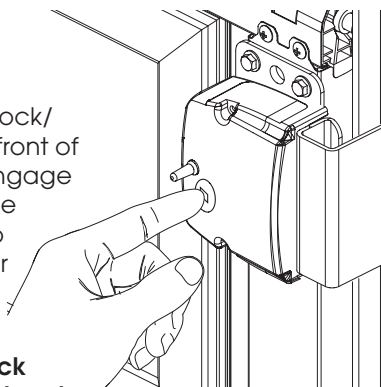
### test the opener

- Reconnect power to the opener and test operation.
- Upon completion of a full cycle the lock will engage into the track.

## operation

### how to operate

Press the emergency lock/unlock button on the front of the Auto-Lock to disengage the lock from the guide track and allow you to disengage the opener and open the door.



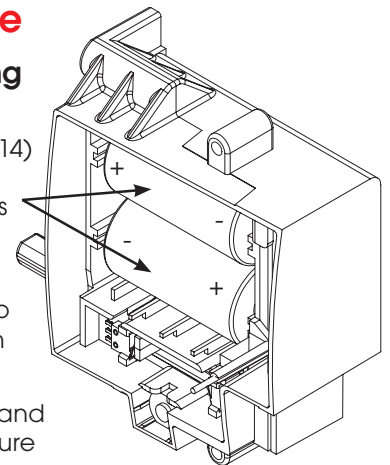
**WARNING! The emergency lock/unlock button on this product is not to be used as a primary means of locking the door under normal circumstances.**

The emergency lock/unlock button is to be used only in case of power outage or emergency.

## battery change

### low battery warning

- Replace lock batteries (2 x C-LR 14) immediately when opener light flashes three times.
- Remove cover by unscrewing the two screws on the main cover.
- Replace batteries and refit cover and secure with two screws.



# warranty and exclusion of liability

purchased from: \_\_\_\_\_ purchaser: \_\_\_\_\_ (described as "you" below)  
 address: \_\_\_\_\_ installed by: \_\_\_\_\_  
 installed on (date): \_\_\_\_\_ invoice no: \_\_\_\_\_

## 1. Making a claim

To make a warranty claim you must:

- produce a copy of the receipt of purchase, together with this warranty certificate with the above details completed; and
- where the Product has been sold by B&D, make all warranty claims directly with B&D by sending it to B&D at the relevant address set out in paragraph 2 below; or
- where the Product has been sold by an approved distributor, make all warranty claims directly with the approved distributor. If you are unsure of the correct address of the approved distributor from which you purchased the product, you can send your claim to B&D with the rest of the above details completed, including the original invoice number, and we will forward it to the distributor.

You are responsible for the expense of making a claim under this warranty.

## 2. B&D or approved distributors only

This warranty is in addition to any statutory, non-excludable guarantees or warranty rights under Australian or New Zealand laws (as applicable). This warranty applies only to Products sold by B&D or its approved distributor. "B&D" means in Australia - B&D Doors of 34 - 36 Marigold St, Revesby NSW 2212 and in New Zealand - B&D Doors (NZ) Limited of 30C Allens Road, East Tamaki Auckland. "Approved distributor" means an approved reseller of B&D products purchasing on open account, from B&D, for the purpose of supplying those products to end users.

## 3. What the warranty covers

B&D warrants, subject to paragraph 4, that it will, at its option, either repair or replace (in a manner B&D considers reasonable) any proven defects:

- in installation for a period of one year from the date of installation where the Product has been installed by B&D or its approved distributor;
- in materials, manufacture or workmanship in the Product, as follows:
  - for all components of the Product that make up the power head refer to the powerheads installation manual;
  - for all components of the Product that make up the power head (including any track assembly) that is attached to a garage door and that are not installed by B&D or an approved distributor, the warranty is valid for a period of one year, provided that all costs of disconnection, reinstallation and return freight are to be borne by you;
  - for all other components of the Product (Auto-Lock Kit) the warranty is valid for a period of one year; and
  - in each case the warranty applies from the later of the date of purchase, delivery or installation by B&D or an approved distributor (as applicable).

## 4. What the warranty does not cover

This warranty does not cover:

- batteries or globes - B&D will not be liable for any defect or failure in them;
- adjustments - (as described in the Instruction Manual provided with the Product) which are not defects - you will need to pay for any service calls for adjustments;
- model modifications - B&D will not be required to incorporate modifications made to existing/future Product models;
- travel expenses - incurred by B&D or its approved distributor in either travelling to and from or transporting the Product to/from areas outside a capital city metropolitan area - you will need to pay for these expenses; or
- additional access expenses - incurred by B&D or an approved distributor in obtaining access where the Product is not readily accessible - you will need to pay for those additional expenses.

## 5. What voids the warranty

Subject to paragraph 6, this warranty does not extend to, and B&D will be relieved of, all obligations, responsibilities and liabilities in the event that defects in the Product are directly or indirectly, in the opinion of B&D, due to or resulting from:

- unreasonable use - the Product not being used correctly in accordance with the Instruction Manual or other unreasonable use;
- instructions - failure to observe any instructions or directions (including "warning" notifications in the Instruction Manual), provided with the Product or given to you;

- other devices - the Product being fitted to any door or other closing device which is not of the type or condition defined in the Instruction Manual as suitable for installation of the Product;
- installation or adjustment - faulty installation or adjustment of the Product or door to which the Product is connected where such installation or adjustment is not carried out by B&D or its approved distributors;
- unauthorised acts - modifications or repairs made or attempted to be made by you or any unauthorised person;
- service - lack of proper maintenance, service or care of the door and Product;
- outside control - events or acts beyond the reasonable control of B&D;
- settings - use with doors locked or operation of the Product with excessively high opening or closing force settings
- wiring - faulty electrical wiring of structures to which the Product is affixed;
- interference - radio (including citizen band transmissions) or other electronic interference;
- water damage - including effects from rust and corrosion);
- salt - salt corrosion or damage to the surface coatings or base materials due to environmental conditions (such as proximity to the sea-front or similar corrosive conditions).
- continuous operating time - maximum continuous operating time exceeding 1 minute in 10;
- maximum operating force - the operating force exceeding 15kg\* (150 Newton) when moving the door manually to the open or closed position;
- door size - the door surface area exceeding 16.5m<sup>2</sup>;
- modifications - any unauthorised modification to the Product;
- damage - damage caused by insects; or
- non-residential use - installation of a residential garage door opener in a commercial or industrial premises or in a dwelling other than a single-family dwelling.

## 6. Statutory guarantees or warranties

### Australia

If you are a consumer under the Australian Consumer Law, our goods come with guarantees that cannot be excluded under the Australian Consumer Law. You are entitled to a replacement or refund for a major failure and for compensation for any other reasonably foreseeable loss or damage. You are also entitled to have the goods repaired or replaced if the goods fail to be of acceptable quality and the failure does not amount to a major failure. This warranty certificate and other statements contained in this document or other B&D documents given to you do not exclude, restrict or modify the application of all or any of the provisions of the Australian Consumer Law.

### New Zealand

This warranty certificate and other statements contained in this document or other B&D documents given to you do not exclude, restrict or modify the application of the New Zealand Consumer Guarantees Act (collectively defined as the "Act"); or the exercise of rights conferred by other statutory provisions which cannot be excluded, restricted or modified, provided that to the extent that the Act or other statutory provision permits B&D to limit its liability for a breach of a statutory guarantee or warranty, B&D's liability for such breach is limited to the payment of the cost of replacing the Product or acquiring an equivalent Product or repairing the Product.

In Australia, this warranty is given by B&D Australia Pty Limited (ABN 25 010 473 971) of B&D Doors of 34 - 36 Marigold St, Revesby NSW 2212, phone 13 62 63 and email enquiries@bnd.com.au.

In New Zealand, this warranty is given by BD Doors (NZ) Limited of 30C Allens Road, East Tamaki, Auckland, phone 09-273 8600 and email enquiries@bnd.co.nz. This warranty document is not intended to create a contract between B&D and the purchaser.

## Notes

- \* The door that the Product is used with should be balanced in such a way that the user is able to open or close the door manually using a force not greater than 150 Newton (15 kg), other than to initially cause the door to start moving, which may require force in excess of that specified in this paragraph.

## b&d doors office locations

<b>New South Wales</b>	34 Marigold St, Revesby 2212	Phone (02) 9722 5555
<b>Queensland</b>	17 Oasis Court, Clontarf 4019	Phone (07) 3883 0200
<b>Newcastle</b>	Unit 1/108 Mitchell Rd, Cardiff 2285	Phone (02) 4956 8533
<b>Victoria</b>	147-153 Canterbury Rd, Kilsyth 3137	Phone (03) 9237 7766
<b>South Australia</b>	23 Frederick Rd, Royal Park 5014	Phone (08) 8440 4747
<b>Western Australia</b>	96 Mulgool Rd, Malaga 6090	Phone (08) 9247 8777
<b>International/Export</b>	34 Marigold St, Revesby 2212	Phone +61 (0)2 9722 5555

your representative is

Prefixed trademarks are the property of B&D Australia Pty Ltd. B&D Doors & Openers is a division of B&D Australia Pty Ltd. ABN 25 010 473 971. © 2016 B&D Australia Pty Ltd.

[www.bnd.com.au](http://www.bnd.com.au)

**b&d**