

4Ddoors

FOR HOME AND INDUSTRY



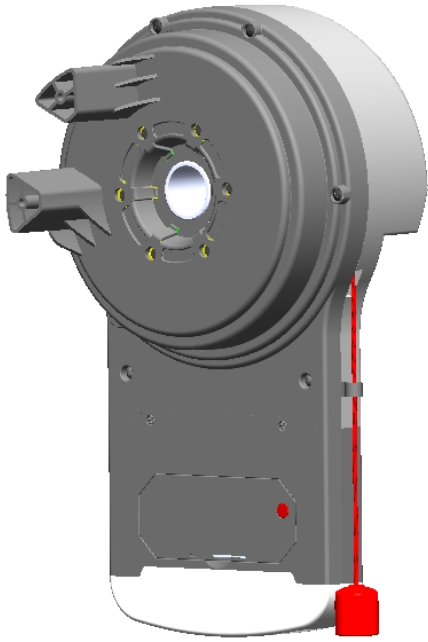
Installation instructions and Owner's manual
Roller door operator

4DR1 v4

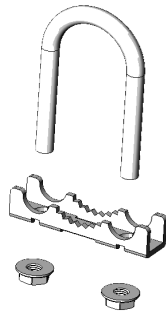
READ THIS MANUAL CAREFULLY BEFORE BEGINNING INSTALLATION

Installer: Permanently attach manual to the wall.

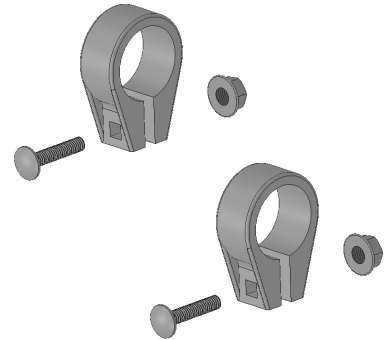
Inventory



Operator Unit



U-bolt + Saddle x1 set



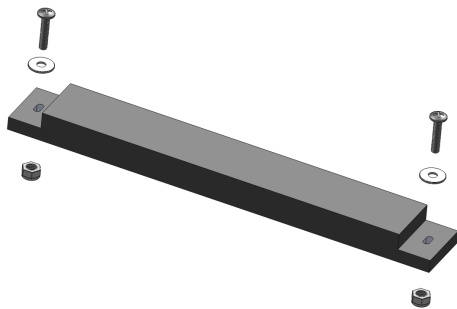
Anti-Coning Clip x2 sets



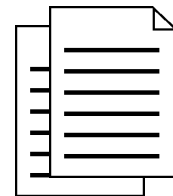
Remote Handset x2 *



Wireless Wall Button x1 *



Weight Bar & mounting screw set x1



Manual + Safety Label

* Optional Accessories

* Items and quantity may differ to images shown

SPECIFICATION

Electrical Rating

Input	AC 220V 50/60Hz
Max. Current	2A
Power	100W
Standby Power	<2W

Motor

Type	DC 24V
Max. Capacity	1000N

Recommended Lifting Forces

Max. Lifting Force	60kg
Rated Lifting Force	40kg

Door Type

Max. Door Size	20.5m ²
Max. Door Height	4.6m
Door Travel Limits	4.5 turns of door drum approx.

Courtesy Light

Light Source	6 x Ultra Bright LEDs
Lighting Time	2.5 minutes

Transmitter

Frequency	433MHz
Operation Range	50m (open field)
Coding Type	Fixed-code
Battery	12V (A23 Alkaline) x 1

Features

Soft opening and closing
Safety reverse on closing and stop on opening
Digital interface for RH/LH setting, force adjustment, etc.

Miscellaneous

Operating Temperature	-20°C ~ +50°C
Dimension (mm)	434 L x 248 W x 190H
Weight	5.4kg approx.

TABLE OF CONTENTS

Pre-Installation Notes	4
Important Notices	5
Installation Instructions	6
Connectors	7
Setting Direction of Operation	8
Setting UP-Limit	9
Setting DOWN-Limit	10
Sensitivity Auto-Learning	11
Manual Sensitivity Adjustment (For Installers Only)	12
Programming Transmitter	13
Setting Auto-Closing Timer	14
Trouble-Shooting	15
Parts Breakdown	16
Parts List	17
Warranty	18

PRE-INSTALLATION NOTES

The operator may be fitted to either the **RIGHT** or **LEFT** hand side of the roller door.

Check that there is sufficient side clearance to fit the operator unit as below listed:

Door Type	Minimum side clearance
"A" Series (25mm deep tracks)	90mm
"AA" Series (50mm deep tracks)	115mm
All doors with Windlok Tracks subject to Drum Position	140mm

Ensure there is a properly earthed mains supply socket adjacent to where the operator is to be fitted.

If the operator is being fitted at the same time as the new door installation, read these instructions in conjunction with the door installation instructions.

If the operator is being retro-fitted, make sure the door operates smoothly and is properly balanced.

N.B.: SPECIAL CARE SHOULD BE TAKEN IF RE-TENSIONING OF THE DOOR IS REQUIRED.

IMPORTANT NOTICES

IMPORTANT : PLEASE READ THESE INSTRUCTIONS CAREFULLY PRIOR TO COMMENCING THE INSTALLATION OF THE OPERATOR UNIT.



This Automatic Operator has been designed to provide years of trouble-free use.

READ THESE IMPORTANT SAFETY RULES FIRST

Keep the garage door balanced. Sticking or binding doors must be repaired. Garage door, door springs, brackets and their hardware are under extreme tension and can cause serious personal injury. **Do not attempt adjustment.** Call for professional garage door service .



Do not wear rings, watches or loose clothing while installing or servicing a garage door operator.

Installation and wiring must be in compliance with your local building and electrical codes. Connect the power cord only to properly earthed mains.

The safety reverse system test is very important. Your garage door must reverse when obstructed on closing. Failure to properly adjust the operator may result in serious personal injury from a closing garage door. Repeat the test once a month and make any needed adjustments. (See Sensitivity adjustment).



This unit should not be installed in a damp or wet space.

Pull down on the Emergency Release handle to disengage the motor drive **ONLY** when the drive is switched OFF and, if possible, when the door is fully closed.



Do not use the sensitivity adjustments to compensate for a binding or sticking garage door. Excessive sensitivity will interfere with the proper operation of the Safety Reverse System or damage the garage door.

Disengage all existing garage door locks to avoid damage to garage door.

Install any additional Push Buttons in a location where the garage door is visible, but out of the reach of children. Do not allow children to operate push button/s or remote control/s. Serious personal injury from a closing garage door may result from misuse of the operator.

CAUTION: Activate operator only when the door is in full view, free of obstructions and the operator is properly adjusted. No one should enter or leave the garage while the door is in motion. Do not allow children to play near the door.

Disconnect electric power to the garage door operator before making repairs or removing covers.

IMPORTANT: Fix the caution label supplied to the rear of the garage door as a reminder of safe operating procedures.



NOTE: 1. When you disengage the unit, please move the door gently.
2. Direction of operation (L/R) must be set correctly before operation.

IF THERE IS ANY PROBLEM PLEASE CONTACT YOUR LOCAL SUPPLIER OF THIS OPERATOR

INSTALLATION INSTRUCTIONS

1. Fit anti-coning collar **TIGHT TO SHAFT** against drum at opposite end of curtain to the motor using anti-coning clip supplied in kit as shown in Fig.1.
2. Left off about pinning the curtain to the drum wheel. Ensure the curtain is pinned to the drum wheel.
3. Roll up door with at least 100mm of curtain hanging down in the tracks.
4. Ensure that the U-bolt on the end of the door opposite the end to which the operator is to be fitted is tightened securely. This U-bolt holds all the spring tension on the door once the other U-bolt is released.
5. Slide drive unit onto shaft as shown in Fig.2. Ensure the drive forks engage fully with the narrowest spoke on drum wheel.
6. For ease of installation, the sun gear can be disengaged for free rotation by pulling the Emergency Release handle downwards. To re-engage and lock the sun gear, pull down on the handle once again until a "click" is heard.

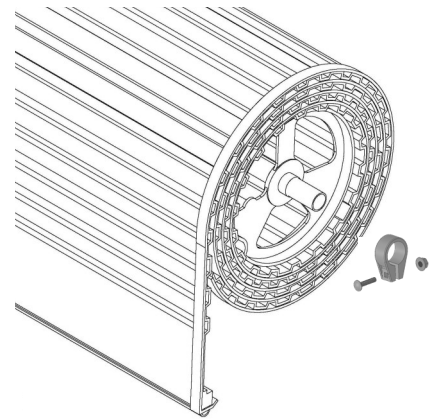


Fig.1

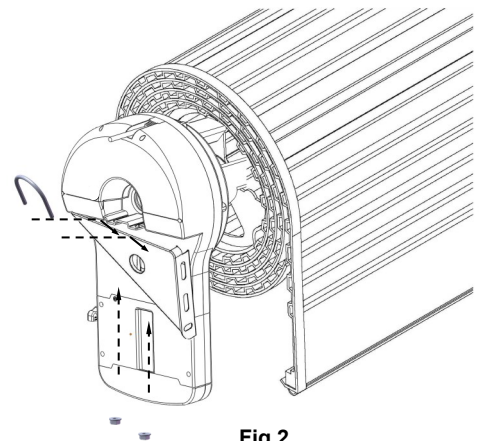
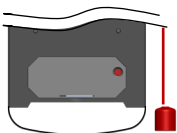
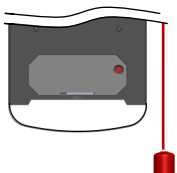


Fig.2

Caution : Operator must be ENGAGED before proceeding further installation.



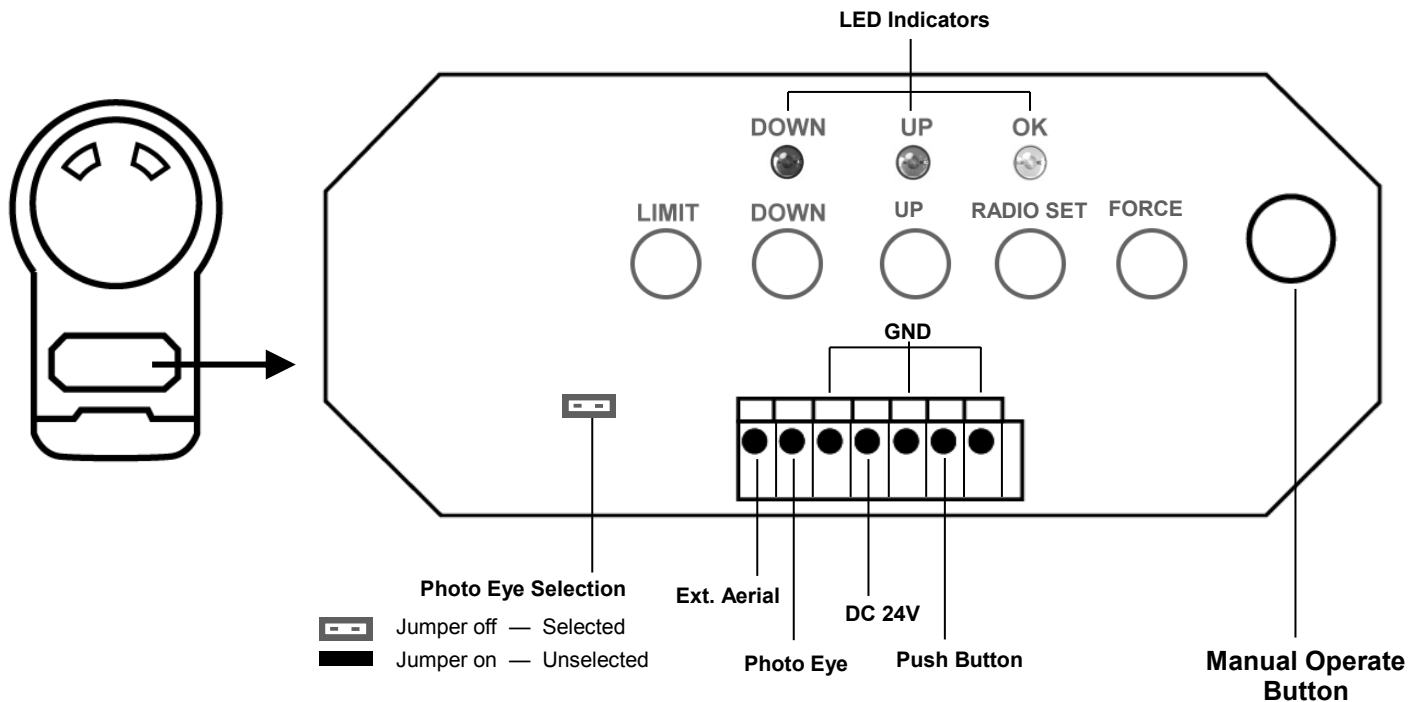
Engage - Pull down the release cord firmly with 'click'
(handle is on same level as bottom of the operator)



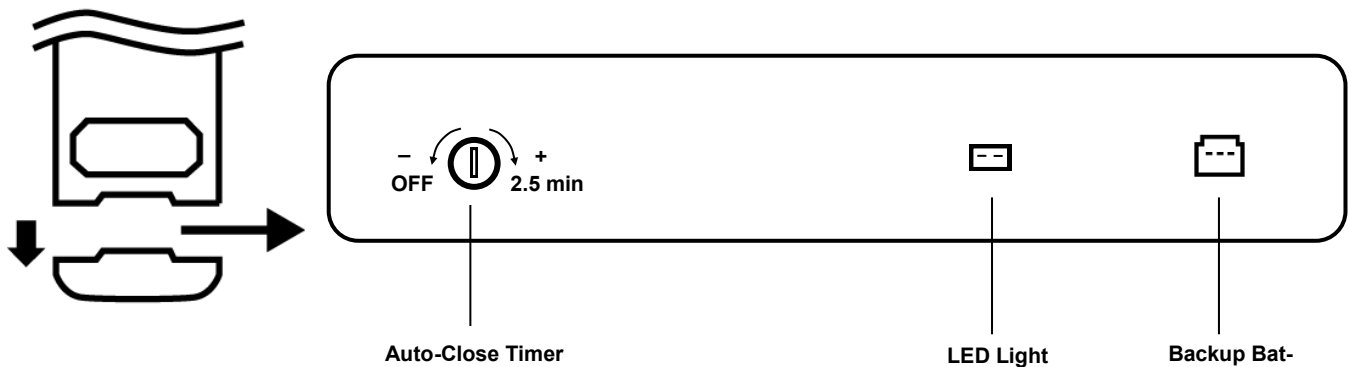
Disengage - Pull down the release cord firmly with 'click'
(handle is below the bottom of the operator)

Emergency Release

I. Main Control Panel



II. Miscellaneous Control and Terminals



*** Auto Close Timer function will only work when Photo Eye System is properly installed.**

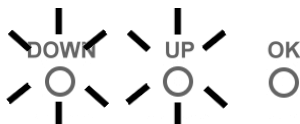
To activate Auto-Close Operation	Turn the knob towards “ + ” for maximum delay time of 2.5 minutes.
To deactivate Auto-Close Operation	Turn the knob fully towards “ — ”.

⚠ WARNING : This operator system is equipped with an unattended operation feature when Photo Eye System is applied. The door could move unexpectedly. **NO ONE SHOULD CROSS THE PATH OF THE MOVING DOOR!**

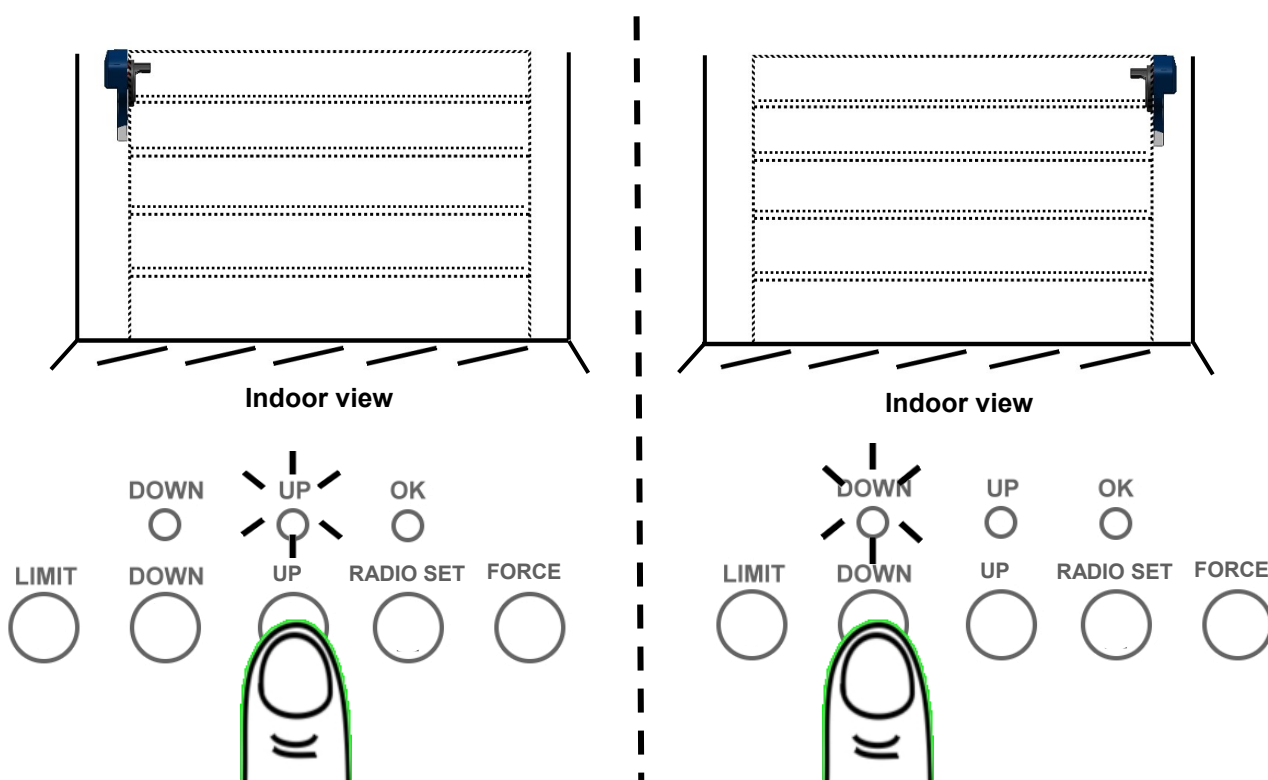
SETTING DIRECTION OF OPERATION

For using the operator the first time, it is necessary to set the direction of operation.

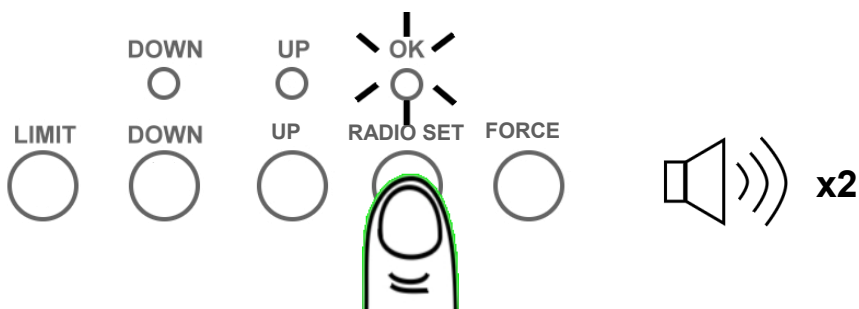
1. Connect power supply, both “UP” and “DOWN” LEDs are on.



2. Initialize the operational direction by pressing “UP” or “DOWN” button for the correct direction setting according to the illustrations below. The corresponding LED is on upon key input.



3. Press “RADIO SET” button to confirm setting. The “OK” LED is on with 2 beeps.

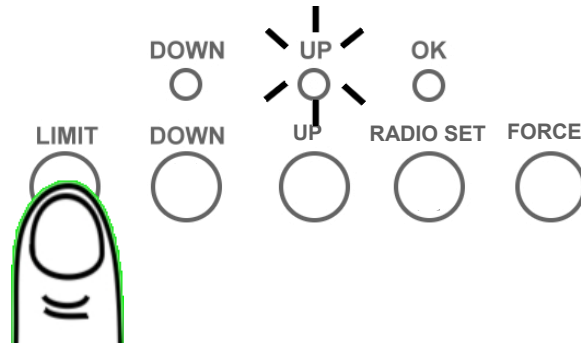


Caution : Make sure the drive unit is set for the correct side of installation!

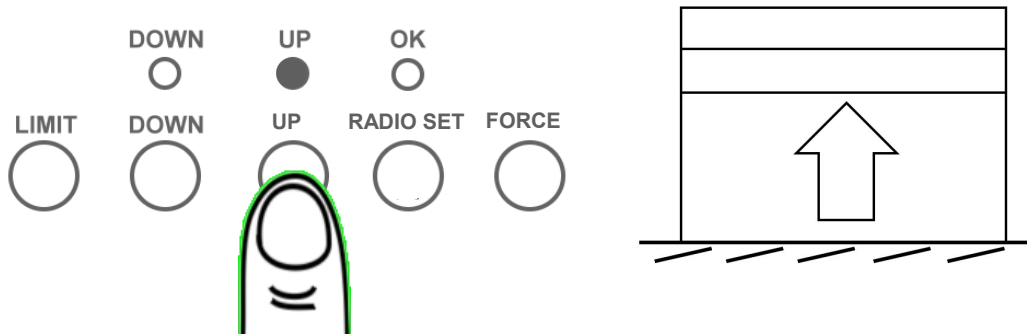
To reset installation direction, **press the “LIMIT” button constantly** until both “UP” and “DOWN” LEDs are ON, repeat steps 2 and 3 to set the appropriate direction.

SETTING UP LIMIT

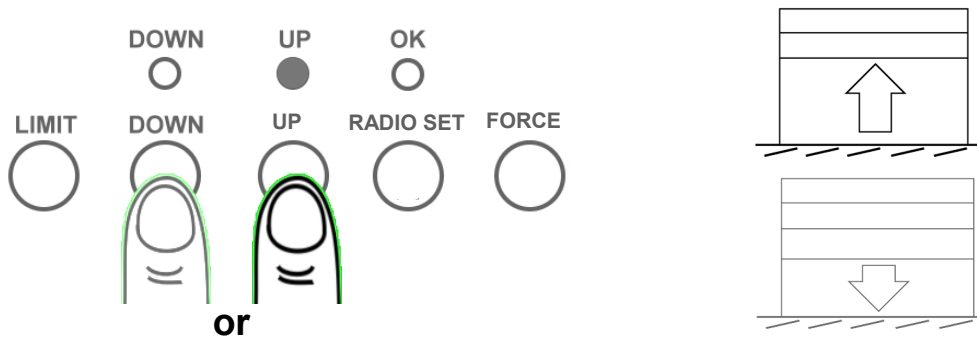
1. Press "LIMIT" button once to enter limit-setting mode. "UP" LED is on.



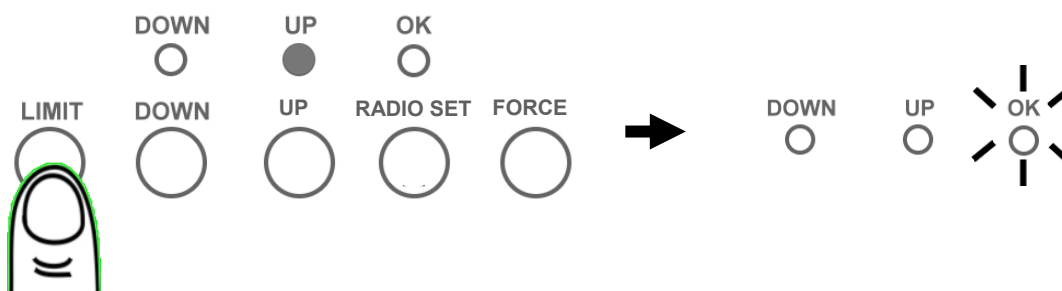
2. Press & hold the "UP" button, release the "UP" button when the door reaches the desired up limit position.



3. During limit-setting mode, press "UP" or "DOWN" to fine-tune to desired UP limit position.

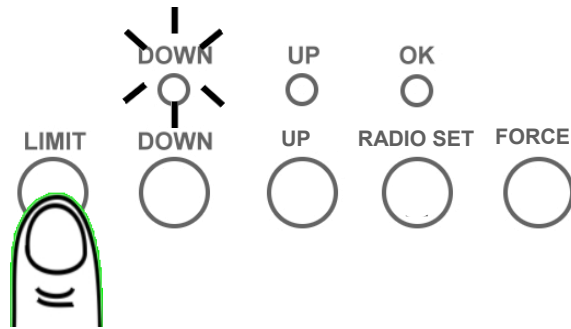


4. When the door is at the desired UP limit position, press "LIMIT" button once, "OK" LED flashes and goes out. UP limit is set.



SETTING DOWN LIMIT

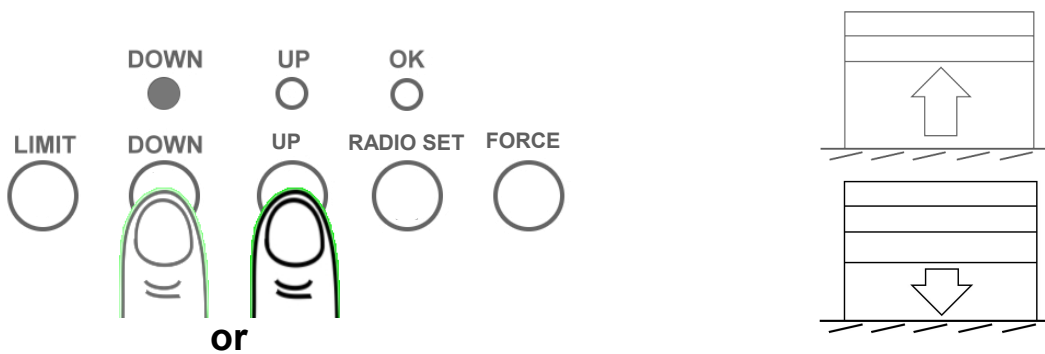
1. Press "LIMIT" button twice to enter DOWN-limit setting. "DOWN" LED is on.



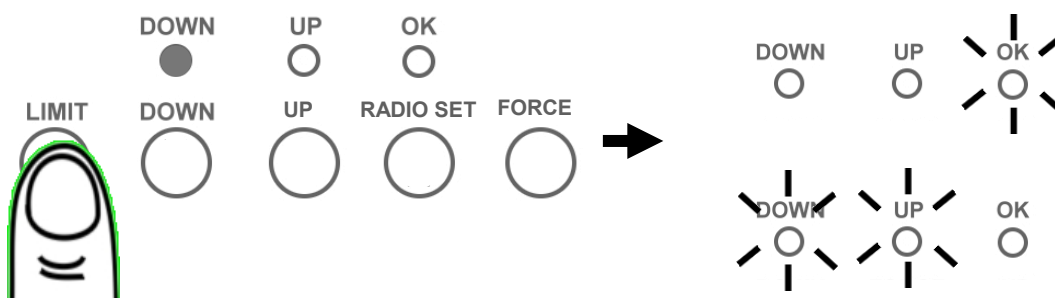
2. Press & hold the "DOWN" button, release the "DOWN" button when the door reaches the desired down limit position.



3. During limit-setting mode, press "UP" or "DOWN" to fine-tune to desired down limit position.

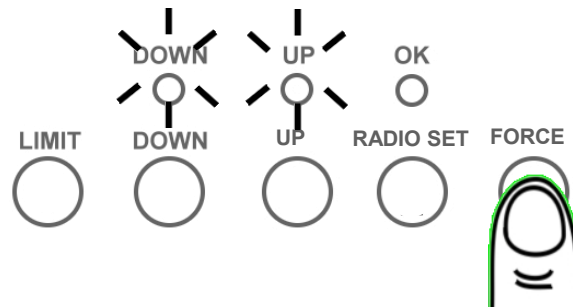


4. When the door is at the desired DOWN limit position, press "LIMIT" button once, "OK" LED flashes twice and both "UP" and "DOWN" LEDs are on. DOWN limit is set and the operator is ready for Sensitivity Auto-Learning.

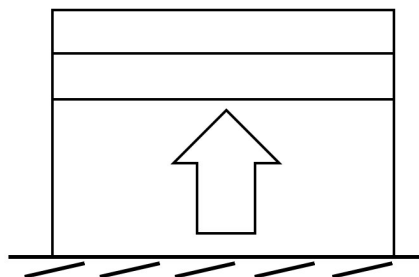


Following limit-setting, the unit is now ready to learn the sensitivity for door travel automatically. Proceed with the following steps to complete installation.

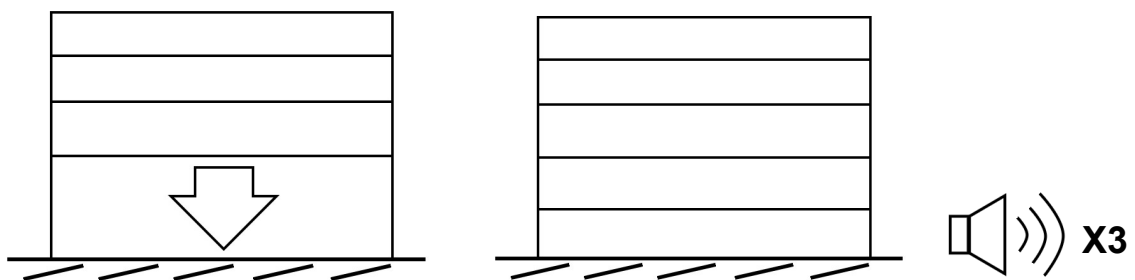
1. With both "UP" and "DOWN" LEDs are on after limit-setting, press the "FORCE" button once to enter Sensitivity Auto-Learning mode.



2. The door will open and stop at UP limit for 2 seconds.

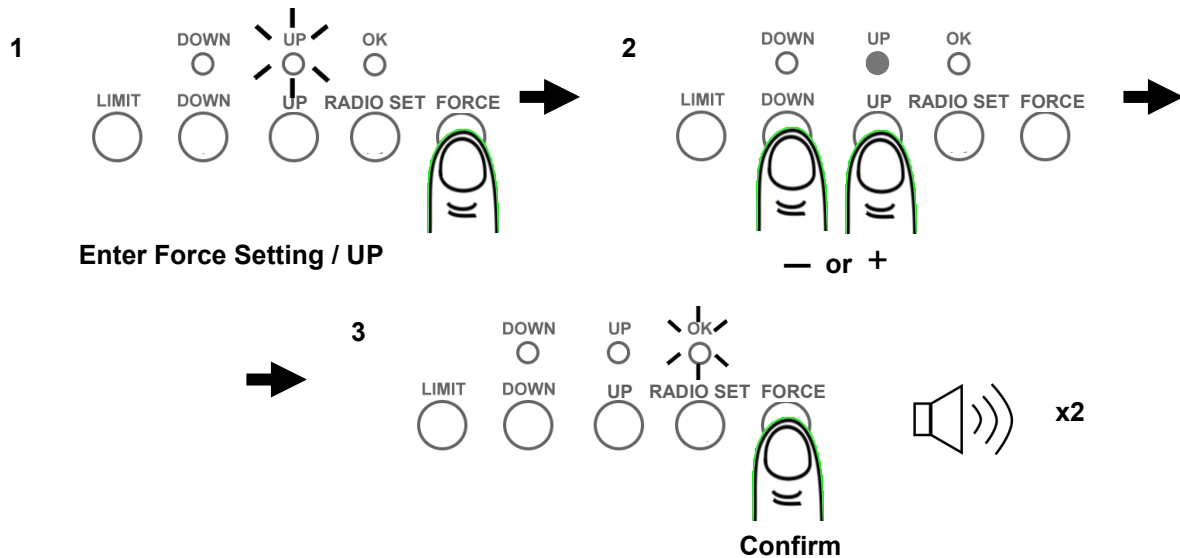


3. Door will then close and stop at down limit. The operator will beep 3 times, sensitivity is learnt automatically, acknowledging that the sensitivity has been set.



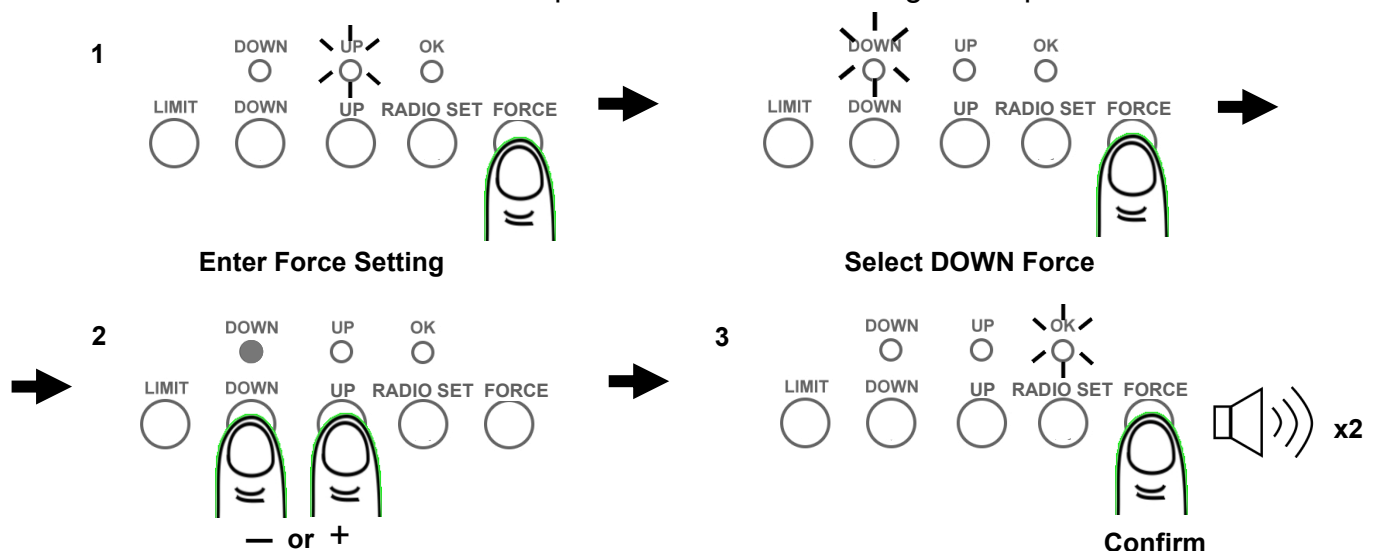
To adjust UP Force

1. Press "FORCE" button once, "UP" LED is on. You are now in "UP Force Setting" mode.
2. To increase or decrease UP force by pressing "UP" or "DOWN" button once at a time, a beep sound indicates an increase or decrease for one increment, and 2 beeps upon upper level 8 or lower level 1 is reached. The UP Force is default at level 5.
3. To complete "UP Force" setting, press "FORCE" button. "UP" LED goes off and "OK" LED flashes once with 2 beeps. "UP Force" setting is completed.



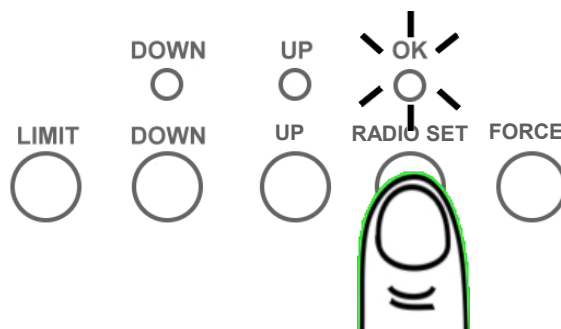
To adjust DOWN Force

1. To adjust DOWN force, press "FORCE" button once, "UP" LED is on, then press "FORCE" button again within 5 seconds, "DOWN" LED is on, you are now in "DOWN Force Setting" mode.
2. To increase or decrease DOWN force by pressing "UP" or "DOWN" button once at a time, a beep sound indicates an increase or decrease for one increment, and 2 beeps upon upper level 8 or lower level 1 is reached. The DOWN Force is default at level 1.
3. To complete "DOWN Force" setting, press "FORCE" button. "DOWN" LED goes off and "OK" LED flashes once with 2 beeps. "DOWN Force" setting is completed.

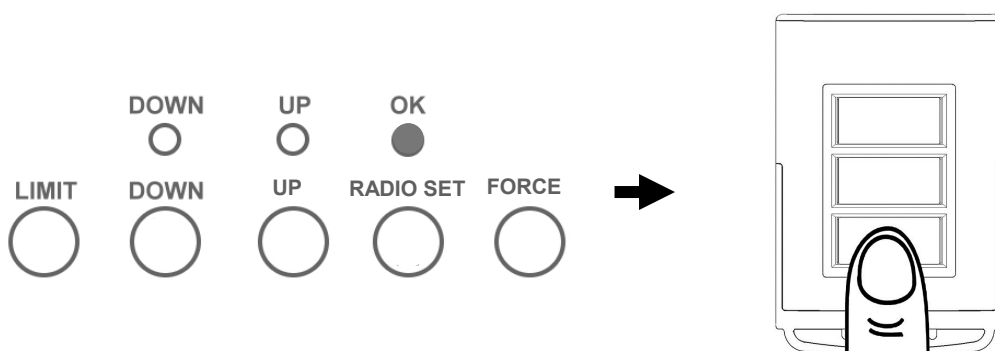


PROGRAMMING TRANSMITTER

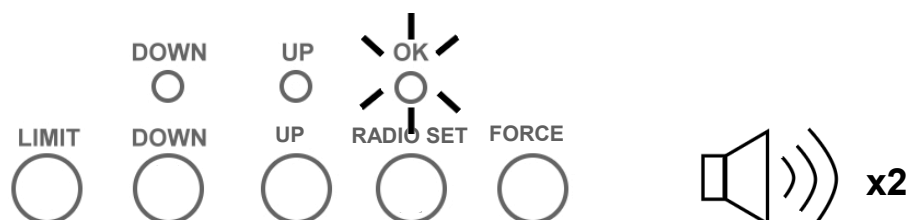
1. To program transmitter, press “RADIO SET” button, “OK” LED flashes twice. The unit is ready to accept a transmitter within a 30 seconds time frame.



2. Press any button on the transmitter within 30 seconds.



3. “OK” LED flashes once and operator beeps twice, acknowledging the transmitter is set.



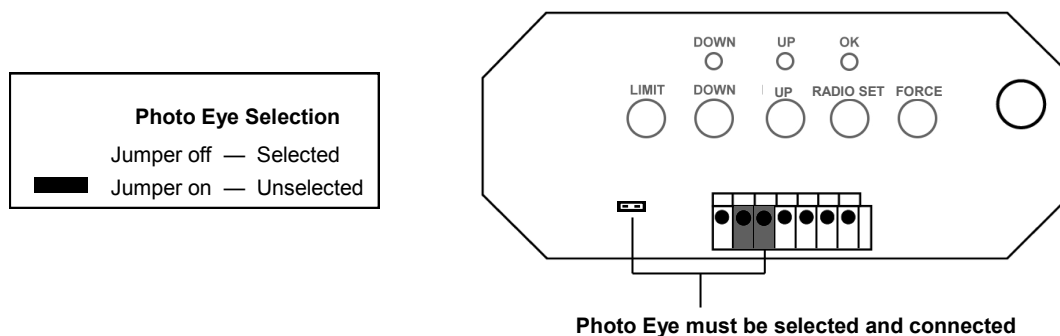
To DELETE ALL transmitters :

Press and hold “SET” button for about 7 seconds until “OK” LED flashes and beeps twice.

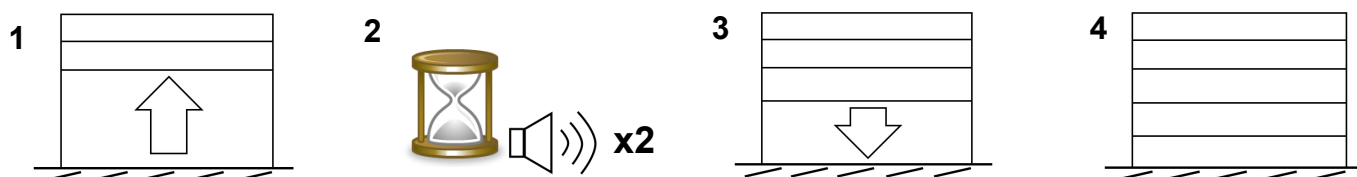
SETTING AUTO-CLOSING Operation / Courtesy Light / Buzzer Responses

Auto-closing timer is turned off as default (the screw control is at fully “-”)

1. Optional Photo Eye* must be selected and properly connected and aligned to enable Auto-Closing Operation. (* Contact your local operator supplier)
2. Turn the screw towards ‘+’ position to set to appropriate delay time (max. 2-1/2 minutes) for the door to auto-close after fully opened.



3. When the delay time is reached within the door at fully open position, the operator beeps twice and closes the door automatically.



Courtesy Light / Beeper Responses

Operation / Condition	Courtesy Light / Beeper Responses
Operator is initially plugged-in (no travel limits stored)	Flash x 5
Reconnecting power (with travel limits stored)	Flash x 3
“RADIO SET” button is pressed	Beep x 1
Upon activation	Light On for 2.5 minutes
Upon activation by remote transmitters	Beep x 1, Light On for 2.5 minutes
Remote Transmitter / Keyless Entry PIN code accepted	Beep x 2
Operator is triggered without programming	Beep x 5
Door travels with abnormal speed	Beep x 12 (1 beep / second)
Photo Eye System is obstructed during door-closing	Beep x 20 Medium Beep
The door is obstructed during travel	Beep x 25 Rapid Beep

DOOR WILL NOT OPERATE FROM

A) Control Panel on the Unit

- » Check power, the courtesy light should flash upon re-connecting power.
- » IF NOT, check mains plug and fuse.
- » The Manual release is engaged.
- » Operation Direction (L/R) is set correctly.
- » Limits are correctly set, i.e. UP Limit for fully open position, DOWN Limit Switch for fully closed position.
- » Disengage and move the door manually to half-closed position, re-engage and try again.
- » Try operation with Handheld Transmitter.

B) On Handheld Transmitter

- » Check door operates correctly using the manual operate button on the unit to prove the system is okay.
- » Try re-programming Transmitter.
- » Check battery in Transmitter is correctly fitted, and the LED should illuminate upon key-press.
- » Try new battery.
- » Move aerial and try in different orientations, keeping away from steel structures and electrical cables.

DOOR OPERATES BUT FAILS TO FULLY OPEN OR REVERSES BEFORE CLOSING

- » Check manual operation for correct balance, not binding. Adjust if necessary.
- » Spray silicone lubricant into tracks. Do not grease.
- » Check/adjust safety sensitivity setting.
- » Check Limits.

BANGS HARD ON TRACK STOPS WHEN FULLY OPEN

- » Check UP Limit setting.
- » Adjust if necessary.

BANGS HARD ON GROUND AND REVERSES WHEN FULLY SHUT

- » Check DOWN Limit setting.
- » Adjust if necessary.

DOOR FAILS TO TRAVEL DOWN FROM OPEN POSITION - MOTOR RUNS AND ROLLER DOOR CURTAIN BALOONS

- » Check door curtain has smooth line of entry into tracks, as near vertical as possible.
- » Check door tension is not too great, reduce spring tension if necessary.
- » If the above does not cure the problem, then the door may require a weight bar to be fitted.

SHORT RANGE REMOTE CONTROL

- » Check battery is correctly fitted in Transmitter.
- » Try new battery.
- » Move aerial and try in different orientations, keeping away from steel structures and electrical cables.

DOOR OPERATES BUT FAILS TO FULLY OPEN BUT REVERSES TO CLOSED POSITION

- » Reset Limits.
- » Re-adjust Sensitivity Adjustment.

POWER FAILURE

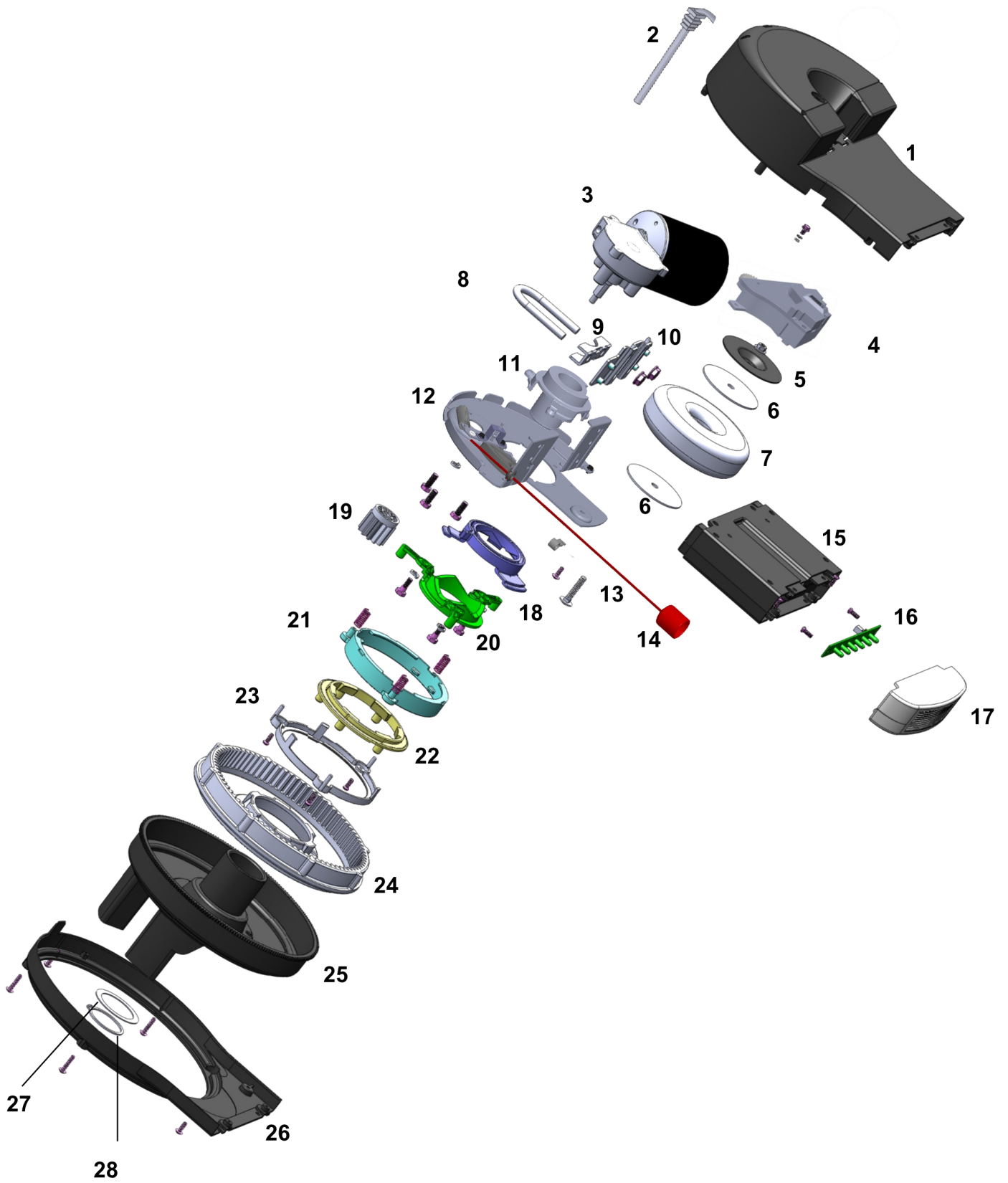
To disengage the operator

- » Pull the manual release (red handle) downwards.

To engage the operator

- » Pull the manual release handle downwards once again until a "click" is heard.

PARTS-BREAKDOWN



PART List

1	Enclosure	15	Control Console
2	Power Cord	16	LED Board
3	Motor	17	LED Cover
4	RPM Encoder	18	Clutch Levering
5	Transformer Mounting Plate	19	Drive Gear
6	Transformer Protection	20	Clutch Dock
7	Transformer	21	Clutch Release
8	U-bolt	22	Finger Dog
9	Saddle	23	Clutch Retainer
10	Saddle Mounting Plate	24	Sungear Driving Wheel
11	Chassis Core	25	Sun Gear
12	Chassis	26	Front Cover
13	Release Cord	27	Sungear Washer
14	Release Handle	28	Circlip

4D Garage Doors Pty Ltd

Warranty – 4DR1 v4

Important document: To be kept by the user of the Product

If you are a consumer under the Australian Consumer Law, 4D Garage Doors Pty Ltd (4D Doors) will provide you, the original purchaser of this 4DR1 v4(**Product**), with this limited warranty in addition to any rights that you have under Australian consumer protection laws. **This warranty is in addition to, and does not exclude, restrict or modify your guarantees and other legal rights under Australian Consumer law.** Our goods come with guarantees that cannot be excluded under the Australian Consumer Law.

You are entitled to a replacement or refund for a major failure and compensation for any other reasonably foreseeable loss or damage. You are also entitled to have the goods repaired or replaced if the goods fail to be of acceptable quality and the failure does not amount to a major failure.

This warranty only applies to Product sold by 4D Doors or an authorised dealer in Australia. An approved and authorised dealer meaning an approved reseller of 4D Doors' products purchased from 4D Doors for the purpose of supplying those products to the end consumer. This warranty document is not intended to create a contract between 4D Doors and the purchaser.

Except for this warranty, 4D Doors gives no warranties of any kind whatsoever (whether express or implied) in relation to the Product and all warranties relating to the Product are hereby excluded to the extent permissible by law. 4D Doors will not accept any additional warranties or conditions provided by others which attempt to modify the terms of this warranty.

Subject to your non-excludable rights under the Australian Consumer Law, 4D Doors expressly excludes any liability for consequential loss, incidental or indirect damages (including but not limited to damages for loss of business profits, business interruption and loss of business information) due to a defect of the Product. In particular, any loss or damage caused to other equipment or accessories used with the Product or any loss resulting from a delay in repair, is excluded to the extent permitted by law.

Conditions of Warranty

Subject to the terms of this warranty, 4D Doors warrants to the original purchaser that:

1. the Product will be free from defects in materials and workmanship for a period of 5 years from the date of purchase or 10,000 cycles (whichever occurs first) for the motor, and 3 years from the date of purchase or 6,000 cycles (whichever occurs first) for the electronics and mechanics. A cycle means one opening and closing cycle of the door.
2. the remote-controlled transmitters and accessories included with the Product will be free from defects in materials and workmanship for a period of 12 months from the date of purchase.
3. where the Product is installed by 4D Doors, the installation service is covered for a period of twelve months from defects in materials and workmanship.

Subject to the following conditions and any non-excludable statutory rights, 4D Doors will, at its option, either repair or replace any proven defects in materials or workmanship;

- (a) The garage door to which the Product is fitted must be "spring balanced" and able to be opened and closed by a force not exceeding 15 kilograms.
- (b) Proof of purchase must be presented.
- (c) The Product must have been serviced by a professional authorised by 4D Doors at intervals not exceeding 12 months (the cost of servicing is not covered by this warranty).
- (d) The Product is well maintained and kept in good working condition.
- (e) The supplier must be notified as soon as practicable of any defect covered by this warranty. If the Product was supplied by an authorised 4D Doors dealer and this dealer cannot be contacted, then notification must be made as soon as practicable to 4D Doors.
- (f) This Warranty is limited to Return-to-Base (RTB) repair and does not cover labour or associated costs for on-site attendance. The purchaser is responsible for the cost of returning the Product to the supplier or to 4D Doors. The purchaser is responsible for the cost of labour and any travel or other additional expenses incurred for any on-site attendance.
- (g) Any Product repaired or replaced during the warranty period will be covered by the terms of this warranty until the expiration of the original warranty period.
- (h) Where 4D Doors, or its Authorised Dealer, in its absolute discretion determines that a warranty claim is not being covered under the conditions of this warranty, then 4D Doors or its authorised dealer (as the case may be) reserves the right to charge for reasonable reimbursement of expenses for assessing the claim, and these must be paid by the purchaser before the Product will be returned (at the purchaser's expense)
- (i) This warranty is not transferrable.
- (j) Repairs may be conducted using refurbished components, and Products presented for repair may be replaced with refurbished products of similar type.
- (k) Products must be returned in original or suitably safe packaging.
- (l) This warranty is only applicable for repairs to Products in Australia.

What this warranty does not cover:

- (a) Corrosion: Damage from salt, water or any other form of corrosion.
- (b) Installation: damage or defect due to faulty installation of the Product (except where installed by 4D Doors).
- (c) Service: damage or defect due to a failure to properly service, care for or maintain the Product in accordance with the instruction manual.
- (d) Damage due to misuse (including failure to follow the instruction manual) or deliberate, negligent or accidental damage of any sort.
- (e) Modifications: 4D Doors will not be required to incorporate any modifications made to existing or future models.
- (f) Electrical Power: Any damage, issues or faults caused by electrical surge or fluctuation.
- (g) Problems that are directly or indirectly caused by or relate to the garage door or garage door hardware, which could include but are not limited to door springs, rollers, curtain wear, fixings and alignment.
- (h) Normal wear and tear.
- (i) Non-authorized repairs.
- (j) Acts or omissions of any person, including approved dealers, other than 4D Doors and its staff.
- (k) Travel Expenses: Expenses incurred by 4D Doors or its authorised dealer in travelling and or transporting Products to and from the location of the Product are not included and will be paid for by the purchaser.
- (l) Additional access or equipment required: Expenses incurred by 4D Doors or its authorised dealer required to provide clear access, or the equipment used to access the Product (for example: Lifting hardware such as forklift or scissor lift) are not covered by this warranty and must be paid for by the purchaser.
- (m) Frequency Interference: Where remote transmitters cannot operate the opener due to frequency interference at the location where the Product is installed.
- (n) Damage due to matters outside of the reasonable control of 4 D Doors including, but not limited to, rain, hail, flood, water, fire, insects or any other event beyond the reasonable control of 4D Doors.
- (o) Consumer Goods: Components such as globes, accessories, batteries and other consumable parts are not covered by this warranty.

What will void this warranty:

4D Doors will be relieved of all obligations, responsibilities and liabilities under this warranty if, in the opinion of 4D Doors, the defects in the Product result from:

- (a) Any modifications, repairs or works carried out to the Product which are not authorised by 4D Doors.
- (b) The fitment of any device to the Product which is not approved by 4D Doors.
- (c) Misuse or unreasonable use of the Product, as determined by 4D Doors.
- (d) Any use of the Product other than for residential application only (i.e. for use in a single-family dwelling or individual garages within an apartment complex).
- (e) Failure to follow any directions or instructions, including any warning notifications in instruction manuals or signs on or provided with the Product.

If any part of this warranty is or becomes illegal, void or unenforceable, this does not invalidate the rest of the warranty.

How to make a claim

Please be aware you are responsible for the expense of making a claim under this warranty.

To make a claim, if the Product was supplied to you directly from 4D Doors please forward a copy of your original receipt as proof of purchase and a completed warranty claim form to 4D Doors directly. If the Product was supplied by an authorised 4D Doors dealer, please provide the copy of your original receipt along with a completed warranty claim form to that dealer. If the authorised dealer cannot be contacted, then please contact 4D Doors and provide the copy of the receipt and the completed warranty claim form and 4D Doors will forward these to the relevant authorised dealer.

This warranty is supplied by 4D Doors Pty Ltd (ABN 96 659 631 559) at info@4ddoors.com

WARRANTY CETIFICATE			
Invoice No:		Installation Date:	
Your Name:		Phone No:	
Address:		State:	
Installed by:			
Motor Serial #:		Door Model:	
Please retain this completed warranty form along with your invoice as proof of purchase to validate you claim.			

ROLLER DOOR OPERATOR

4DR1 v4

4Ddoors

FOR HOME AND INDUSTRY

www.4doors.com.au